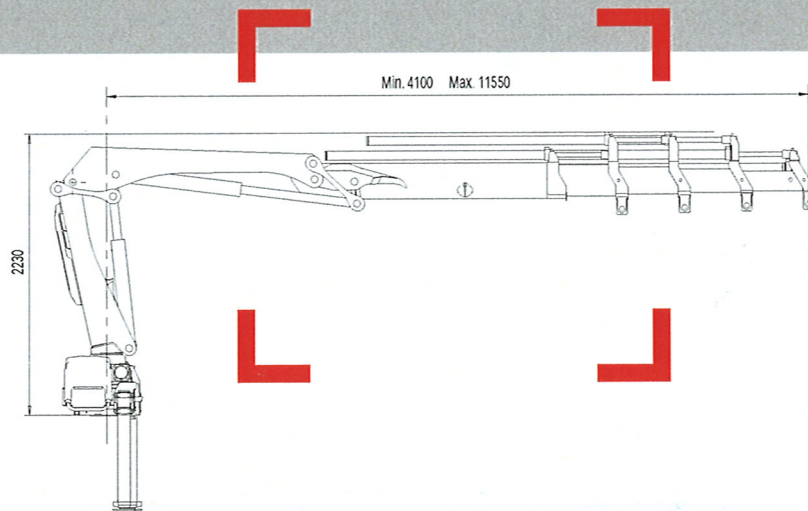


HIAB XS 077 Range 6-8 tm



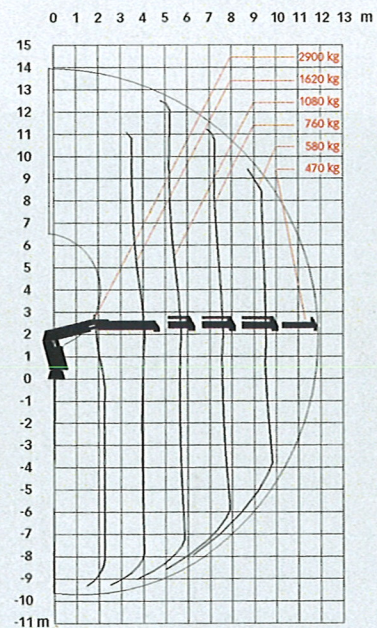
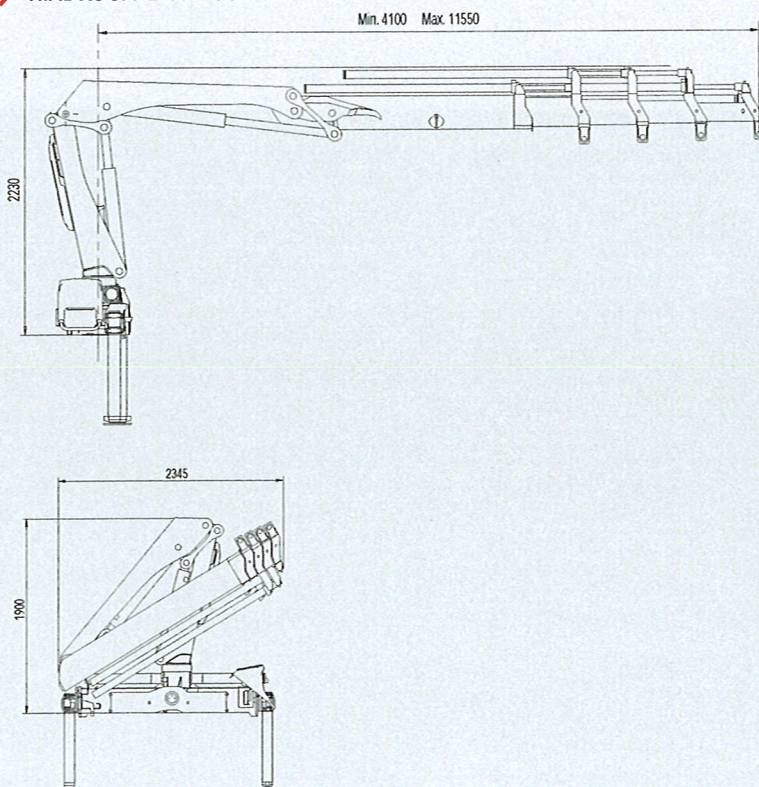
Basic data

HIAB XS 077 Basic data

Technical data

	B-3 CL	E-2 Duo	B-2 HiDuo	E-4 HiDuo
Max. lifting capacity (kNm)	58	65	71	65
Outreach - hydraulic extensions (m)	9.6	7.4	7.6	11.6
Outreach - manual extensions (m)	11.7	9.5 - 11.6	9.6 - 11.7	-
Outreach / Lifting capacity, standard (m / kg)	2.9 / 2050	2.0 / 3100	2.8 / 2600	2.2 / 2900
	3.8 / 1500	3.9 / 1700	3.8 / 1900	4.1 / 1620
	5.4 / 1020	5.5 / 1180	5.4 / 1320	5.7 / 1080
	7.3 / 740	7.4 / 860	7.2 / 980	7.6 / 760
	9.2 / 580	-	-	9.5 / 580
	-	-	-	11.5 / 470
Slewing angle	400°	400°	400°	400°
Height in folded position (mm)	1900	1900	1900	1900
Width in folded position (mm)	2190	2170	2170	2345
Installation space needed (mm)	700	675	675	675
Weight - "standard" crane without stabilizers (kg)	1060	970	970	1140
Weight - stabilizer equipment (kg)	135 - 205	135 - 205	135 - 205	135 - 205

HIAB XS 077 E-4 HiDuo



Disclaimer

Hiab cranes have been built to meet the highest standards of safety and service life and have been thoroughly tested. Strength calculations for this model have been carried out in accordance with EN 13001. Hiab's certified Quality Assurance System complies with the ISO 9001. Some of the items in our literature may be extra equipment. Certain applications may require an official permit. We reserve the right to change technical specifications without prior notice. Hiab cranes produced for EU-countries are CE-marked and comply with the European Standard EN 12999.