

D23-2001

ISSUE
E

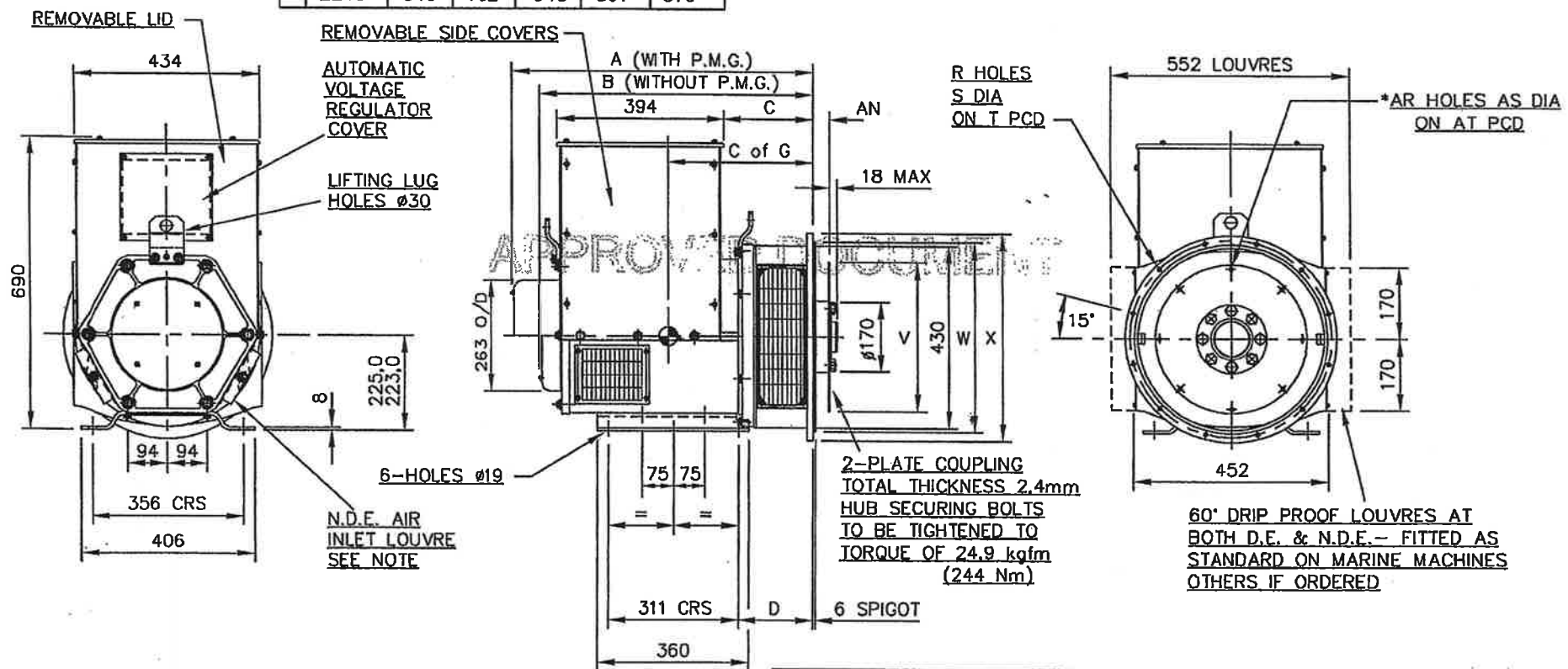
FIRST W.O.

IF IN DOUBT-ASK
DO NOT SCALE

FRAME	DIMENSIONS					NETT WT (Kg)
	A	B	C	C of G		
224C	724,3	661,3	224,3	323	271	
224D	724,3	661,3	224,3	333	284	
224E	814,3	751,3	314,3	348	311	
224F	814,3	751,3	314,3	358	331	
224G	859,3	796,3	359,3	373	381	
SAE1						
224C	710	647	210	311	269	
224D	710	647	210	321	282	
224E	800	737	300	336	309	
224F	800	737	300	346	329	
224G	845	782	345	361	379	
SAE2,3&4						

S.A.E No.	FLANGE ADAPTORS					
	D	R	S	T	W	X
1	191,3	12	12,7	530,2	511,1	553
2	177	12	11	466,7	447,6	490
3	177	12	11	428,6	409,5	451
4	177	12	11	381	361,9	403

S.A.E No.	DISC COUPLINGS					
	AN	AR	AS	AT	V	
8	61,9	6	*11	244,4	263,4	
10	53,98	8	*11	295,3	314,2	
11,5	39,68	8	*11	333,3	352,3	
14	25,40	8	13,5	438,2	466,6	



4-8664-02	E	USD	18.09.06	CHANGE OF COMPANY NAME
4/2427/4	D	JWS	12.8.99	*Ø11 WAS Ø10.3 FOR "AS" DIM'N. SAE 8 CPL'G. DISCS FROM 10/10/99
4/2427/3	C	JWS	27.5.99	*Ø11 WAS Ø10.3 FOR "AS" DIM'N. SAE 10 & 11.5 CPL'G. DISCS FROM 27/06/99
3/6659/6	B	JES	22/2/91	REFERENCE TO DELCO DISC COUPLINGS REMOVED. 18 MAX DIM WAS 14 MAX
3/6659	A	JES	28/1/91	ORIGINAL ISSUE
MOD.	ISSDRN	DATE	ALTERATION	

CERTIFIED PRINT
(ONLY IF SIGNED)
BY
DATE
DRAWN JES 28/1/91
CH'D
APP'D

UC224-C/D/E/F/G
ALTERNATOR
SINGLE BEARING MACHINE
WITH UNIVERSAL FOOT
CUMMINS GENERATOR TECHNOLOGIES LTD
STAMFORD, ENGLAND

SCALE
1:10

FIRST W.O.

D23-2001

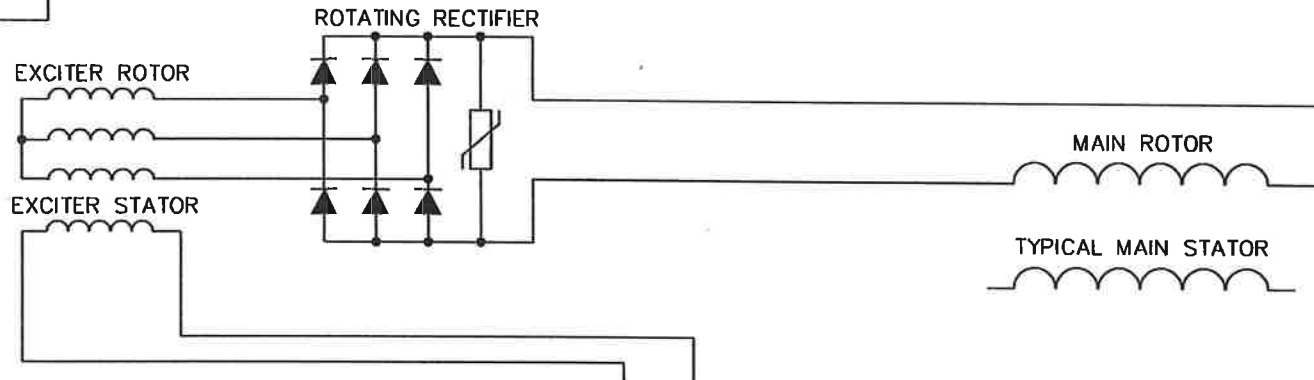
ISSUE
E

A7-1460

ISSUE
E

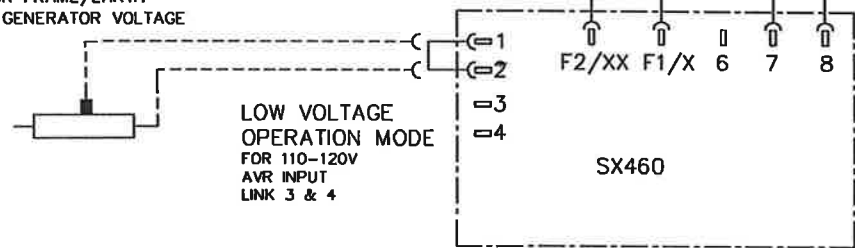
IF IN DOUBT-ASK

FIRST W.O.



DETAILS OF THE
MAIN STATOR AND
MAIN TERMINAL
CONNECTIONS
ARE SHOWN ON
SEPARATE
WIRING DIAGRAM

HAND TRIMMER (when required)
REMOVE LINK 1-2 BEFORE CONNECTING
USE TWO-CORE TWISTED-PAIR SCREENED CABLE (RATED 250Vac/1A)
CONNECT CABLE SCREEN TO GENERATOR FRAME/EARTH
CLOCKWISE (CW) ROTATION INCREASES GENERATOR VOLTAGE



APPROVED DOCUMENT

BASE DIAGRAM

1-8664-01	E	USD	14.09.06	CHANGE OF COMPANY NAME
4-8167-01	D	AV	01:11:05	LEAD 6 REMOVED
4/6702/03	C	GTK	27.10.2004	HAND TRIMMER NOTE AMENDED
3/9762	B	S.H.	4:1:95	LEAD 6 ADDED
3/8192	A	P.N.	5:1:93	ORIGINAL ISSUE
MOD.	ISS.	DRN.	DATE	ALTERATION

CERTIFIED PRINT (ONLY IF SIGNED)		FRAME ---	OTHER FEATURES
BY		CONTROL SERIES SX460	
DATE		POLES	
DRAWN P.N. 05.01.93		No. OF ENDS ---	
CHK'D PJW 30.10.06	APP'D DPC 30.10.06	SENSING 2 PHASE	
CUMMINS GENERATOR TECHNOLOGIES LTD.			A7-1460
			ISSUE E
			SHEET 1 OF 1 SHEETS

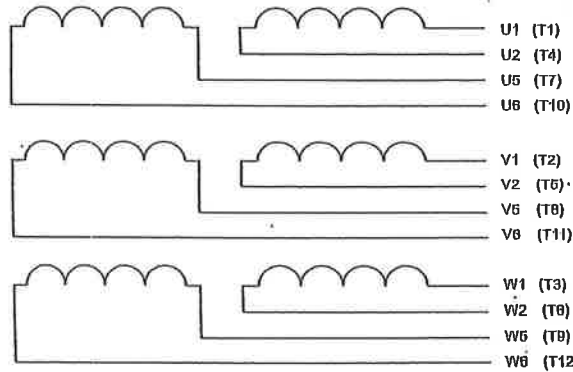
DA7-A100

ISSUE J

IF IN DOUBT- ASK

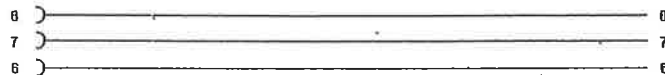
FIRST W.O.

MAIN STATOR (12 ENDS)



(T1) = NEMA EQUIVALENT

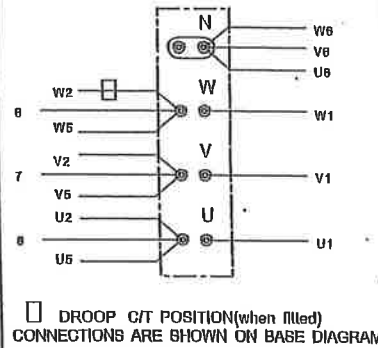
CONNECT TO AVR



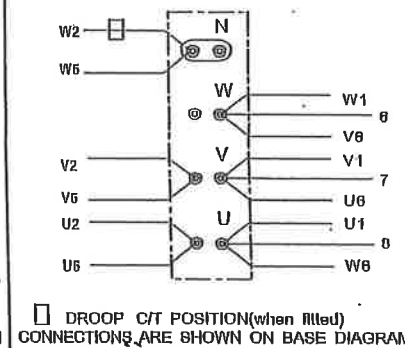
DEPENDING ON AVR TYPE MULTIPLE LEADS(6,7,0) WILL BE REQUIRED. LEAD 6 MAY NOT BE REQUIRED. FULL DETAILS ARE SHOWN ON THE BASE DIAGRAM.

MAIN TERMINAL CONNECTIONS

SERIES STAR 3PH 4W
OUTPUT TERMINALS U.V.W.N.



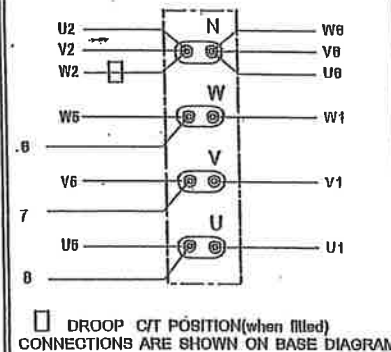
SERIES DELTA 3PH 4W
OUTPUT TERMINALS U.V.W.N.



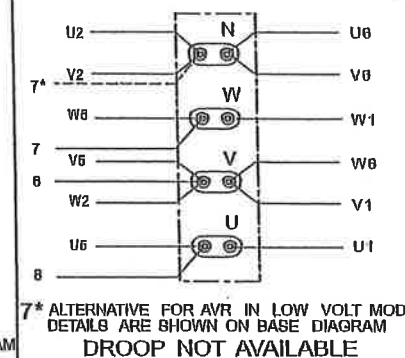
ALL CONNECTIONS

FOR ALTERNATIVE C/T POSITIONS REFER TO THE FACTORY

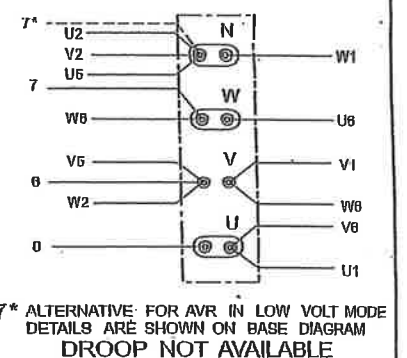
PARALLEL STAR 3PH 4W
OUTPUT TERMINALS U.V.W.N.



PARALLEL ZIG ZAG 1PH 3W
OUTPUT TERMINALS HIGH VOLTS U.W
LOW VOLTS U.N. AND W.N.



DOUBLE DELTA 1PH 3 WIRE
OUTPUT TERMINALS HIGH VOLTS U.W
LOW VOLTS U.N. AND W.N.



CONNECTION DIAGRAM

4/3472/1	J	SMH	29:08:01	ALTERNATIVE C/T POSITION ADDED
3/8984	H	SMH	11:04:85	DOUBLE DELTA CONNECTION—CENTRE POINT CHANGED FROM W TO N
3/8728	G	SMH	13:12:84	DOUBLE DELTA CONNECTION BROUGHT IN LINE WITH STATOR LEAD EXIT POSITIONS
3/8672	F	SMH	17:10:84	OUTPUT TERMINALS— PARALLEL ZIG ZAG AND DOUBLE DELTA CHANGED
3/8324/1	E	SMH	04:07:84	DOUBLE DELTA— NOW IN LINE WITH LINK BOARD VERSION
3/8846/2	D	MLW	25.01.84	PARALLEL ZIG ZAG ADDED
3/8182	A	P.N.	05:01:83	A 3/8182, B 3/8428, C 3/8846/1
MOD.	ISS.	DRN.	DATE	ALTERATION

CERTIFIED PRINT (ONLY IF SIGNED)		
BY		
DATE		
DRAWN	P.N.	8:1:83
CH'D		
APP'D		

FRAME	---
CONTROL	SERIES ---
POLES	
No. OF ENDS	12
SENSING	2/3 PHASE
NEWAGE INTERNATIONAL Ltd STAMFORD, ENGLAND	

OTHER FEATURES	
DA7-A100	ISSUE J
SHEET 1 OF 1 SHEETS	