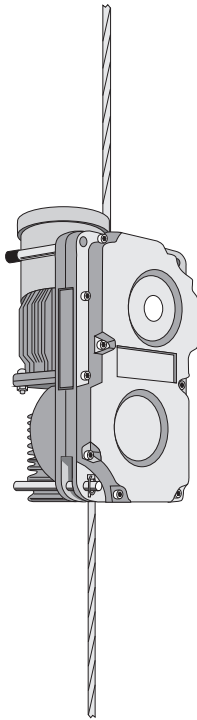
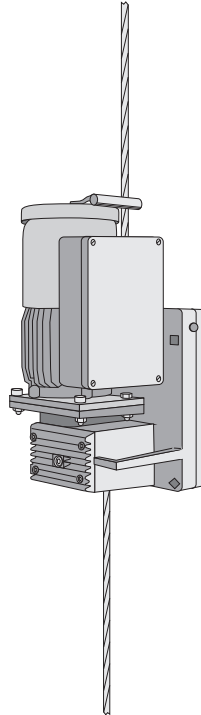


tirak™

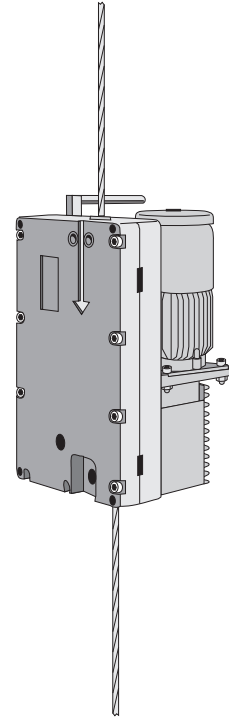
Electrically driven rope traction hoists for wire ropes for material transportation
Elektrisch angetriebene Seildurchlaufwinden für Drahtseile zur Materialbeförderung
Trebuis électriques à défilement continu pour câbles métalliques pour le transport de matériaux
Elektrisch aangedreven kabeldoorloopieren voor draadkabels voor het materiaaltransport



Model series /
Typenreihe /
Série /
Serie
T 1000, T 1020



Model series /
Typenreihe /
Série /
Serie
X 300, X 400, X 500,
X 800, X 1020, X 1230, X 1530



Model series /
Typenreihe /
Série /
Serie
X 3050

EN

Original Operation and
Installation Manual

FR

Manuel d'installation et de
manutention original

DE

Original-Montage- und
Betriebsanleitung

NL

Originele montage- en
bedieningshandleiding

Technical Data / Technische Daten / Données techniques / Technische gegevens

EN	Hoist	Maximum working load ⁽⁴⁾	Wire rope speed ⁽⁶⁾	Connection			Power	Nominal current	tirak™ rope		Weight	Dimensions / unit size (Fig. 2 and Fig. 3)				Temperature range ⁽³⁾	Noise ⁽²⁾	
									Diameter	Minimum breaking load ⁽⁵⁾								
DE	Winde	Maximale Betriebslast ⁽⁴⁾	Seilgeschwindigkeit ⁽⁶⁾	Anschluss			Leistung	Nennstrom	tirak™-Seil		Gewicht	Abmessungen / Einbaumaße (Abb. 2 und Abb. 3)				Temperaturbereich ⁽³⁾	Geräuschentwicklung ⁽²⁾	
									Durchmesser	Mindestbruchkraft ⁽⁵⁾								
FR	Treuil	Capacité de charge maximale de fonctionnement ⁽⁴⁾	Vitesse du câble ⁽⁶⁾	Branchement			Puissance	Courant nominal	tirak™ câble		Poids	Dimensions / Cotes de montage (Fig. 2 et Fig. 3)				Plage de température ⁽³⁾	Emission sonore ⁽²⁾	
									Diamètre	Effort de rupture minimal ⁽⁵⁾								
NL	Lier	maximale bedrijfslast ⁽⁴⁾	Kabelfelnsnelheid ⁽⁶⁾	Aansluiting			Vermogen	Nominale stroom	tirak™ kabel		Gewicht	Afmetingen / inbouwmaten (Afb. 2 en Afb. 3)				Temperatuurbereik ⁽³⁾	Geluidsontwikkeling ⁽²⁾	
									Diameter	Min. breukkracht ⁽⁵⁾								
		kg	m/mi n	230 V 50 Hz	400 V 50 Hz	400 V 60 Hz	kW	A	mm	kN	kg	a	b	c	x/y	°C	dB(A)	
X 300	X 300	300	9	-	x	-	0,5	1,6	8	14,7	27	437	262	265	~250/250	-10 ... +50 ⁽¹⁾	72	
	X 301		9	x	-	-	0,45	4,5				29	476	257				245
	X 302		18	-	x	-	0,9	2,6				27	437	262				265
X 400	X 400	400	9	-	x	-	0,75	2,8	8	19,6	29	437	273	285	~250/250	-15 ... +70	72	
	X 401		9	x	-	-	0,75	6,5				32						452
	X 402		18	-	x	-	1,5	5				31						496
	X 403		9/18	-	x	-	0,75/1,5	2,8/5,1				35						452
X 500	X 500	500	9	-	x	-	0,9	2,8	8	24,5	40	489	297	265	~250/250	-10 ... +50 ⁽¹⁾	70	
	X 501		9	x	-	-	0,9	6,5				49		556				256
	X 502		18	-	x	-	1,8	5				43		504				265
	X 503		9/18	-	x	-	0,9/1,8	2,8/5,1				47		504				285
X 800	X 800	800	9	-	x	-	1,6	4,5	8	39,2	45	525	297	265	~250/250	-10 ... +50 ⁽¹⁾	70	
	X 803		9/18	-	x	-	1,75/3,5	4/8				49	550	297				285
	X 805		4,5/9	-	x	-	0,8/1,6	3/4,2				50	563	304				285
	X 806		9/18	-	x	-	0,8/3,2	3,6/9				71	603	328				315
T 1000	T 1000	980	9	-	x	-	1,9	4,6	8	48,1	71	580	336	265	~250/250	-10 ... +50 ⁽¹⁾	70	
	T 1003		9/18	-	x	-	1,9/3,8	5,5/9,5				85	642	355				285
	T 1005		4,5/9	-	x	-	0,9/1,9	3,6/4,6				84	642	355				285
	T 1006		4,5/18	-	x	-	0,9/3,8	4/9,7				94	679	386				315

EN	Hoist	Maximum working load ⁽⁴⁾	Wire rope speed ⁽⁶⁾	Connection			Power	Nominal current	tirak™ rope		Weight	Dimensions / unit size (Fig. 2 and Fig. 3)				Temperature range ⁽³⁾	Noise ⁽²⁾	
									Diameter	Minimum breaking load ⁽⁵⁾		Diameter	Minimum breaking load ⁽⁵⁾	a	b			c
DE	Winde	Maximale Betriebslast ⁽⁴⁾	Seilgeschwindigkeit ⁽⁶⁾	Anschluss			Leistung	Nennstrom	tirak™-Seil		Gewicht	Abmessungen / Einbaumaße (Abb. 2 und Abb. 3)				Temperaturbereich ⁽³⁾	Geräuschentwicklung ⁽²⁾	
									Durchmesser	Mindestbruchkraft ⁽⁵⁾		Durchmesser	Mindestbruchkraft ⁽⁵⁾	a	b			c
FR	Treuil	Capacité de charge maximale de fonctionnement ⁽⁴⁾	Vitesse du câble ⁽⁶⁾	Branchement			Puissance	Courant nominal	tirak™ câble		Poids	Dimensions / Cotes de montage (Fig. 2 et Fig. 3)				Plage de température ⁽³⁾	Emission sonore ⁽²⁾	
									Diamètre	Effort de rupture minimal ⁽⁵⁾		Diamètre	Effort de rupture minimal ⁽⁵⁾	a	b			c
NL	Lier	maximale bedrijfslast ⁽⁴⁾	Kabelfnelheid ⁽⁶⁾	Aansluiting			Vermogen	Nominale stroom	tirak™ kabel		Gewicht	Afmetingen / inbouwmaten (Afb. 2 en Afb. 3)				Temperatuurbereik ⁽³⁾	Geluidsontwikkeling ⁽²⁾	
									Diameter	Min. breukkracht ⁽⁵⁾		Diameter	Min. breukkracht ⁽⁵⁾	a	b			c
		kg	m/min	230 V 50 Hz	400 V 50 Hz	400 V 60 Hz	kW	A	mm	kN	kg	mm	mm	mm	mm	°C	dB(A)	
T 1020	T 1020	980	9	-	x	-	1,9	4,6	9	48,1	71	580	336	311	~250/250	-10 ... +50 ¹⁾	70	
	T 1023		9/18	-	x	-	1,9/3,8	5,5/9,5				85	642	355				348
	T 1025		4,5/9	-	x	-	0,9/1,9	3,6/4,6				84	642	355				318
	T 1026		4,5/18	-	x	-	0,9/3,8	4/9,7				94	679	386				348
X 1020	X 1020	980	9	-	x	-	1,9	4,6	9	48,1	45	525	297	265	~250/250	-15 ... +70	70	
	X 1023		9/18	-	x	-	1,9/3,8	4,5/8,5				56	563	307				315
	X 1025		4,5/9	-	x	-	0,9/1,9	3,5/4,8				55	563	307				285
	X 1026		4,5/18	-	x	-	0,9/3,8	4/9,6				71	605	332				315
X 1230	X 1230	1250	11	-	-	x	2,7	5,9	10	73,6	49	522	297	285	~250/250	-15 ... +70	70	
	X 1233		9/18	-	x	-	1,8/3,6	3,2/6,0										
X 1530	X 1530	1500	9	-	x	-	2,8	7	10	73,6	49	522	297	285	~250/250	-15 ... +70	78,5	
X 3050	X 3050	3000	6	-	x	-	3,8	9,9	14	147,2	105	669	400	372	~250/250	-15 ... +70		
	X 3052		12	-	x	-	7,5	17				117	681	403				372
	X 3053		6/12	-	x	-	3,8/7,5	9,9/19			156	786	428	442				

Table/Tabelle/Tableau/Tabel 1

EN

- Expanded temperature range on request
- at a distance of 1 m
- Depending on the ambient conditions (ambient temperature, sunrays, etc.) as well as the possible thermal discharge (dirt, accumulated heat, etc.)
- X-model series with load bearing capacity of 1,000 kg or greater: with mechanical load limiting device; X-model series up to 1000 kg load carrying capacity: mechanical or electric load limiting device can be supplied as an option. T-Model series: electric load limiting device can be supplied as an option.

- 5) Calculation of the required minimum breaking load F_o of the rope (does not correspond to the actual, manufacturer-specific minimum breaking load!)
 $F_o = Z_p \times S$ F_o : smallest guaranteed breaking load of the wire rope [N]
 $F_o = 5 \times S$ Z_p : = 5: Expansion coefficient of the wire rope
 S : maximum static load on the wire rope [N] (maximum working load of the hoist, 1 kg = 9.81 N)
- 6) In accordance with DIN 15020 the devices correspond to drive group 1 B_m at rope speeds of up to 9 m/min, and to drive group 1 C_m at a rope speed exceeding 9 m/min. The average operating time per day with relation to a year (operating time class) depends on the actual load (load spectrum).

DE

- 1) erweiterter Temperaturbereich auf Anfrage
 2) in 1 m Abstand
 3) Abhängig von den Umgebungsbedingungen (Umgebungstemperatur, Sonneneinstrahlung, etc.) sowie der möglichen Wärmeabfuhr (Schmutz, Stauwärme, etc.)
 4) X-Typenreihe ab 1000 kg Tragfähigkeit: mit mechanischer Hubkraftbegrenzung; X-Typenreihe bis 1000 kg Tragfähigkeit: mechanische oder elektronische Hubkraftbegrenzung optional lieferbar. T-Typenreihen: elektronische Hubkraftbegrenzung optional lieferbar.
 5) Berechnung der erforderlichen Mindestbruchkraft F_o des Seiles (entspricht nicht der tatsächlichen, herstellereigenen Mindestbruchkraft!)
 $F_o = Z_p \times S$ F_o : kleinste garantierte Bruchlast des Drahtseils [N]
 $F_o = 5 \times S$ Z_p : = 5: Ausnutzungskoeffizient des Drahtseils
 S : maximale statische Zuglast im Drahtseil [N] (maximale Betriebslast der Winde, 1 kg = 9,81 N)
- 6) Geräte entsprechen gemäß DIN 15020 bei Seilgeschwindigkeiten bis 9 m/min der Triebwerksgruppe 1 B_m, über 9 m/min Seilgeschwindigkeit der Triebwerksgruppe 1 C_m. Die mittlere Laufzeit je Tag bezogen auf ein Jahr (Laufzeitklasse) ist abhängig von der tatsächlich auftretenden Belastung (Lastkollektiv).

FR

- 1) Extension de la plage de température sur demande
 2) A une distance de 1 m
 3) En fonction des conditions ambiantes (température ambiante, exposition à la lumière du soleil, etc.) et de l'évacuation de la chaleur possible sur le site (saleté, accumulation de chaleur, etc.)
 4) Série X à partir d'une capacité de charge de 1000 kg : avec limitation mécanique de la force de levage ; série X jusqu'à une capacité de charge de 1000kg : limitation électronique de la force de levage disponible en option. Série T : limitation électronique de la force de levage disponible en option.
 5) Calcul de l'effort de rupture minimal requis F_o du câble (ne correspond pas à l'effort de rupture minimal effectif et spécifique du fabricant!) :
 $F_o = Z_p \times S$ F_o : Charge de rupture minimale garantie du câble métallique [N]
 $F_o = 5 \times S$ Z_p : = 5: Coefficient d'utilisation du câble métallique
 S : Charge statique maximale du câble métallique [N]
 (capacité de charge maximale de fonctionnement du treuil, 1 kg = 9,81 N)
- 6) Appareils conformément à DIN 15020 pour les vitesses de défilement du câble jusqu'à 9 m/min dans la catégorie de mécanismes de treuil 1 B_m, vitesse de défilement du câble supérieure à 9 m/min dans la catégorie de mécanismes de treuil 1 C_m. La durée de vie moyenne par jour rapportée à un an (classe de durée de vie) est fonction de la charge réelle sur le câble (spectre de charge).

NL

- 1) uitgebreid temperatuurbereik op aanvraag
 2) op 1 m afstand
 3) Afhankelijk van de omgevingsfactoren (omgevingstemperatuur, zonnestraling etc.) en van de mogelijke warmteafvoer (vuil, warmtestuwing etc.).
 4) X-type serie vanaf 1000 kg draagvermogen: met mechanische hefkrachtbegrenzing; X-typeserie tot 1000 kg draagvermogen: mechanische of elektronische hefkrachtbegrenzing optioneel leverbaar. T-typeseries: elektronische hefkrachtbegrenzing als optie leverbaar.
 5) Berekening van de minimum breukkracht F_o van de kabel (komt niet overeen met de daadwerkelijke fabrikant-specifieke min. breukkracht!)
 $F_o = Z_p \times S$ F_o : kleinste gegarandeerde breuklast van de draadkabel [N]
 $F_o = 5 \times S$ Z_p : = 5: Belastingcoëfficiënt van de draadkabel
 S : maximale statische treklast in draadkabel [N]
 (maximale bedrijfslast van de lier, 1 kg = 9,81 N)
- 6) Apparaten voldoen volgens DIN 15020 bij kabelsnelheden tot 9 m/min aan de eisen van de drijfwerkgroep 1 B_m, boven 9 m/min kabelsnelheid aan de eisen van drijfwerkgroep 1 C_m. De gemiddelde looptijd per dag gerelateerd aan een jaar (looptijdklasse) is afhankelijk van de daadwerkelijk optredende belasting (collectieve belasting).

EN	Hoist	Filling quantity (transmission oil)	Oil type
DE	Winde	Füllmenge (Getriebeöl)	Ölsorte
FR	Treuil	Quantité de remplissage (huile pour engrenages)	Type d'huile
NL	Lier	Vulhoeveelheid (transmissieolie)	Oliesoort
	X 300 ¹⁾	1,4 l	Aral HYP85W-140, -10...+50 °C SAE85W-140-GL5
	X 400 ²⁾	1,4 l	Klübersynth GH6 460, -15...+70 °C CLPPG / PGLP ISO VG 460
	X 500, X 800, T 1000, T 1020 ¹⁾	2,0 l	Aral HYP85W-140, -10...+50 °C SAE85W-140-GL5
	X 1020, X 1230, X 1530 ²⁾	2,0 l	Klübersynth GH6 460, -15...+70 °C CLPPG / PGLP ISO VG 460
	X 3050 ²⁾	5,0 l	Klübersynth GH6 460, -15...+70 °C CLPPG / PGLP ISO VG 460

Table/Tabelle/Tableau/Tabel 2

- ¹⁾ Oil drain plug with socket head screw (mineral oil) / Ölablassschraube mit Innensechskant (mineralisches Öl) / vis de vidange d'huile à six pans creux (huile minérale) / olieaftapschroef met inbus (minerale olie)
- ²⁾ Oil drain plug with hexagon head screw (synthetic oil) / Ölablassschraube mit Sechskant (synthetisches Öl) / vis de vidange d'huile à six pans (huile synthétique) / olieaftapschroef met zeskant (synthetische olie)

Rope weight Seilgewichte Poids des câbles Kabelgewichten	Rope design Konstruktion des Seils Construction du câble Constructie van de kabel	
Nominal diameter Nenndurchmesser Diamètre nominal Nominale diameter	Standard Standard Standard Standaard	Rotation-resistant Drehungsarm Antigiratoire Verdraaiingsarm
[mm]	[kg/m]	[kg/m]
6	0,172	0,160
8	0,270	0,280
9	0,340	0,360
10	0,400	0,480
14	0,702	0,900

Table/Tabelle/Tableau/Tabel 3

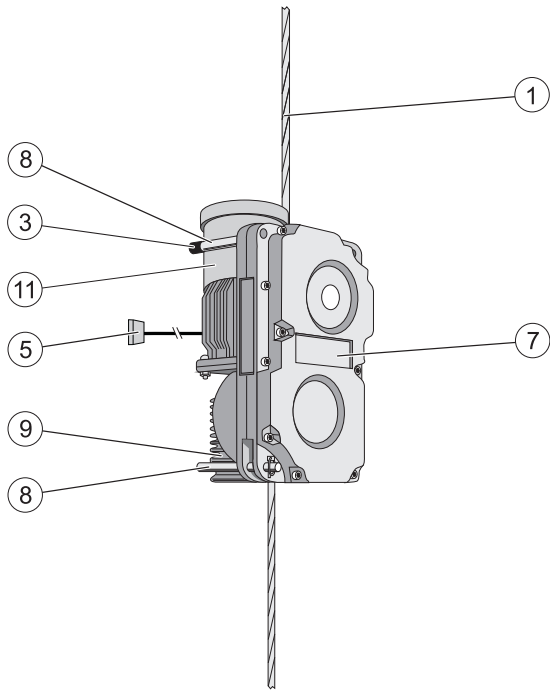
EN

DE

FR

NL

Components / Bestandteile / Composants / Bestandteilen



00136/0

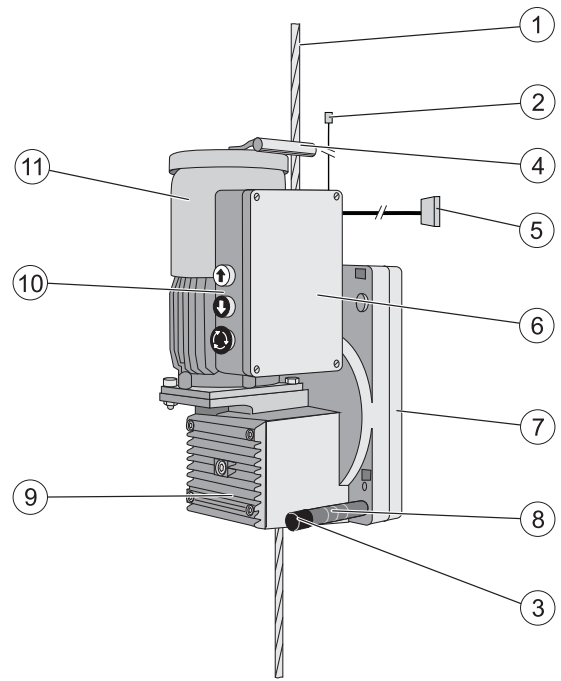
Model series / Typenreihe / Série / Serie

T 1000

T 1020

Model series / Typenreihe / Série / Serie

X 3050



00134/0

Model series / Typenreihe / Série / Serie

X 300

X 400

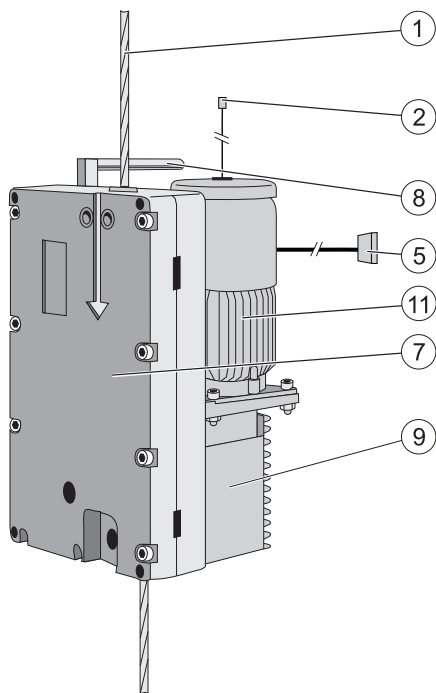
X 500

X 800

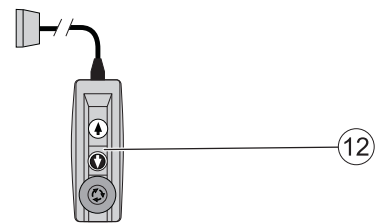
X 1020

X 1230

X 1530



00135/0



00137/1

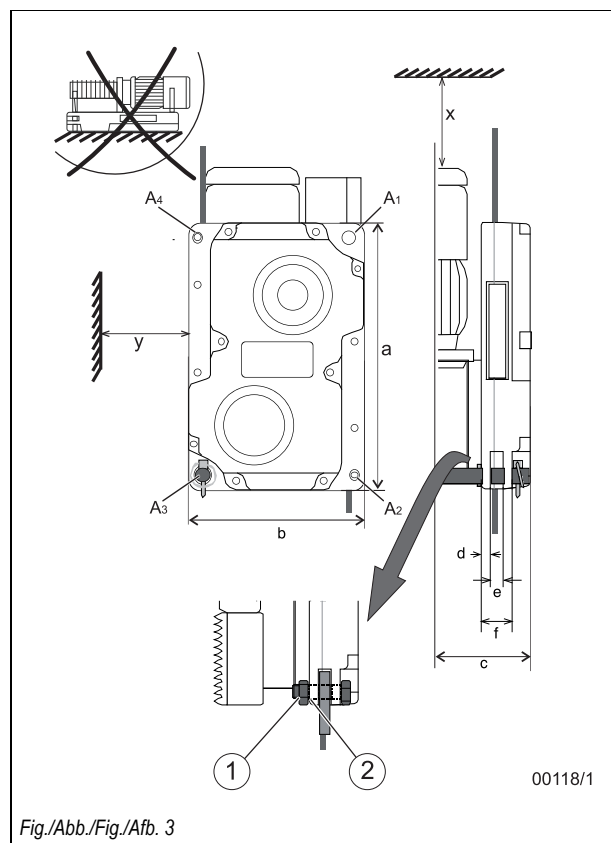
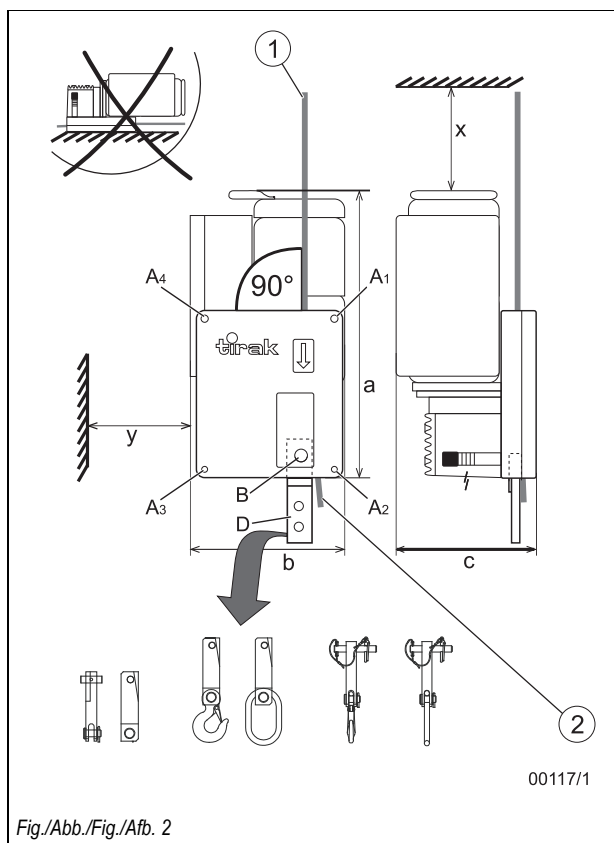
Fig./Abb./Fig./Afb. 1

EN

DE

FR

NL



EN

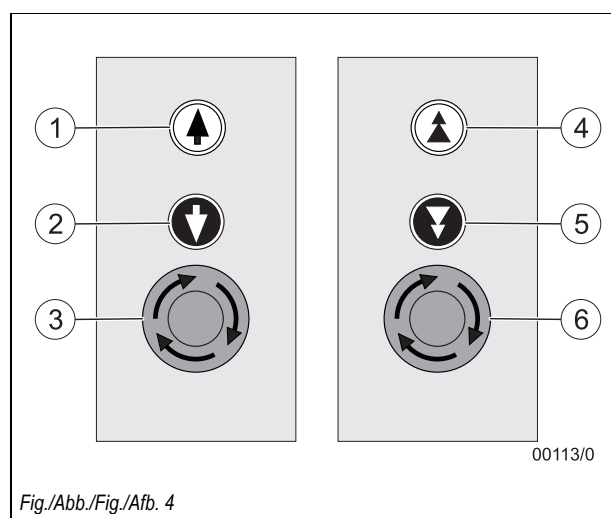
DE

FR

NL

	Model series / Typenreihe / Série / Serie			
	X 300 X 400	X 500 X 800 X 1020 X 1230 X 1530	T 1000 T 1020	X 3050
Distance / Abstand / Distance / Afstand [mm]				
A1-A2	255	300	449	570
A2-A3	220	267	250	360
A1-A4	220	267	250	360
d	-	19	14	27
e	-	26	28	40
f	60	60	56	117
Screw / Schraube / Vis / Schroef				
A	M10	M10	M16	M16
B	-	M16	-	M30
Adapter	M12	M12	-	-
Festigkeit / Strength / Résistance / Sterkte	8.8	8.8	8.8	8.8

Table/Tabelle/Tableau/Tabel 4

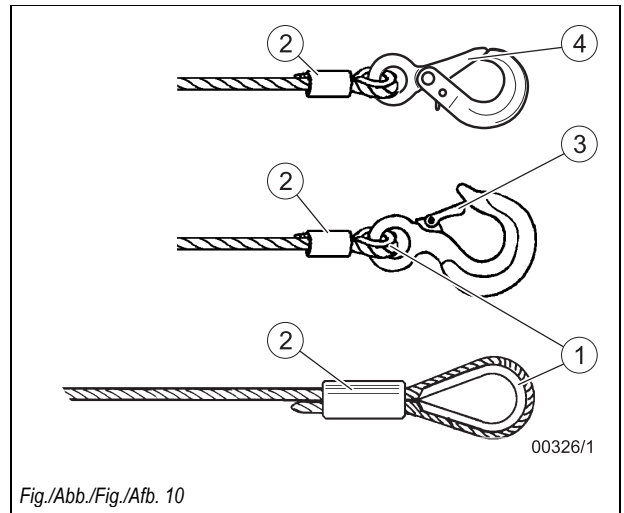
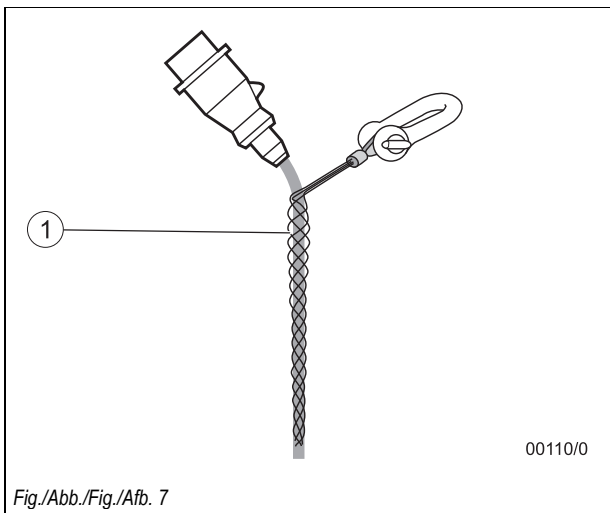
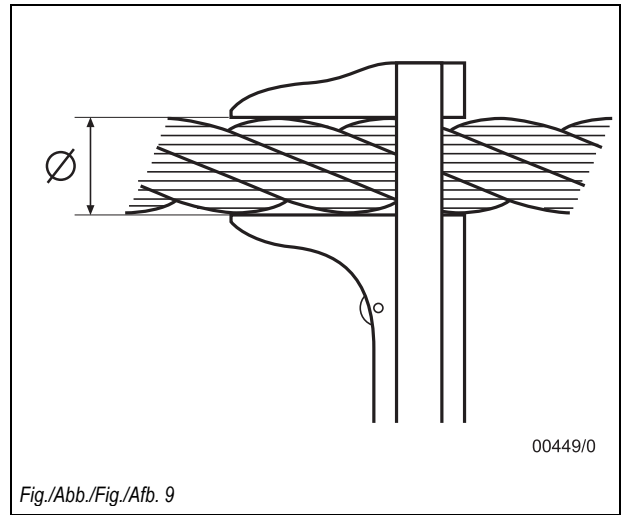
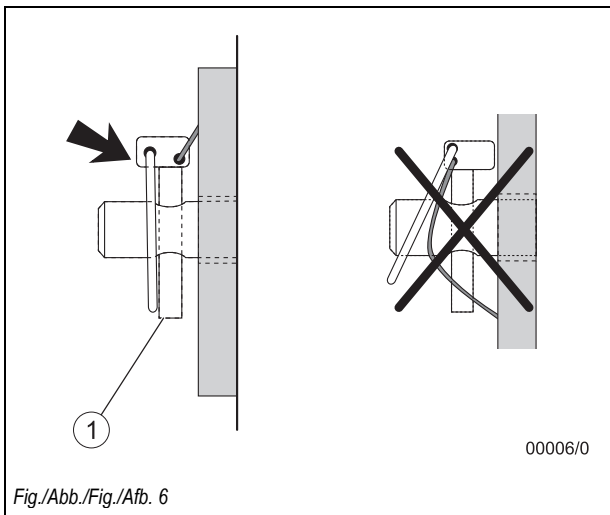
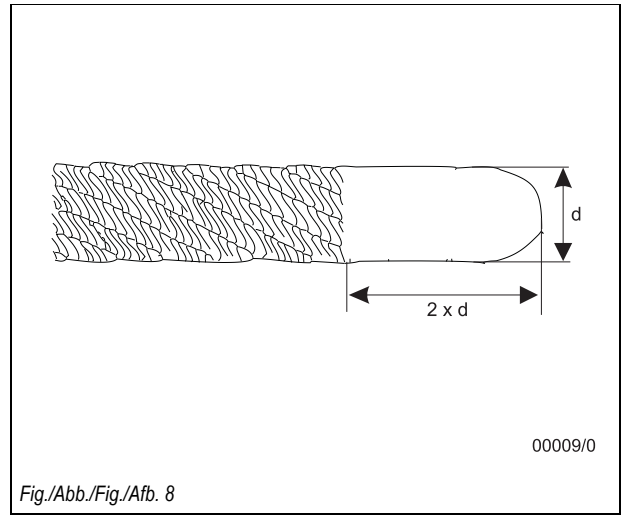
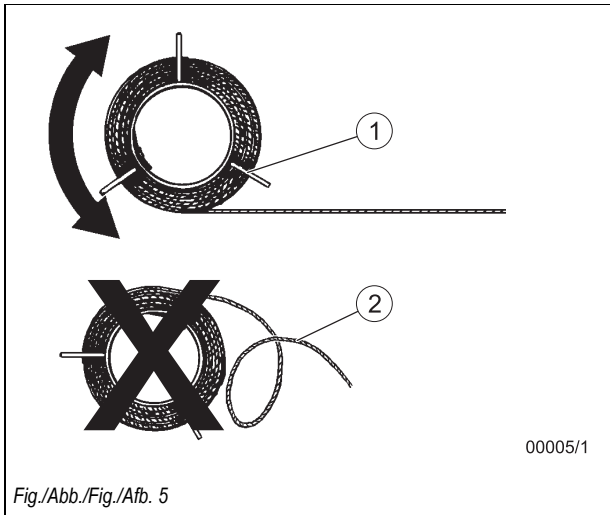


EN

DE

FR

NL



1

2

3

4

5

1

2

3

4

5

1

Ø
8
mm

2

tirak™
Seildurchlaufwinde
Motorized traction hoist

Type(s):

kg kg

Original tirak™ Seil / rope Ø: mm

Seilgeschwindigkeit:
Rope speed: m/min

Fabr.Nr.: Baujahr: 20
Serial No.: Year of man.:

Bei Rückfragen/Ersatzteilbestellungen
bitte Typ und Fabr.Nr. angeben!
In case of queries / spare part orders
please mention type and serial number!

Tractel GmbH
Schleitersstraße 19-21
D-51469 Bergisch Gladbach
0241 103510

3

<input type="checkbox"/> Brennstoff	<input type="checkbox"/>
Leistung	IV
Motorart	Nm

4

Tractel Greifzug GmbH Bergisch Gladbach	
Type	Nr.
E-Mot.	60 Hz
U	
WW	cos φ
V	
Schub	Schutzart IP 55
	P. In/Out

5

Notablaß
Brandsicherheitsbed.
im Handgriff
Emergency Descent
Brake release lever
in tirak™ handle
Descente d'urgence
Manette de commande du frein
dans le poignée de portage

6

Tractel GmbH

Order No.:

Seq. No.:

Ø (mm):

length (m):

construction:
S245 103510 10/09

00119/1

Fig./Abb./Fig./Afb. 11

1

2

3

4

5

6

00008/0

Fig./Abb./Fig./Afb. 13

- EN
- DE
- FR
- NL

1

2

1

2

00130/1

Fig./Abb./Fig./Afb. 12

1

2

3

4

00023/0

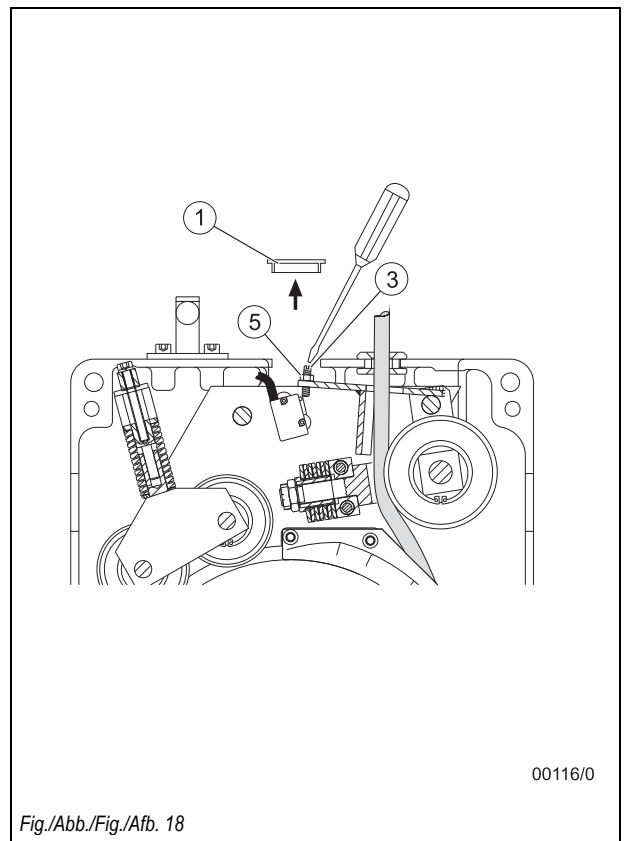
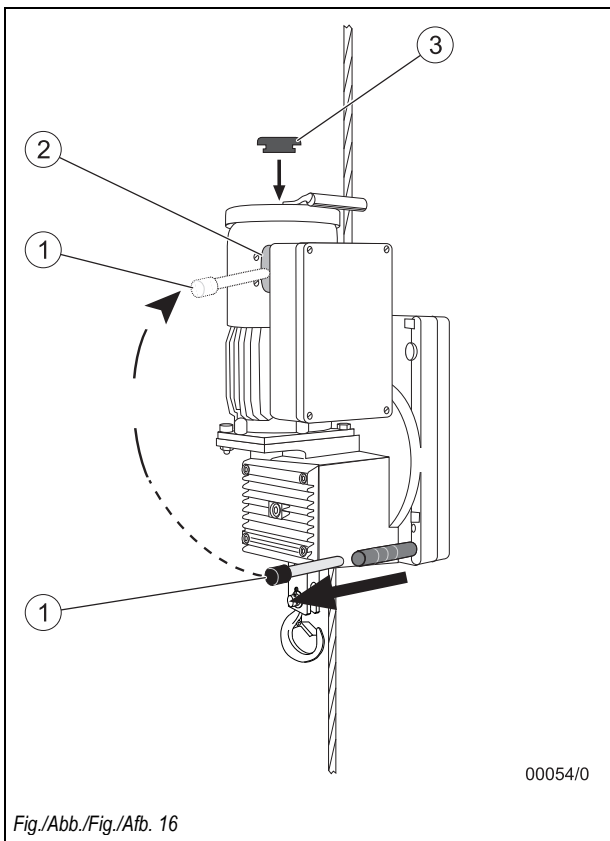
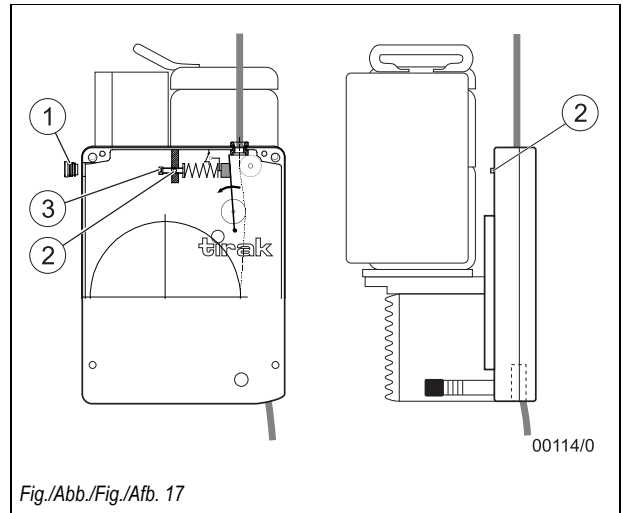
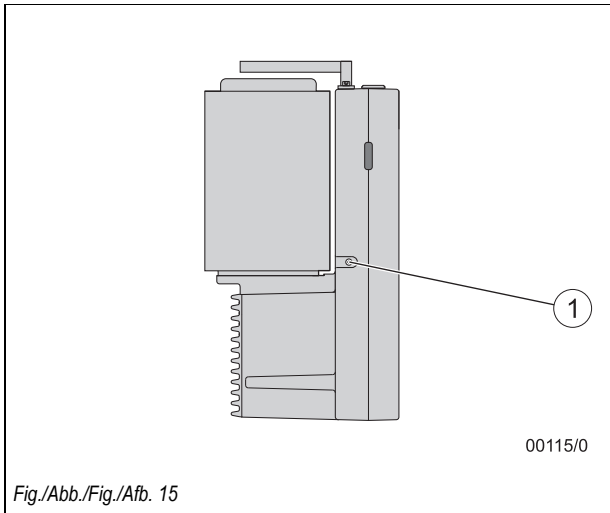
Fig./Abb./Fig./Afb. 14

EN

DE

FR

NL



EN

DE

FR

NL

Contents

1	General	2	14	Transport and storage	18
1.1	Terms and abbreviations used in this manual	2	14.1	Transport	18
1.2	Symbols used in this manual	3	14.2	Storage	18
2	Safety	3	15	Maintenance work	18
2.1	General safety instructions	3	15.1	Authorized maintenance personnel	18
2.2	Instructions for the operator	4	15.2	Mandatory inspections	18
2.3	System manufacturer's responsibilities	5	15.3	Reading the running hours counter	19
3	Overview	5	15.4	Care and maintenance	19
3.1	Delivery state	5	15.5	Adjustment	20
3.2	Scope of delivery	5	15.6	Ordering spare parts	22
3.3	Equipment description	5	16	Disposal and environmental protection	22
4	Description	7	17	Troubleshooting	23
4.1	Functional description	7	18	EU Declaration of Conformity (Extract)	25
4.2	Components / Modules	7			
4.3	Technical Specifications	8			
4.4	Operating fluids	8			
4.5	Circuit diagram	8			
4.6	Operating unit	8			
4.7	Safety equipment	9			
4.8	Anchoring	9			
4.9	Load limits	9			
5	Ropes	10			
6	Optional accessories	10			
7	Options	10			
8	Necessary accessories	10			
9	Installation and commissioning	10			
9.1	Directives and standards	10			
9.2	Checks to be undertaken before starting installation	10			
9.3	Assembly	11			
9.4	Commissioning	14			
10	Operation	15			
10.1	Checking before starting work	15			
10.2	Operation	15			
10.3	Emergency descent	16			
10.4	Switching off when overloaded	16			
11	Foreseeable misuse	17			
12	Dismantling	17			
13	Shutting down	17			
13.1	Work breaks	17			
13.2	Temporary shutdown	17			
13.3	Permanently decommissioning	17			



DANGER!

Risk of injury caused by falling objects, malfunctions, incorrect usage and incorrect operation!

Failure to follow these instructions:

can result in severe injuries or death,
can result in damage to the equipment.

- Read through this operating manual carefully before you install and commission this machine.
- Follow the instructions and procedures specified in this manual in order to ensure safe operation of the equipment.

1 General

Copyright

The copyright of this instruction manual remains with TRACTEL Greifzug GmbH.

This instruction manual is intended only for the operators of the systems described here and their staff. This instruction manual must be available to the operating personnel at all times. Additional copies can be obtained on request.

EN

No part of this instruction manual may be reproduced, distributed or otherwise communicated without the permission of TRACTEL Greifzug GmbH.

Legal proceedings may be implemented in the case of any infringements.

Manufacturer's address

Sales and service office:

TRACTEL Greifzug GmbH

Scheidt bachstraße 19-21
51469 Bergisch Gladbach, Germany

Postfach 20 04 40
51434 Bergisch Gladbach, Germany

Tel: +49 (0) 22 02 / 10 04-0
Fax: +49 (0) 22 02 / 10 04-50 + 70

TRACTEL Greifzug GmbH reserves the right to make changes to the product described in this instruction manual as part of their ongoing product improvement programme.

Customers can obtain documentation about other TRACTEL products by requesting the documentation from companies within the TRACTEL Group or service organizations appointed by the TRACTEL Group. Please visit our TRACTEL website at: www.tractel.com for further details regarding the hoisting gear and related accessories; stationary or mobile working platforms for moving around on the inside and outside of buildings; rigging; block stops for heavy loads; personal safety harnesses to prevent falls; traction and rope tension measuring equipment, etc.

The TRACTEL Group and its dealer network also provide additional customer and repair services upon request.

1.1 Terms and abbreviations used in this manual

The terms used in this instruction manual have the following meanings:

System / Machine

Pursuant to the Machine Directive 2006/42/EC lifting equipment, hoisting gear, safety equipment and rigging for lifting are regarded as machines. The term "system" or "machine" also describes the device in which the unit described here will be fitted.

System manufacturer

The system manufacturer (system planner, system manufacturer, installer) is the company marketing the system and all of the required components. The system manufacturer is responsible for the design, manufacturing, assembly and marketing.

Rigging

Rigging consists of equipment which does not belong to the hoisting gear and which creates a connection between the carrying means and the load or the carrying means and the load lifting equipment (e.g. rope loops, round slings, shackles, swivel hooks, eye hooks, deflection rollers).

Anchoring point

Part of the on-site suspended construction to which the suspension rope, the safety rope, deflection rollers and the hoisting gear are anchored separately.

Supervisor

The supervisor will be nominated by the operator and will be responsible for the overall working safety at the site.

Operating personnel

Personnel who have been trained by the operator to operate the product and are authorized to operate it.

Operator

The operator is responsible for the correct operation of the system / equipment and also for adhering to the maintenance intervals and the undertaking of the service work.

Running hours

The running hours are the effective operating times of a hoist's motor.

Electrician

An electrician is someone who possesses sufficient knowledge or has obtained the required qualification through training in order to recognize the risks and avoid the dangers that can occur when working with electricity.

Overall suspended load

The overall suspended load is the actual suspended static load, which is made up of the payload, the load lifting equipment's own weight, the additional fittings, the wire ropes and the control and connection cables.

Hoisting gear / machine for lifting loads

Device or equipment consisting of a device with load carrying means for lifting or transporting loads (e.g. wire rope hoist or wire rope hoist with rope and swivel hook).

Customer / end customer

The customer or end customer is the system manufacturer's customer and can also be the operator.

Load lifting equipment (LAM)

A component or piece of equipment which does not belong to the hoisting gear, which enables the load to be grasped and which is attached between the machine and the load or to the load itself, or is intended to be an integral component of the load. Rigging and its components are also regarded as load lifting equipment.

Material lifting equipment (MAM)

Load lifting equipment for material.

Maximum working load

The maximum working load specifies the maximum load the device is allowed to bear. The maximum working load is specified on the nameplate.

Payload

The payload is the load that is raised, pulled or held in place by the device. If reeving is used according to the block and tackle principle then the payload may exceed the maximum working load. The maximum working load must never be exceeded by using reeving.

Specialist

An appointed person who has undergone the appropriate training and who, due to his knowledge and practical experience, is able to safely perform the required work when provided with the necessary instructions.

Products in contact with the rope

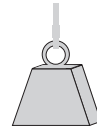
Products in contact with the rope include hoists, deflection rollers, secondary brakes and other products that the rope runs through or is in contact with.

Carrying means

The carrying means is equipment connected to the hoisting gear for attaching load lifting equipment, rigging or loads (e.g. a hook permanently attached to the suspension rope).

Maintenance personnel

A person appointed by and trained by TRACTEL Greifzug GmbH with a valid certificate, who is capable of safely performing the required maintenance, inspection and service work when provided with the required instructions.



This symbol identifies devices for transport of material.



This symbol identifies devices for transporting people and materials.

2 Safety

2.1 General safety instructions



Danger of severe injuries caused by malfunctions, incorrect use and incorrect operation!

- You must abide by the following instructions in order to ensure safe operation and correct functioning of the equipment!
 - Please observe the special safety instructions for all of the work to be performed as described in the individual chapters in this manual.
-
- Never use faulty or damaged products, accessories or rigging.
 - Never use ropes that are not the specified original ropes approved for the application. Abide by the details about the rope type and diameter.
 - Rope, products in contact with the rope and rigging must not be soiled by heavily soiling building materials such as concrete, epoxy resin or other adhesive materials. Protect the products against soiling! Always use brush attachments to clean the wire rope in an extremely dirty environment.
 - If sand-blasting or painting work is carried out in the vicinity of the hoist, cover the hoists so that the effectiveness of the brake is not impaired.
 - Abide by the rope's withdrawal criteria, see '15.4 Care and maintenance, Rope' on page 19.
 - Clean regularly.
 - Check that all of the screw connections are tight.
 - Replace any damaged parts or have them repaired by a specialist. Repairs are only to be carried out by a specialist workshop or by personnel from TRACTEL Greifzug GmbH.
 - Never use a high pressure cleaner to clean the rope or products in contact with the rope! Penetrating moisture will result in malfunctions and damage to mechanical installations (e.g. brakes, ball bearings) and the electrical equipment.

1.2 Symbols used in this manual



Type and source of danger

Result: e.g. death or severe injuries.

- Measures that must be taken to eliminate the danger.



Type and source of danger

Result: e.g. equipment or environmental damage.

- Measures that must be taken to eliminate any possible damage.

Note:

This symbol is not used to indicate safety information but to indicate information that will give you a better understanding of the working procedures.

- Dirt on the wire rope will result in premature wear or the corrosion of the wire rope, rigging and products in contact with the rope.
- Do not lubricate the rope using a lubricant that contains disulfide (e. g. Molycote®).
- You must abide by the safety specification sheets issued by the manufacturer of the lubricant being used.
- Abide by the instructions concerning transport, storage and cleaning listed on page 18.
- The anchoring devices must comply with the instructions given in this manual or the applicable directives / standards.
- The permitted working load must never be exceeded.
- Motors can become hot whilst working. Never touch the motors.
- Operation without plugs on the motor (Position 3, see Fig. 16) is prohibited. Moisture can impair the effectiveness of the brake. Risk of injury on the exposed motor shaft.
- Working outdoors during lightning or a storm is prohibited. Danger of lightning strikes or the load being tipped over by gusts of wind.
- Local climate and weather conditions must always be taken into consideration during the planning stages: If in doubt, you must request the weather and wind forecast from the meteorological office before beginning work.
- Maintenance and repair work must only be undertaken by authorized service personnel, see '15.1 Authorized maintenance personnel' on page 18.
- Self-locking nuts must never be reused and they must always be exchanged for new ones.
- Only qualified personnel who have been trained on the system are permitted to install and operate it in compliance with the instructions given in this instruction manual.
- Private users are obliged to obtain training in the assembly, operation and maintenance of the unit by TRACTEL Greifzug GmbH.
- Only qualified electricians or trainees supervised by a qualified electrician are permitted to undertake work on the electrical equipment in accordance with the electro technical standards, rules and regulations.
- The electric connection must be implemented as described in '9.3 Assembly, Electrical connection' on Page 12 in order to avoid electrical hazards.
- Never stand beneath suspended loads. Cordon off the dangerous area whenever necessary. Support and secure caught or jammed loads.
- Never grasp the wire rope while the machine is operating.
- Never reach into the inlet or outlet of rope contacting devices whilst the machine is operating. There is a risk of being pulled in and crushed.
- Hearing protection may be necessary, depending on how the hoist is installed.
- If the load cannot be guided by on-site means then a rotation-resistant wire rope with a swivel hook or a rope swivel must be used.

- When performing welding work the national safety and accident prevention regulations must be observed (e.g. BGR 159 in Germany).

2.2 Instructions for the operator

- If more than one person is entrusted with the tasks mentioned above then the operator must appoint a supervisor who is authorized to issue instructions.
- The operator is also responsible for preparing clear operating, maintenance, repair and other working instructions and ensuring that the unit is operated correctly by instructing and training the personnel in the correct and approved utilization methods.
- Attached warning signs and information signs must be readable at all times. Missing or illegible warning signs and information signs must be replaced immediately.
- The operator is responsible for the correct operation of the system as well as for adhering to the maintenance periods and the undertaking of the service work.
- The operator is committed to maintaining the logbook supplied with the system.
- EU Directive 89/391/EEC applies within the European Union (in Germany Betriebssicherheitsverordnung (BetrSichV)). You must always abide by your country's national accident prevention regulations.
- You must provide suitable protective equipment such as safety gloves, hearing protectors and a fall prevention system. Protection against extreme weather conditions (e.g. sun protection, protection against cold) are also considered to be part of the personal protective equipment.
- Always ensure that the workplace is sufficiently lit.
- This instruction manual and the instruction manuals for all of the accessory parts must be handed out to all of the authorized personnel. The documents must be available at all times.
- As TRACTEL Greifzug GmbH does not know the applications that the product described here will be used for in the future, the system operator is therefore committed to informing their personnel about any new safety instructions as well as any supplementary maintenance work.
- The system operator is responsible for selecting the anchoring method and suitable rigging options.
- The anchoring devices must comply with the instructions given in this manual or the applicable directives / standards.
- Safe operation is not guaranteed if non-original spare parts are utilized. This applies, in particular, to the use of ropes other than the specified original ropes approved for the application. Guarantee claims against the manufacturer will be invalidated and this will also invalidate the CE approval for any product holding this approval.
- Adhere to the permitted temperature range, see Table 1 on page II.

2.3 System manufacturer's responsibilities

- The system manufacturer is responsible for the design, manufacture, assembly and marketing as well as obtaining the CE seal of approval and issuing the EU Declaration of Conformity.
- The products contained in the package supplied by TRACTEL Greifzug GmbH must be carefully selected by the system manufacturer, be used in the approved manner and installed in compliance with the instructions given in this installation and operation manual.
- The information and notes contained in this installation and operating manual must be integrated into the system manufacturer's operating manuals and documentation and supplemented by the addition of system specific details (e.g. blockages and malfunction procedures). Merely handing this manual over to the operator is insufficient.
- If necessary, a test report must be included, in which the static and dynamic tests that were run are described in detail.
- Instructions regarding the maintenance of the product and its accessories must be integrated in the system's maintenance manual.

3 Overview

3.1 Delivery state

The equipment is delivered fully assembled.

3.2 Scope of delivery

- Hoist with control and connecting cable (wired fixed) in accordance with the order specifications
- tirak™ wire rope in accordance with the order specifications
- Original Installation and operating manual
- Circuit diagram
- Logbook
- Test certificate
- CE Declaration of Conformity
- Limit switch for switching off the lifting and pulling motions in accordance with the order specifications.

Optional scope of delivery

- Button panel, pluggable
- Central control unit, pluggable
- Electronic or mechanical load limiting device
- Deflection roller
- Brush attachments for cleaning the ropes

The lengths of the control cable and the connecting cable are determined when ordering. See also '6 Optional accessories' on page 10, '7 Options' on page 10 and 'Electrical connection' on page 12.

3.3 Equipment description

Authorized utilization

Hoist

The hoists are designed for raising and lowering as well as pulling and releasing or moving loads. The product may only be utilized for material transportation.

Its use for transporting personnel is prohibited.

Never use ropes that are not the specified original ropes approved for the application. Abide by the details about the rope type and diameter.

X-Model series:

The rope infeed is on the motor side (observe the arrow on the casing!). This corresponds to the load side of the hoist. The rope outfeed is on the unloaded side of the hoist. The unloaded side of the hoist may be loaded with a maximum of 100 kg (e.g. via the rope pre-tensioning).

T-Model series:

The hoist can be pulled in both directions. Depending on the running direction, the rope infeed is either on the motor side or on the opposite side. When pulling the rope pretension must not exceed 400 kg (see Fig. 20 g/h).

Product purpose

The product is intended for commercial as well as private use.

The precise intended use will be defined by the operator or the equipment manufacturer.

Swivel pulleys, hooks, shackles and eyes and other optional carrying devices belonging to the product are only to be used together with this product.

If the load cannot be guided by on-site means then a rotation-resistant wire rope with a swivel hook or a rope swivel must be used.

Maintenance and repair work must only be undertaken by authorized service personnel, see '15.1 Authorized maintenance personnel' on page 18.

Health and safety requirements

TRACTEL Greifzug GmbH declares that the machine described in this instruction manual complies with technological safety standards that were applicable to the equipment in the European Union when it was launched on the market by the manufacturer.

Test reports (test certificates) are included with the product. The static and the dynamic tests are described in detail in the test reports.

The system manufacturer / operator is therefore responsible for selecting and equipping the hoists with mechanical load lifting

devices whenever necessary in compliance with the valid directives and standards and for staying within the hoist's application limits for the specific application.

Commissioning the machine is prohibited until the machine in which this is installed complies as a whole with the regulations of the 2006/42/EC Directive, the corresponding national legislation for implementing the regulations in accordance with national law and the corresponding declaration of conformity has been issued.

The operator or system manufacturer must perform a risk evaluation in accordance with Appendix I of the guideline 2006/42/EC for machines for raising loads. EN 14492-1 must also be taken into account when inspecting the equipment.

Guarantee and liability exclusions

See '11 Foreseeable misuse' on page 17.

Any use other than that described here will be considered to be unauthorized. TRACTEL Greifzug GmbH does not accept any liability for damages resulting from unauthorized use. The operator must assume sole responsibility in this case. Abiding by all of the instructions given in this instruction manual, in particular the installation and maintenance regulations, are also considered part of authorized use.

Application areas

The product is suitable for use under the following operating conditions:

- For permanent or temporary installations
- For short-term operation: Drive groups see Table 1 on page II.
- At heights of up to 1,000 m above sea level (max)
- Permitted temperature range see Table 1 on page II



DANGER!

Danger of severe accidents!

- 24-hour operation is prohibited.
- Use in areas where there is a risk of explosion is prohibited.
- Use in a corrosive environment is prohibited.¹⁾
- Use in close proximity to open fire or in an extremely hot environment is prohibited.
- Transport of persons is prohibited!

¹⁾ Corrosion protection in accordance with order specifications

Installation example

See Fig. 20.

Structural requirements

General information

You must abide by the payload limit specified for the hoisting gear, deflection roller, rigging and anchoring points. See '4.9 Load limits' on Page 9.

If the load cannot be guided by on-site means then a rotation-resistant wire rope with a swivel hook or a rope swivel must be used.

Rope, products in contact with the rope and rigging must not be soiled by heavily soiling building materials such as concrete, epoxy resin or other adhesive materials. Protect the products against soiling! Always use brush attachments to clean the wire rope in an extremely dirty environment.

Anchoring point

The structural equipment to be used for attaching the product must be designed in compliance with the applicable Directives and standards (see '9.1 Directives and standards' on Page 10).

The application's overall suspended load must be taken into account regarding the design of the suspended construction. The overall suspended load is the actual suspended static load, which is made up of the payload, the load lifting equipment's own weight, the additional fittings, the wire ropes and the control and connection cables.

If necessary, a test report must be included, in which the static and dynamic tests that were run are described in detail.

Drive path

During lifting processes the drive path must be limited by one or multiple limit switches, so that the upward and/or downward movement is stopped.

The operator or the system manufacturer must determine the design and the fitting position of the limit switches when taking their risk assessment into account.

The operator or system manufacturer must install an operational limit switch and, if necessary, an emergency limit switch and a floor limit switch and connect them to the hoist. The limit switches must have a positive opening.

The gap between the limit switch and the wire rope anchoring or the protruding components must be chosen so that the machine can be switched off reliably and in good time. We recommend that you use a minimum gap (Size a) of between 0.5 to 1.5 m. See Fig. 14.

The wire rope must be long enough so that the rope end connection or the load bearing point or the rope end itself cannot be pulled up to or into the product or the accessory parts.

Operating equipment

It must be possible to position the operating equipment in such a way that safe operation is always possible regardless of the movements of the hoist.

The control buttons must be arranged so that there is no possibility of confusion.

On a button panel the UP button should be the closest button to the cable outlet.

Nameplate and warning signs / application restrictions

Replace missing or illegible nameplates and warning signs immediately.

See Fig. 11.

Item	Name
1	Warning sign 'Wire rope diameter'
2	tirak™ nameplate
3	Brake nameplate
4	Electric motor nameplate
5	Emergency descend warning sign
6	Rope identification

The necessary information can be obtained from the nameplate.

Directives and standards

Applicable directives and standards: See '9.1 Directives and standards' on page 10.

Product versions covered in the manual

The product versions described in this manual are listed in Table 1 on page 11.

Running hours counter

The running hours counter is located in the hoist's terminal box. The running hours counter counts the time in which the hoist is in operation as running hours (UPWARD and DOWNWARD movements). To read the running hours counter: See '15.3 Reading the running hours counter' on page 19.

4 Description

4.1 Functional description

The tirak™ is a hoist for raising and lowering loads. The hoist is operated with an electric motor. The X-model series hoists can raise and lower as well as pull and release in the pulling direction of the rope. The T-model series hoists can pull in both directions and are used, for example, for moving loads.

Operation is carried out via a button panel, control box or a central control unit.

The electromagnetic spring-applied brake automatically locks when the operating control for travelling UP or DOWN is released or when the power fails. When lowering the load by manually venting the spring-applied brake a centrifugal brake prevents the rope from accelerating up to a fast speed.

The hoist's payload can be multiplied according to the block and tackle principle by reeving the rope. See '4.9 Load limits' on Page 9.

Press the EMERGENCY-STOP button to stop the hoist immediately in an emergency situation.

X-Model series:

Hoists with a load bearing capacity of 1,000 kg or greater are equipped with a mechanical load limiting device. Hoists with a load bearing capacity up to 1,000 kg can be optionally equipped with an electrical or a mechanical load limiting device.

T-Model series:

Hoists of the T-model series can be optionally equipped with an electrical load limiting device.

The load limiting device will activate automatically when the overload setting is reached. The downward travel of the hoist is stopped. The maximum overload that has to be set up can be found in the applicable directives and standards (See '9.1 Directives and standards' on Page 10).

The system manufacturer / operator is responsible for determining and setting up the application dependent maximum overload.

For further information see '15.5 Adjustment, Adjusting the load limiting device' on Page 20.

4.2 Components / Modules

See Fig. 1.

Item	Name
1	Rope
2	Plug connector for the limit switch ¹⁾
3	Brake magnet lever
4	Handle
5	Plug connector for control unit ¹⁾
6	Terminal box
7	Rope drive
8	Carry handle
9	Gearbox
10	Operating unit ¹⁾
11	Motor

Item	Name
12	Controls (button panel) ¹⁾
13	Connecting plug
14	Limit switch (not shown) ¹⁾
	Option: Frequency converter (not shown)

¹⁾ Optional scope of delivery, dependent on the hoist version and the order specifications

EN

4.3 Technical Specifications

The technical specifications are listed in Table 1 on page II.

4.4 Operating fluids

Transmission oil

Transmission oil, see Table 2 on Page V.

In normal cases, it is not necessary to change the transmission oil.

ATTENTION!

Incorrect transmission oil!

Damage to the gearbox due to insufficient lubrication.

- Use only the lubricants specified in the table.

Synthetic oil and mineral oil may not be mixed!

- Thoroughly flush the gearbox repeatedly with the new oil type when changing the oil type.
- Change the oil drain plug to correspond with the new oil type (socket head screw: mineral oil; hexagon head screw: synthetic oil).

Lubricants

Application	Lubricant
Traction sheave external teeth (only model series X 3050)	hebro-chemie VARILUB or Klüber Grafoscon C-SG 0 Ultra or Klüber C-SG 1000 Ultra Quantity approx. 10 cm ³ per lubrication
Rope	Multipurpose oil/grease (without disulphide)

4.5 Circuit diagram

The circuit diagram is located in the terminal box of the motor.

4.6 Operating unit



DANGER!

Risk of confusion due to incorrect key assignment.

Risk of severe accidents!

- Do not swap plug-in button panels between different hoists.
- The UP button should be the closest button to the cable outlet of the button panel to ensure the overload shut-off function is effective.

Depending on the product version the hoist is controlled by a button panel, control box or a central control unit, see Fig. 1 and Fig. 4.

Item	Name	Function
With a single speed:		
1	UP button	Move load upwards / pull rope: – Press and hold the button
2	DOWN button	Move load downwards / release rope: – Press and hold the button
3	EMERGENCY-STOP button	Switching on: – turn the button to the right until it releases Disconnecting power supply: – press the button in.
With two speeds:		
4	UP button	Move load upwards /pull rope: – Press the button halfway and hold: slow – Press the button completely and hold: fast
5	DOWN button	Move load downwards / release rope: – Press the button halfway and hold: slow – Press the button completely and hold: fast
6	EMERGENCY-STOP button	See Point 3.

4.7 Safety equipment

EMERGENCY-STOP button

Press the EMERGENCY-STOP button to stop the hoist immediately in an emergency situation.

Mechanical load limiting device

X-Model series:

- above 1,000 kg maximum working load included in the equipment supplied
- up to 1,000 kg maximum working load as optional scope of delivery

The load limiting device will active automatically when the overload setting is reached. The hoist will be stopped. The maximum overload that has to be set up can be found in the applicable directives and standards (See '9.1 Directives and standards' on Page 10).

The system manufacturer / operator is responsible for determining and setting up the application dependent maximum overload.

For further information see '15.5 Adjustment, Adjusting the load limiting device' on Page 20.

Electric load limiting device (optional)

The electric load limiting device switches off automatically in case of an overload. The load limiting device reacts to the power consumption of the motor. Hoists with two speeds are equipped with two electric load limiting devices. An overload is recognized when lifting.

Spring-applied brake

The electromagnetic spring-applied brake automatically locks when the operating control for travelling UP or DOWN is released or when the power fails.

Centrifugal brake

A centrifugal brake on the motor shaft of the hoist ensures that the load is not lowered too fast when the spring-applied brake on the hoist's motor is released manually.

Operating limit switch / emergency limit switch

During lifting processes the drive path must be limited by one or multiple limit switches, so that the upward and/or downward movement is stopped.

The operator or the system manufacturer must determine the design and the fitting position of the limit switches when taking their risk assessment into account.

The operator or system manufacturer must install an operational limit switch and, if necessary, an emergency limit switch and a floor limit switch and connect them to the hoist. The limit switches must have a positive opening.

Running hours counter

The running hours can be read from the running hours counter, in order to determine when the next hoist safety check must be carried out.

Phase sequence relay (hoists without frequency converters)

In control units operating by three-phase current, the phase sequence relay shuts down the system in the case of an incorrect phase sequence and this prevents an UP / DOWN travel

direction mix-up, which could potentially disable the limit switches and load limiting devices.

4.8 Anchoring



DANGER!

Danger of severe injuries caused by incorrect anchoring!

High-strength, galvanized bolts and screws can become brittle and break. Risk of falling and of being injured by falling objects!

- High-strength galvanized bolts / screws (10.9 or 12.9) may not be utilized for anchoring.
- Utilize bolts / screws with the specified strength.

Specifications detailing the strength of the bolts / screw are listed in Table 4 on page VII. Observe the details in 'Structural requirements' on page 6.

The hoist can be anchored with and without an adapter (see pos. D in Fig. 2).

Anchoring without adapter:

- at least 2 screws with self-locking nuts

Anchoring with adapter:

- 2 screws with self-locking nuts

Bolts of the same strength and equivalent locking can be used instead of the screws.

See also '9.3 Assembly' on page 11.

4.9 Load limits



DANGER!

Incorrect anchoring! Incorrect usage!

Risk of being injured by falling objects!

The strain on the deflection roller, rigging and anchoring point increases depending on the arrangement of the hoisting gear, deflection roller and load!

- The minimum breaking strength of the deflection rollers, the rigging and the anchoring points must exceed the hoist's maximum working load in the given installation situation by 4 times (see Fig. 20).

The hoist's payload can be increased by reeving the rope, See Fig. 20 (F corresponds to the hoist's maximum working load). The maximum working load must never be exceeded by using reeving.

Note:

Reeving the rope reduces the hoist speed.

5 Ropes

General



Incorrect rope or rope with incorrect diameter!

Using an incorrect rope leads to a risk of falling or being injured by falling objects and the risk of malfunctions!

- In order to operate safely only use original ropes authorized by TRACTEL Greifzug GmbH with the correct rope diameter and the required design.
- If the load cannot be guided by on-site means then a low-twist rope with a swivel hook or a rope swivel must be used.
- The required rope diameter is listed in Table 1 on page II. The design is listed in Table 7 on page 20.

The rope is included in the scope of delivery.

Alternative wire rope assemblies:

- End/thimble
- End/safety hook

6 Optional accessories

The following accessories can also be purchased:

- Deflection roller
- Adapter, eye hook or master link

Please directly contact TRACTEL Greifzug GmbH.

7 Options

Please directly contact TRACTEL Greifzug GmbH.

8 Necessary accessories

The following accessories, which are not part of scope of delivery, are necessary to use the product:

- Rigging and securing equipment with an adequate minimum breaking strength (see 'Structural requirements' on Page 6).
- If the rope is deflected or reeved: Rigging and securing equipment with an adequate minimum breaking strength (see '3.3 Equipment description, Structural requirements on page 6).
- A longer connecting cable can be used if necessary, see 'Electrical connection' on page 12.

Other original Greifzug accessories: See '6 Optional accessories' on page 10.

The operator or the manufacturer of the system is responsible for selecting and using the accessories in accordance with the local

conditions. You must also abide by any other requirements of the respectively applicable regulations and standards.

9 Installation and commissioning

9.1 Directives and standards

The product conforms with the following directives and standards:

- Machine Directive 2006/42/EC
- EN ISO 12100:2010
- EN ISO 13849
- EN 60204
- Machines for lifting loads (transport of materials): EN 14492-1:2006 + A1:2009
- The safety goals required by Directive 2006/95/EC have been complied with in accordance with Appendix I No. 1.5 of the Directive 2006/42/EC.

The operator or the system manufacturer is responsible for ensuring that the machine is used within the limits specified in these instructions. The operator or the system manufacturer must also observe the directives and standards for the machine in which the unit will be fitted.

9.2 Checks to be undertaken before starting installation

Check the rigging, deflection rollers and anchoring points

- Check to ensure that the deflection roller, the rigging and the on-site anchoring point all have the necessary minimum breaking strength, see 'Structural requirements' on page 6.

Inspecting the installation site

General

- Check if other components obstruct a correct installation. The installation space must not contain any sharp or edged components.
- Check that the mounting does not cover any nameplates (see Fig. 11). If necessary provide for notches.
- Check whether a suitable connection for the power supply in accordance with chapter 'Electrical connection' on page 12 is available on site.

Hoist

- Comply with the necessary installation space listed in Fig. 2 and Table 1 on Page II.
- Check to ensure that the rope enters the hoist vertically in the pulling direction (Fig. 2).

Check the components and the accessories

General

- Check that the components and the accessories are complete (See '3.2 Scope of delivery' on Page 5 and '4.2 Components / Modules' on Page 7).
- Check for signs of damage.
- Check that all of the screw connections are tight.
- Replace any damaged parts or have them repaired by a specialist. Repairs are only to be carried out by a specialist workshop or by personnel from TRACTEL Greifzug GmbH.

Rope

- Check whether the diameter and design of the rope match the product and the application, see Table 1 on page II, Table 7 on page 20 and 'Nameplate and warning signs / application restrictions' on page 7.

If the load cannot be guided by on-site means then a rotation-resistant wire rope with a swivel hook or a rope swivel must be used.

- Check that the length of the rope is sufficient:
It must be possible to safely move the load from the start to the end position.
The wire rope must be long enough so that the rope end connection or the load bearing point or the rope end itself cannot be pulled up to or into the product or the accessory parts.
- Inspect the entire length of the rope for any signs of damage, see Fig. 13.
- Inspect the rope tip in accordance with Fig. 8 (see also '15.4 Care and maintenance, Rope' on page 19).
- Clean regularly.
- Check whether the thimble (1) and sealing cuffs (2) are undamaged (see Fig. 10).
- Ropes with hooks:
Check that the hook and the safety catch (3) are intact, see Fig. 10.
- Ropes with safety hooks:
Check to ensure that the safety hooks (4) shut correctly and that the locks work, see Fig. 10.

Anchoring devices

- Check whether the bolts/screws/rigging comply with the specifications in '4.8 Anchoring' on page 9.
- Inspect the fishplates, load bolts and screw connections for damage.

Connecting cable

- Check that the length is adequate.
- Check whether the cable diameter is sufficient for the planned length (see Table 5 and 6 on page 12).
- Check the entire length of the cable for visible damage.

Control cable

- Check that the length is adequate.
- Check the entire length of the cable for visible damage.

9.3 Assembly

Requirements

- Assembly may only be performed by trained personnel.
- The workplace must have adequate lighting.

Anchor hoist



DANGER!

Incorrect anchoring!

Risk of being injured by falling objects!

- Only attach the hoist at the specified anchorage bore-holes with the specified anchoring devices.
- The rope must run into the hoist vertically (see Fig. 2).
- If greater payload is required: See the specifications in '4.9 Load limits' on Page 9.

Danger of severe injuries caused by incorrect anchoring!

High-strength, galvanized bolts and screws can become brittle and break. Risk of falling and of being injured by falling objects!

- High-strength galvanized bolts / screws (10.9 or 12.9) may not be utilized for anchoring.
- Utilize bolts / screws with the specified strength.

Cotter pins inserted incorrectly!

Risk of being injured by falling objects!

- Insert the cotter pin according to Fig. 6.

ATTENTION!

Incorrect installation position!

Damage to the equipment may occur!

The equipment will be damaged if incorrect or insufficient lubricant is used!

- The hoist must not be mounted horizontally on the flat side.
- Attach the hoist in such a way that the flat side only points to the side or upward, see Fig. 2.

- Use screws with self-locking nuts to stop them from being lost.
- Secure the bolts with a cotter pin or similar lock.

X-Model series

See Fig. 2 and Table 4 on page VII.

ATTENTION!

Incorrect anchoring!

Can result in damage to the device!

The unit can be damaged if fastened to the wrong anchorage boreholes!

- Only attach the hoist at the specified anchorage boreholes with the specified anchoring devices.
- Securing to anchorage boreholes that are positioned diagonally opposite one another is prohibited.
- Securing to the A3 + A4 anchorage boreholes in accordance with Fig. 2 is prohibited.

Securing to anchorage points A:

- Secure the hoist to at least two anchorage points using screws or bolts.
A1 + A2 or A2 + A3 or A1 + A4.

Securing to anchorage point B:

- Secure the hoist with screws or bolts.

T-Model series

See Fig. 3 and Table 4 on page VII.

ATTENTION!

Incorrect anchoring!

Can result in damage to the device!

The unit can be damaged if fastened to the wrong anchorage boreholes!

- Only attach the hoist at the specified anchorage boreholes with the specified anchoring devices.
- If the load should be pulled from direction A2, use anchorage point A1.
- If the load should be pulled from direction A4, use anchorage point A3.
- If the load should be pulled in both directions, use anchorage points A1 + A3.

Damage to the fixing fishplates is possible!

- Screw on the self-locking nuts (1) only as far as until they lie flush on the fishplate (2).
-
- Fasten the hoist to anchorage points A1 or A3 or A1 + A3 using screws or bolts.

Electrical connection



DANGER!

Danger of electric shock! Danger of severe accidents!

All of the work undertaken and the electrical connections must concur with the national regulations applicable in the respective country.

- Only electricians are permitted to make the electrical connections.

Danger through unauthorized use!

The electrical connection on the operator's side must be connected in such a way that the hoist can be secured against unauthorized use! Suitable protective measures include:

- Lockable Emergency Off device
- Lockable main switch
- Key-switch
- Removable operating controls

Danger of severe accidents! Danger of electric shock!

The electrical connections must be made in accordance with the details given in this manual in order to prevent electrical hazards.

The electric connection must be established in accordance with EN 60204-32.

The equipment must be earthed via the power supply cable. The earthing function must be tested (isolation inspection). Additional measures may be necessary.

A generator rated at 3 times the hoist's nominal power can be used if necessary (generator's nominal power rating [kVA] = number of hoists x hoist's nominal power rating [kW] x 3). The operator must earth the generator. The earthing function must be tested (isolation test).

The existing connection used must be equipped with a 30 mA safety switch (FI or RCD) and overload protection (automatic circuit breaker with K- feature) in accordance with the circuit diagram and the order specifications. The starting current is three times the nominal current of the hoist.

- Three-phase current: 400 V (3P + N + PE), 50 Hz
- Alternating current: 230 V (P + N + PE), 50 Hz

The longer the power supply cable, the larger the cable cross-section must be.

- Secure hanging cables with cable ties (1), see Fig. 7.
- Use heavy duty rubber lines with support elements.

Determining the required cable cross-section:

The following tables apply for hoists of 50 Hz. When 60 Hz hoists are utilized, greater cable diameters must be used, depending on the power.

- Determine the code letter (e.g. 'C') using Table 5. On hoists with two speeds the maximum rope speed is the determining factor.

- In Table 6 determine the cable cross-section required for the code letter.

Model series	max. rope speed	one hoist			two hoists		
		Three-phase current	230 V	230 V	Three-phase current	230 V	230 V
	m/min	400 V	230 V	230 V	400 V	230 V	230 V
X 300	9	A	B	C	A	D	E
	18	A	C	-	B	E	-
X 400 X 500	9	A	C	E	B	E	F
	18	B	E	-	D	G	-
X 800 T 1000 T 1020 X 1020	9	B	E	-	D	F	-
	18	C	F	-	E	G	-
X 1230 X 1530	9	B	E	-	D	-	-
	18	C	F	-	F	-	-
X 3050	6	D	F	-	F	G	-
	12	E	F	-	F	G	-

Table 5

Code letter	Cable cross-section [mm ²] for cable lengths up to...			
	20 m	50 m	100 m	200 m
A	1,5	1,5	1,5	1,5
B	1,5	1,5	1,5	2,5
C	1,5	1,5	2,5	4
D	1,5	2,5	4	6
E	1,5	2,5	4	6
F	1,5	4	10	16
G	2,5	6	10	16

Table 6

Mount the rope



DANGER!

Danger of severe accidents caused by incorrect anchoring or damaged ropes!

Might result in severe injuries or even death!

- The rope must hang free.
- The rope must never run over an edge!



DANGER!

Risk of injury through stabs and cuts!

Broken wires in the wire rope can result in protruding wires! Protruding wires can cut or stab through safety gloves!

- Wear suitable leather protective gloves when working with wire ropes.
- Never let the wire rope run through your hands.

Danger of crushing or being pulled in!

When threading the rope in there is a risk of fingers or the entire hand being pulled in with the rope or being crushed on the pulleys and rope guides!

- Never touch the rope whilst the hoist is in operation! Do not reach into the inlet or outlet of the hoist.
- Maintain a suitable distance from the rope.
- Watch out for rope loops.

ATTENTION!

Incorrect assembly!

Damage to the hoist possible (X-model series)!

- The unloaded side of the hoist may be loaded with a maximum of 100 kg (e.g. via the rope pretensioning).

Damage to the hoist possible (T-model series)!

- When pulling the rope pretension must not exceed 400 kg (see Fig. 20 g/h).

Note:

If the anchoring point for the rope is located above the hoist the rope must be fastened before it is fed into the hoist.

Suspension wire rope

- Roll-off the rope correctly so that no loops in the rope occur.
- Insert the tip of the rope into the hoist as far as possible. (X-Model series: Observe the direction of the arrow on the casing.)
- Switch on the hoist in the pulling direction.
- Feed in the rope until the rope feeds automatically and comes out of the opening on the other side.
- Make sure that the rope outlet is free to allow the loose end to untwist.
- If necessary, guide the loose end of the rope over a pulley or another suitable rope guide to prevent the rope from running over an edge that will result in the rope being damaged, see Fig. 12.
- Place the loose end of the rope down correctly to prevent any loops or knots from being created.

Fit the stop disc for the upper drive path limiter

A stop disc must be fitted as the upper drive path limiter for the emergency limit switch and the optional operating limit switch.

See Fig. 14.

Item	Name
1	Rope anchoring
2	Stop disc
3	Limit switch (similar to illustration)
4	Suspension wire rope

EN

The gap between the limit switch and the wire rope anchoring or the protruding components must be chosen so that the machine can be switched off reliably and in good time. We recommend that you use a minimum gap (Size a) of between 0.5 to 1.5 m.

- The stop disc (2) must be mounted below the rope anchoring point (1) on the suspension wire rope (4).

After completing the installation

- Check that everything is ready and then run a functional check, see '9.4 Commissioning' on page 14.

9.4 Commissioning

ATTENTION!

The load will be incorrectly secured to the ropes if thimbles or hooks are not used!

Can result in damage to the device!

The load must not be directly attached to the towing rope.

- Use a wedge clamp and an anchorage rope to anchor the load.

Determining operational readiness

- Check the rope anchoring.
- Check the anchoring of the hoist, deflector rollers and the load.
- Check whether the rope enters the hoist vertically.
- Check that the plugs on the motor (see Fig. 16, Item 3) are seated correctly.
- Record the inspection results in the logbook.

Functional test



DANGER!

Risk of being injured by falling objects!

- Never stand beneath suspended loads.
- Cordon off the hazard zone whenever necessary.

ATTENTION!

Incorrect rope lengths!

Can result in damage to the device!

The rope end connection, the load bearing point or the rope end itself must never be pulled up to or into the product or the accessory parts!

- Use a rope with adequate length.
- Whenever necessary: Monitor the rope during operation.

Note (hoists without frequency converters):

If the hoist fails to start then two poles in the power supply cable may have been inverted. The built-in reverse polarity protection locks out the control unit:

- Turn the phase reverser in the plug by 180°, see Fig. 21.

Load up the load lifting equipment

The load lifting equipment or the hoist must be loaded with the maximum working load during the following tests in order to be able to test that the safety devices work correctly.

- The operator or the system manufacturer must ensure that the payload can be traversed against the static friction in a manual emergency descent in any situation (e.g. if the rope is reeved) and that the maximum working load is not exceeded.
- The load lifting equipment must be loaded with the maximum working load.

Where necessary, take other information given by the operator / system manufacturer into consideration.

Testing the brake

- Run the hoist in the pulling direction until the rope is tensioned (run hoists with two speeds at the lower speed).
- Raise or pull the load along for approx. 1 m.
- Stop hoist:
The brake must hold the rope tightly.

Note:

Moving / rocking whilst stopped can result in the "overload" buzzer being activated or the warning light coming on. No overload is present if the buzzer or the warning light switches off as soon as the personnel lifting equipment stops moving.

- Let down or release load.
- Stop hoist:
The brake must hold the rope tightly.

If the brake does not stop the rope:

- Press the EMERGENCY-STOP button.
- If the EMERGENCY-STOP button fails, disconnect the hoist power supply (e.g. by pulling out the plug).

- Have the hoist inspected and serviced by an electrician or authorized service personnel (see '15.1 Authorized maintenance personnel' on page 18).

Function test of the emergency-stop

- Let the hoist run in the pulling direction.
- Press the EMERGENCY-STOP button.
The power must be shut-off.
The brake must hold the rope tightly.

Testing the drive path limit

Testing the upper limit switch:

- Trigger the optional operating limit switch by running on to it:
The upwards movement must be stopped.
The brake must hold the rope tightly.
Downwards movement must still be possible.
- Trigger the emergency limit switch manually:
The power must be shut-off.
The brake must hold the rope tightly.
You should not be able to move up or down.

Options: Testing the lower limit switch:

- Trigger the limit switch manually or by running on to it.
The hoist must stop.
The brake must hold the rope tightly.
You must not be able to move downwards.

End of test

- Record the inspection results in the logbook.

Adjusting the load limiting device

The operator is obliged to fit the load limiter before starting the hoist (see '15.5 Adjustment, Adjusting the load limiting device' on Page 20).

10 Operation

Personnel must have been trained by the operator in operating the unit and be authorized to use it.

10.1 Checking before starting work

- Check the rope for clinging dirt and clean if necessary.
- Check that everything is ready for working, see '9.4 Commissioning, Determining operational readiness' on Page 14.
- Run the function test, see '9.4 Commissioning, Functional test' on page 14.
- Record the inspection results in the logbook.

10.2 Operation



DANGER!

Risk of being injured by falling objects!

The load or load lifting equipment may jam and fall!

- Constantly observe the load, the load lifting equipment and rope.
- If necessary, work with a supervisor.
- Agree upon hand gestures before commencing use.
- If visual contact is not possible, use a mobile phone or walkie-talkie for communicating.
- Never stand beneath suspended loads.
- Cordon off the hazard zone whenever necessary.

Risk of being injured by falling objects!

The load or load lifting equipment may jam and fall!

- Never stand beneath suspended loads.
- Cordon off the hazard zone whenever necessary.
- Support and secure caught or jammed loads.

Risk of being crushed! Danger of being pulled in! Risk of injury!

On the rope and wire rope hoist!

- Never touch the rope whilst the hoist is in operation! Do not reach into the inlet or outlet of the hoist.

Risk of being crushed! Risk of injury!

From the rotating motor shaft!

- Check that the plugs on the motor (see Fig. 16, Item 3) are seated correctly.

Risk of being injured by falling objects!

Overloading can result in destruction of the hoist or the safety devices! This can result in malfunctions!

- Observe the maximum permitted load when loading the load lifting equipment.
- Do not release stuck or jammed loads by pulling with the hoist.
- Do not pull loads with hoists for raising and lowering diagonally.
- Avoid excessive inching/jogging (e.g. giving the motor short impulses).

Risk of being injured by falling objects!

Moisture can impair the effectiveness of the brake!

- Check that the plugs on the motor (see Fig. 16, Item 3) are seated correctly.
- Never use a high pressure cleaner to clean the rope or products that make contact with the rope.

Risk of burns!

Motors can become hot during operation!

- Do not touch the motors.

ATTENTION!

Incorrect rope lengths!

Can result in damage to the device!

The rope end connection, the load bearing point or the rope end itself must never be pulled up to or into the product or the accessory parts!

- Use a rope with adequate length.
- Whenever necessary: Monitor the rope during operation.

EN

Loading



DANGER!

Risk of being injured by falling objects!

- Secure loads against falling.
 - Secure loads against twisting.
-
- Switch on the on-site main switch or insert the CEE plug into the connector.
 - Turn the EMERGENCY-STOP button to the right until it releases:
The control unit is switched on.
 - Always abide by the maximum permitted load when loading the load lifting equipment.

Note:

Moving / rocking whilst stopped can result in the "overload" buzzer being activated or the warning light coming on. No overload is present if the buzzer or the warning light switches off as soon as the personnel lifting equipment stops moving.

Operating the hoist

- Run the hoist in the pulling direction until the rope is tensioned (run hoists with two speeds at the lower speed).
- Run the hoist in the pulling direction until the load lifting equipment is raised or pulled.
- Let down or release load.
- Observe the end of the rope when lowering or slackening.
- Stop immediately when damage, loops or knots are detected.
- Stop: Release the operating control.

If the rope / hoist does not stop when letting go of the operating control:

- Press the EMERGENCY-STOP button.
- If the EMERGENCY-STOP button fails, disconnect the hoist power supply (e.g. by pulling out the plug).
- Have the hoist inspected and serviced by an electrician or authorized service personnel (see '15.1 Authorized maintenance personnel' on page 18).

10.3 Emergency descent

The load lifting equipment can be lowered manually in the event of a power failure.



DANGER!

Risk of being injured by falling objects!

You are only allowed to lower the load in manual mode in an emergency.

- The hoist must always be tested by TRACTEL Greifzug GmbH or a hoisting gear workshop that has been authorized by TRACTEL Greifzug GmbH after an emergency descent.
- Any damaged or worn part found must always be replaced.

Risk of being injured by falling objects!

The centrifugal brake might not brake the load in case of overloading!

- In the event of overloading, never open the service brake (spring-applied brake) manually.

The centrifugal brake prevents rope speeds that are too high when lowering manually.

See Fig. 16.

- Remove the lever (1) from the anchoring.
- Insert the lever (1) into the brake bracket through the slot in the hood of the motor (2).
- Lift and hold the lever.
The load is lowered.
- Let go of the lever to brake.
- Anchor the lever again after use.
- Send the hoist to the manufacturer for testing or repair or send it to a specialist hoisting gear workshop.

10.4 Switching off when overloaded

Hoists with a mechanical or electrical load limiting device:

The hoist's load limiting device has been set up in the factory to activate with a maximum permitted overload of 125% of the maximum working load. A warning signal will be sounded or a warning light will come on when it is switched off.

Jamming of the load lifting equipment may also lead to deactivation.

When overloaded:

- Reduce the load until no overload is present.

When jammed:

- Lower or release the hoist until the load hangs freely again.
- Remove the obstacle before lifting the load again.

11 Foreseeable misuse

Guarantee and liability claims for personal injuries and equipment damage will be rejected if they can be traced back to one or more of the following causes:

- Unauthorized use of the product, the accessories or the carrying means belonging to the product
- Lifting personnel
- Operating without limit switch (hoist for lifting)
- Operating with a soiled rope
- Use in potentially explosive or corrosive environments
- Not adhering to the stipulated maintenance periods
- Cleaning with a high-pressure cleaner
- Incorrect installation, commissioning, operation, maintenance or repairs
- Working with an electrical connection that does not correspond to the details stipulated in this manual
- Poor monitoring of the parts and the accessories, which has resulted in wear occurring
- Carrying out incorrect and unauthorized repairs
- Use of non-original spare parts
- Alteration of safety device settings
- Ignoring measurements and checks that would detect early signs of damage
- Product overloaded
- The load strikes the towing rope or the suspension cable (rope without a thimble or hooks)
- Accidents caused by foreign bodies or acts of God
- The manufacturer will not accept any liability for damages resulting from modifications and conversions made to the products or from the use of non-original parts that have not been authorized by the manufacturer.
- Never use faulty or damaged products, accessories and, rigging.
- X-Model series:
Load the unloaded side of the hoist with more than 100 kg (e.g. via the rope pretensioning).
- T-Model series:
Load the unloaded side of the hoist with more than 400 kg (e.g. via the rope pretensioning).

12 Dismantling



DANGER!

Risk of injury through stabs and cuts!

Broken wires in the wire rope can result in protruding wires!
Protruding wires can cut or stab through safety gloves!

- Wear suitable leather protective gloves when working with wire ropes.
- Never let the wire rope run through your hands.

- Lower the load lifting equipment and remove if necessary.
- X-Model series:
Press the DOWN button and pull the rope upwards out of the hoist.
- T-Model series:
Press the UP or DOWN button and pull the rope out of the hoist.



DANGER!

Danger of death due to electric shock!

- Disconnect the hoist from the power supply by pulling out the plug.
- Pull out the power plug.
- Whilst lowering the ropes (1) you must wind them up in the correct position or wind them onto a reel to ensure that there are no loops (2), which would make the ropes unusable, see Fig. 5.
- Loosen the anchorage of the hoist.
- Dismantle the deflection rollers and load bearing points.

EN

13 Shutting down

13.1 Work breaks

The workplace must be secured as follows during work breaks:

- Put the load lifting equipment on the ground or cordon off the area beneath the suspended load.
- Disconnect the power supply and secure the hoist against unauthorized use.

13.2 Temporary shutdown

If the hoist is not required for several days or weeks but should remain mounted in the same position and location, the hoist must be secured as follows:

- Put the load lifting equipment on the ground or cordon off the area beneath the suspended load.
- Secure the load lifting equipment against oscillating movements (e.g. tie to building).
- Pull up the rope without load to a position out of the reach of people.
- Disconnect the power supply and secure the hoist against unauthorized use.

13.3 Permanently decommissioning

- Dismantle the product and accessories, see '12 Dismantling' on Page 17.
- Clean the outside of the product and then store it away.

14 Transport and storage

14.1 Transport

General transporting instructions

Ensure that no damage occurs during the transporting.

Always use suitable transport equipment and get a second person to help you with heavy components.

EN

Hoist

- On-site, the hoist can be transported using the carrying handle, see Fig. 1. If necessary transport with the help of a second person.
- Heavy hoists can be transported using suitable transport equipment on the eye bolts or ring nuts.
- Utilize the transport box when transporting with a vehicle. Secure the hoist or the transport box with lashing straps.

Ropes

- Protect the ropes against direct sunlight, chemicals, soiling and mechanical damage.
- Transport the ropes on the reels whenever possible.
- Rolled-up ropes without reels should be lifted and transported using a lifting strap.
- Minimize the load resulting from the dead weight as much as possible.

14.2 Storage

General storage conditions:

- Dry location (maximum of 75% relative humidity)
- Dust-free
- Even ambient temperature

Wire rope storage conditions:

- Lightly greased
- Avoid contact with chemicals (e.g. battery acid)
- Store without any mechanical crushing, pressure or tensile stress

15 Maintenance work

15.1 Authorized maintenance personnel



DANGER!

Risk of falling! Risk of being injured by falling objects!

Danger of death due to incorrectly carried out maintenance or service work!

Maintenance and service work which requires the product to be opened may only be performed by the following authorized parties:

- The TRACTEL Greifzug GmbH
- Lifting equipment service companies authorized by TRACTEL Greifzug GmbH
- Service personnel trained and certified by TRACTEL Greifzug GmbH

15.2 Mandatory inspections

A written certificate is required for the annual safety inspection and any exceptional tests. The inspections must be recorded in the logbook included with delivery.

Prior to every use

Always check to ensure that the device is in an orderly working condition before use, see '9.4 Commissioning' on page 14.

Annual safety inspection

The safety inspection must be carried out annually.

The safety inspection may only be undertaken by authorized maintenance personnel, see '15.1 Authorized maintenance personnel' on page 18. Depending on the usage conditions (e.g. operation in an extremely dirty environment), an intermediate inspection may be necessary.

When using rotation-resistant wire ropes:

The hoist's traction sheave might become prematurely worn, but this depends on the application and the environmental conditions (suspended load, dirt on the rope, etc.). The traction sheave must be changed if it is found to be worn.

We recommend that the system is tested in our factory by TRACTEL Greifzug GmbH.

General overhaul

The general overhaul periods are, at the latest (depending upon which occurs first):

- 250 running hours for devices with 12 or 18 m/min rope speeds,
- 500 running hours for devices with 6 or 9 m/min rope speeds.
- 10 years after manufacture

If a general overhaul has been carried out then the period commences anew.

A general overhaul of the hoist must only be undertaken by TRACTEL Greifzug GmbH or a hoisting gear workshop that has been approved by TRACTEL Greifzug GmbH.

Contact TRACTEL Greifzug GmbH or your supplier with regards to this test.

Exceptional tests

After an emergency descent, the hoist must always be tested in manual mode by TRACTEL Greifzug GmbH or a hoisting gear workshop that has been authorized by TRACTEL Greifzug GmbH (see '10.3 Emergency descent' on page 16).

Any damaged or worn part found must always be replaced.

15.3 Reading the running hours counter

The running hours counter is located in the hoist's terminal box. The running hours counter counts the time in which the hoist is in operation as running hours (UPWARD or DOWNWARD movements).



Danger of death due to electric shock!

- Disconnect the hoist from the power supply by pulling out the plug.
- Pull out the power plug.
- Open the terminal box.
- Read the running hours counter:
- Note the running hours in the logbook.
- Close the terminal box.

15.4 Care and maintenance

Interval	Work	Implementation
Daily	<ul style="list-style-type: none"> - Check the anchorage of the hoist - Inspect the rope for clinging dirt 	Operating personnel
Weekly	- Check the rope, see page 19	Operating personnel
	- Check the connecting cable and control cable	
Every 50 running hours	- Traction sheave external teeth (only model series X 3050), see page 20	Operating personnel
1 x annually	- Hoist safety inspection	Authorized maintenance personnel

Interval	Work	Implementation
250 ¹⁾ / 500 ²⁾ Running hours / after 10 years ³⁾	- General overhaul of the hoist	TRACTEL Greifzug GmbH or a hoisting gear workshop that has been approved by TRACTEL Greifzug GmbH
Whenever necessary	See page 19:	Trained person nominated by the operator
	<ul style="list-style-type: none"> - Clean the rope - Lubricate the rope - Replace the rope 	
	- Replace the cable	Electrician

1) Devices with 12 or 18 m/min rope speed

2) Devices with 6 or 9 m/min rope speed

3) Depending upon which occurs first

Rope



Risk of injury through stabs and cuts!

Broken wires in the wire rope can result in protruding wires! Protruding wires can cut or stab through safety gloves!

- Wear suitable leather protective gloves when working with wire ropes.
- Never let the wire rope run through your hands.

Cleaning

Brush the dirt off soiled ropes when dry if necessary. Re-lubricate as necessary.

Use the brush attachments to clean the rope at the hoist in an extremely dirty environment.

Lubrication



Danger of falling and danger from falling objects due to slippery or damaged ropes or brake failure and malfunctions!

Might result in severe injuries or even death!

- Do not lubricate the rope using a lubricant that contains disulfide (e.g. Molycote®).
- Use multi-purpose grease or oil.
- Cleaning the rope or products in contact with the rope using high pressure cleaners is prohibited! Moisture will result in malfunctions and damage to the motor, brake and the electrical equipment.
- Dirt on the wire rope will result in premature wear or the corrosion of the wire rope, rigging and hoist.

Replacement

Replace the ropes immediately if the withdrawal criteria in accordance with Table 7 have been reached (as per ISO 4309 and

DIN 15020, Sheet 2) or typical rope defects are present, see Fig. 13. Determining the rope diameter: See Fig. 9.

Nominal diameter of the rope	Design of the rope			Minimum permitted rope diameter
	Rotation-resistant	5 x 19	5 x 26	
[mm]	Number of visible broken wires in the outer strands over a length of 30 x rope's nominal diameter.			[mm]
6		8		5,9
8	10	8	11	7,5
9	10	8		8,5
10	8		11	9,3
14	10		11	13,1

Table 7

Implementation: See '12 Dismantling' on page 17 and '9.3 Assembly' on page 11.

Renewing rope tips

Send the rope to TRACTEL Greifzug GmbH or an lifting equipment service company authorized by TRACTEL Greifzug GmbH and have the tip replaced.

Power supply and control cables

The cables must be replaced by an electrician if any damage has been caused to the insulation or the cable connectors.

Hoist



Danger of falling and danger from falling objects due to slippery or damaged ropes or brake failure and malfunctions!

Might result in severe injuries or even death!

- Cleaning the rope or products in contact with the rope using high pressure cleaners is prohibited! Moisture will result in malfunctions and damage to the motor, brake and the electrical equipment.
- Dirt on the wire rope will result in premature wear or the corrosion of the wire rope, rigging and hoist.

See the separate maintenance instructions provided for trained personnel.

Motor, gearbox and brake

The motor, gearbox and brake are maintenance-free until the number of permitted running hours are realized (general overhaul).

- Clean the outside if heavily soiled.
- Keep the brake free of oil and grease.

Traction sheave external teeth (model series X 3050)

Specification of grease, see '4.4 Operating fluids' on page 8.

- Apply the grease gun to the lubrication nipple (1), see Fig. 15.
- Lubricate the lubrication nipple with 3–5 pumps (approx. 5 cm³).
- Let the hoist run for approximately two seconds in the UPWARD and DOWNWARD directions.
- Lubricate the lubrication nipple with 3–5 pumps (approx. 5 cm³).

15.5 Adjustment

Adjusting the load limiting device



Risk of being injured by falling objects!

Might result in severe injuries or even death!

- The load limiting device may only be implemented by personnel authorized by the system manufacturer or TRACTEL Greifzug GmbH.
- Observe the details in this instruction manual.
- Always abide by the details given in the order specifications for special versions.

Hoists with a load bearing capacity of 1,000 kg or greater are equipped with a mechanical load limiting device. Hoists with a load bearing capacity up to 1,000 kg can be optionally equipped with an electrical or a mechanical load limiting device.

Hoists fitted with mechanical load limiting devices cannot normally be set up to activate with an overload that is less than 90% of the hoist's maximum working load.

The hoist's load limiting device has been set up in the factory to activate with a maximum permitted overload of 125% of the maximum working load.

The maximum overload must be lifted in order to set the load limiting device.

$$\text{Overload} = \text{maximum operating load} + 25\%$$

Adjusting the mechanical load limiting device

Model series X 300 to X 1530

See Fig. 17.

- Only load load lifting equipment with the calculated overload.
- Raise the load.
The load limiting device must react and stop the UP travel of the hoist within the first 10 cm.

If the load limiting device does not react:

- Remove the blanking plug (1).
 - Loosen the brass screw (2).
 - Insert an 8 mm, 150 mm-long Allen key into the setting screw (3).
 - Loosen the setting screw (3) until the load limiting device reacts.
 - Lower the overload to the ground.
 - Raise the overload again.
- The load limiting device must react. Otherwise repeat the procedure.

The load limiting device must not react when the hoist is loaded to the maximum operating load.

- The load lifting equipment must be loaded with the maximum working load.
 - Raise until the load lifting equipment hangs freely.
- The load limiting device must not react when lifting the load.

If the load limiting device reacts:

- Lower the load to the ground.
 - Insert an 8 mm, 150 mm-long Allen key into the setting screw (3).
 - Tighten the setting screw (3) one half turn.
 - Raise the load again.
- The load limiting device must not react when lifting the load.

If setting screw (3) was adjusted, repeat the test with the maximum overload.

- Only load lifting equipment with the calculated overload.
 - Raise the load.
- The load limiting device must react and stop the UP travel of the hoist within the first 10 cm.
- Tighten the brass screw (2).
 - Replace the blanking plugs (1) and secure with red sealing wax.

Type series X 3050

See Fig. 18.

- Only load lifting equipment with the calculated overload.
 - Raise the load.
- The load limiting device must react and stop the UP travel of the hoist within the first 10 cm.

If the load limiting device does not react:

- Remove the blanking plug (1).
- Loosen the lock nut (5) with the socket wrench.
- Insert an 8 mm, 150 mm-long Allen key into the setting screw (3).
- Tighten the setting screw (3) until the load limiting device reacts.
- Lower the overload to the ground.

- Raise the overload again.
- The load limiting device must react. Otherwise repeat the procedure.

The load limiting device must not react when the hoist is loaded to the maximum operating load.

- The load lifting equipment must be loaded with the maximum working load.
 - Raise until the load lifting equipment hangs freely.
- The load limiting device must not react when lifting the load.

If the load limiting device reacts:

- Lower the load to the ground.
 - Insert an 8 mm, 150 mm-long Allen key into the setting screw (3).
 - Tighten the setting screw (3) one half turn.
 - Raise the load again.
- The load limiting device must not react when lifting the load.

If setting screw (3) was adjusted, repeat the test with the maximum overload.

- Only load lifting equipment with the calculated overload.
 - Raise the load.
- The load limiting device must react and stop the UP travel of the hoist within the first 10 cm.
- Tighten the lock nut (5) with the socket wrench.
 - Replace the blanking plugs (1) and secure with red sealing wax.

Adjusting the electronic load limiting device (optional)



DANGER!

Danger of death due to electric shock!

- Disconnect the power supply to the hoist by disconnecting the connector before opening the terminal box.
- Do not touch any conducting parts when performing the adjustment.
- Cover conducting parts if necessary.

Risk of being injured by falling objects!

Might result in severe injuries or even death!

- The load limiting device may only be implemented by personnel authorized by the system manufacturer or TRACTEL Greifzug GmbH.
- Observe the details in this instruction manual.

The electronic load limiting device reacts to the power consumption of the motor. Hoists with two speeds are equipped with two electric load limiting devices. The adjustment must be made for both load limiting devices and speeds. The overload is recognized when lifting.

A lower limiting value, e. g. due to a lower load bearing capacity of the anchoring points, must only be set by authorized maintenance personnel.

Default setting

See Fig. 19.

- Remove the sealing wax on the controllers (1) and (2).
- Turn the upper controller (1) for the rated power to the right to the limit.
- Turn the lower controller (2) for the start monitoring to the right to the limit.

Adjusting the overload

- Only load load lifting equipment with the calculated overload.
- While lifting the excessive load turn the upper controller (1) to the left until the hoist stops.
- Lower the excessive load until the rope is unloaded.
- Raise the excessive load again:
The hoist must stop as soon as it comes under load.

Adjusting the start override

- Load the load raising equipment with the nominal load.
- Raise the nominal load from the ground.
- Turn the lower controller (2) to the left to the limit.
- Press the UP button.
The hoist must stop immediately.

Note:

Briefly press the DOWN button every time after stopping the hoist during this setting procedure in order to re-enable the raising movement.

- Turn the lower controller (2) slightly to the right.
- Press the UP button.
- Repeat the procedure until it becomes possible to raise the nominal load.
- Seal both controllers with sealing wax.

15.6 Ordering spare parts

Spare parts lists can be requested from your supplier or directly from TRACTEL Greifzug GmbH.

The details needed to place the order are listed on the separate component's nameplates, see 'Nameplate and warning signs / application restrictions' on page 7.

The required information is e.g.:

Rope drive: Article no., tirak™ model / Tractel® model, rope diameter, serial number

Motor: Article no., Motor model

Brakes: Article no., Type and coil voltage of the brake

Electrical controls: Number of the circuit diagram

16 Disposal and environmental protection

The equipment is made from recyclable materials. If the equipment is later scrapped, it must be disposed off correctly. The national versions of the waste legislation directive 2008/98/EC apply within the European Union.

The manufacturer is obliged to take back and dispose of specific electrical and electronic components in accordance with Directive 2002/96/EC. The following symbol is used on the nameplate of such components to identify them:



17 Troubleshooting


DANGER!

Risk of being injured by falling objects!

The load lifting equipment may tip over if it jams!

- Stop the hoist immediately.
- Determine the cause and eliminate the fault.

Fault	
Cause	Elimination
The motor starts but the rope does not move.	
Rope jam in the hoist due to damaged or incorrect rope. Obstructed rope exit.	<ul style="list-style-type: none"> – Support the load (e.g. with a wedge clamp or lever hoist). – Cut the rope in front of and behind the hoist. – Send the hoist to be repaired. – When available, install a new rope in replacement hoist.
The load has jammed or is tied in place.	<ul style="list-style-type: none"> – Carefully free or untie the load. – Check the rope, rigging and load lifting equipment for their operating safety.
Hoist operation is not possible.	
Control unit not switched on.	<ul style="list-style-type: none"> – Switch on control unit.
EMERGENCY-STOP button pressed.	<ul style="list-style-type: none"> – Unlock the EMERGENCY-STOP button.
EMERGENCY limit switch reached.	<ul style="list-style-type: none"> – Move downwards in emergency mode until the limit switch is free.
EMERGENCY limit switch is defective.	<ul style="list-style-type: none"> – Have an electrician check or replace the limit switch.
Disconnected mains supply.	<ul style="list-style-type: none"> – Clarify the cause and eliminate the fault.
Power supply cable between the mains connection and the control unit disconnected.	<ul style="list-style-type: none"> – Check all cables and connections and repair as necessary.
Power supply connected incorrectly or the neutral conductor is missing.	<ul style="list-style-type: none"> – Have the connection repaired by an electrician. – If necessary, have it modified by the manufacturer.
Protective cut-out tripped after overheating due to insufficient motor cooling.	<ul style="list-style-type: none"> – Clean motor cover.
Protective cut-out tripped due to overheating caused by the voltage being too high or too low.	<ul style="list-style-type: none"> – Have an electrician measure the voltage and power consumption when subjected to load. – Increase the wire cross-section if necessary.
Two poles in the power supply cable are switched. The built-in reverse polarity protection locks out the control unit.	<ul style="list-style-type: none"> – Turn the phase reverser in the plug by 180°, see Fig. 21.
The brake does not open (no click when switching on / off) because the power supply, brake coil, or rectifier are defective.	<ul style="list-style-type: none"> – Have the power supply, brake coil and rectifier checked by an electrician and repair or replace.
The brake does not open (no click when switching on / off) because the brake rotor is worn.	<ul style="list-style-type: none"> – Send the hoist to the manufacturer for repairs or hand over to a specialist hoist workshop.

EN

EN

Fault	
Cause	Elimination
The suspended load continues to be lowered slowly when stopped.	
Defective or dirty operating brake (spring-applied brake) on the hoist	<ul style="list-style-type: none"> – Lower the suspended load down to the ground. – Send the hoist to the manufacturer for repairs or hand over to a specialist hoisting gear workshop.
The load cannot be lifted / pulled although the rope can be lowered / slackened.	
The load has jammed on an obstacle.	<ul style="list-style-type: none"> – Carefully move the load downwards and remove the obstacle. – Check the rope, rigging and lifting equipment to confirm their operating safety.
The rope has run out of the hoist completely after lowering or slackening without a load.	<ul style="list-style-type: none"> – Feed the rope back in. – Clarify the cause. – Avoid repeating, e.g. by using a longer rope.
Fault in the UP control circuit of the hoist.	<ul style="list-style-type: none"> – Have the connections, wiring and cut-outs checked by an electrician and repair if necessary.
Limit switch UP faulty or tripped.	<ul style="list-style-type: none"> – Move down until the limit switch is free. – Check the limit switch and replace if necessary.
Poor motor performance due to a defective starter capacitor (single phase motor).	<ul style="list-style-type: none"> – Have the starter capacitor checked by an electrician and replace if necessary.
Defective centrifugal switch (start capacitor overloaded, single phase motor).	<ul style="list-style-type: none"> – Measure the current on the auxiliary winding in the terminal box. Repairs should only be carried out by TRACTEL Greifzug GmbH.
Traction sheave worn.	<ul style="list-style-type: none"> – Replace the hoist as soon as possible and have it checked / repaired by TRACTEL Greifzug GmbH or an authorized hoisting gear workshop.
The motor hums intensively or the rope drive creaks although UP and DOWN travel is possible.	
Overheating caused by poor motor cooling.	<ul style="list-style-type: none"> – Clean motor cover.
Overheating due to the voltage being too high or too low.	<ul style="list-style-type: none"> – Have an electrician measure the voltage and power consumption when subjected to load. – Increase the wire cross-section if necessary.
ATTENTION! Dirt in the rope drive. Rope and rope drive might be damaged.	<ul style="list-style-type: none"> – Replace the hoist as soon as possible and have the hoist checked / repaired by TRACTEL Greifzug GmbH or an authorized hoisting gear workshop.
The load cannot be lowered / slackened although the rope can be lifted / pulled.	
The load has come to rest on an obstacle or has jammed on an obstacle.	<ul style="list-style-type: none"> – Carefully move the load upwards and remove the obstacle. – Check the rope, rigging and lifting equipment to confirm their operating safety.
Fault in the DOWN control circuit of the hoist.	<ul style="list-style-type: none"> – Trigger emergency descent by releasing the brake, see '10.3 Emergency descent' on page 16. – Have the connections, wiring and cut-outs checked by an electrician and repair if necessary.

18 EU Declaration of Conformity (Extract)



The manufacturer hereby declares

TRACTEL Greifzug GmbH
Scheidtbachstraße 19–21 51469 Bergisch Gladbach

represented by

Dipl.-Ing. Denis Pradon
Managing Director

DECLARATION OF CONFORMITY

that the machine described complies with technological safety standards that were applicable to the equipment in the EUROPEAN UNION when it was launched on the market by the manufacturer.

APPLICABLE DIRECTIVES AND STANDARDS:

2006/42/EC; 2006/95/EC; 2004/108/EC

EN 14492-1; EN ISO 12100-1; EN ISO 12100-2; EN ISO 14121-1; EN ISO 13849-1; EN 60204

DESIGNATION

Rope traction hoist

APPLICATION

Transport of material

MODEL

X 300, X 400, X 500, X 800, X 1020, X 1230, X 1530, X 3050, T 1000, T 1020

SERIAL NUMBER

Year of manufacture

from 01.2010

Responsible for the documentation:

Dipl.-Ing. Denis Pradon, Tel.: +49 (0) 2202 1004 0

Bergisch Gladbach, date

EN

EN

Inhaltsverzeichnis

1	Allgemeines	2	14	Transport und Lagerung	18
1.1	Verwendete Begriffe und Abkürzungen	2	14.1	Transport	18
1.2	Verwendete Symbole.....	3	14.2	Lagerung	18
2	Sicherheit	3	15	Instandhaltung	18
2.1	Allgemeine Sicherheitshinweise	3	15.1	Autorisiertes Wartungspersonal	18
2.2	Hinweise für den Betreiber.....	4	15.2	Erforderliche Prüfungen.....	19
2.3	Verantwortung des Anlagenherstellers	5	15.3	Ablesen des Betriebsstundenzählers	19
3	Übersicht	5	15.4	Pflege und Wartung.....	19
3.1	Lieferzustand	5	15.5	Einstellarbeiten	21
3.2	Lieferumfang	5	15.6	Ersatzteile bestellen	22
3.3	Gerätebeschreibung	5	16	Entsorgung und Umweltschutz	23
4	Beschreibung	7	17	Fehlersuche / Störungsbeseitigung	24
4.1	Funktionsbeschreibung.....	7	18	EG-Konformitätserklärung (Auszug)	26
4.2	Komponenten/Baugruppen	7			
4.3	Technische Daten	8			
4.4	Betriebsmittel	8			
4.5	Stromlaufplan.....	8			
4.6	Bedieneinheit	8			
4.7	Sicherheitseinrichtungen.....	9			
4.8	Befestigung	9			
4.9	Belastungsgrenzen	9			
5	Seile	10			
6	Optionales Zubehör	10			
7	Optionen	10			
8	Notwendiges Zubehör	10			
9	Installation und Inbetriebnahme	10			
9.1	Richtlinien und Normen.....	10			
9.2	Prüfungen vor Beginn der Montage	10			
9.3	Montage	11			
9.4	Inbetriebnahme	14			
10	Bedienung/Betrieb	15			
10.1	Prüfungen vor Arbeitsbeginn	15			
10.2	Betrieb.....	15			
10.3	Not-Ablass	16			
10.4	Abschaltung bei Überlast.....	17			
11	Vorhersehbarer Missbrauch	17			
12	Demontage	17			
13	Außer Betrieb setzen	18			
13.1	Arbeitsunterbrechung.....	18			
13.2	Vorübergehend stillsetzen	18			
13.3	Dauerhaft außer Betrieb setzen.....	18			



GEFAHR!

Verletzungsgefahr durch herabfallende Gegenstände, Fehlfunktionen, falsche Nutzung und Fehlbedienung!

Beachten Sie diese Anleitung nicht:

können schwerste Verletzungen und der Tod die Folge sein, können Schäden am Gerät entstehen.

- Lesen Sie diese Anleitung sorgfältig durch, bevor Sie dieses Gerät montieren und in Betrieb nehmen.
- Beachten Sie die Hinweise und Verhaltensregeln, die für einen sicheren Betrieb des Geräts notwendig sind.

1 Allgemeines

Urheberrecht

Das Urheberrecht an dieser Anleitung verbleibt bei der TRACTEL Greifzug GmbH.

Diese Anleitung ist nur für den Betreiber der darin beschriebenen Anlagen sowie dessen Personal bestimmt. Diese Anleitung muss dem Bediener jederzeit zugänglich sein. Weitere Exemplare können angefordert werden.

Ohne Zustimmung der TRACTEL Greifzug GmbH dürfen keine Bestandteile dieser Anleitung vervielfältigt, verbreitet oder anderweitig mitgeteilt werden.

DE

Zuwiderhandlungen können strafrechtliche Folgen haben.

Anschrift des Herstellers

Verkaufs- und Servicestelle:

TRACTEL Greifzug GmbH

Scheidtbachstraße 19-21
51469 Bergisch Gladbach, Deutschland

Postfach 20 04 40
51434 Bergisch Gladbach, Deutschland

Telefon: +49 (0) 22 02 / 10 04-0
Telefax: +49 (0) 22 02 / 10 04-50 + 70

Die TRACTEL Greifzug GmbH behält sich das Recht vor, im Zuge der Produktverbesserung jegliche Änderungen an dem in dieser Anleitung beschriebenen Produkt vorzunehmen.

Kunden können über die Unternehmen der TRACTEL-Gruppe und die von der TRACTEL-Gruppe autorisierten Instandhalter auf Anfrage Dokumentationen über andere TRACTEL-Produkte erhalten: Hebezeuge und deren Zubehör, fest installierte oder mobile Arbeitsbühnen zur Innen- und Außenbefahrung von Gebäuden, Anschlagmittel, Abfangsicherungen für Lasten, Persönliche Schutzausrüstung gegen Absturz, Zugkraft- und Seilspannungsmessgeräte, etc. Besuchen Sie hierfür auch die TRACTEL-Website www.tractel.com.

Die TRACTEL-Gruppe und ihr Händlernetzwerk bieten Ihnen bei Bedarf zusätzlich Kunden- und Reparaturservice.

1.1 Verwendete Begriffe und Abkürzungen

In dieser Anleitung haben die folgenden Begriffe diese Bedeutung:

Anlage / Maschine

Im Sinne der Maschinenrichtlinie 2006/42/EG gelten Lastaufnahmemittel, Hebezeuge, Sicherheitsbauteile und Anschlagmittel zum Heben als Maschine. Mit Anlage oder Maschine wird auch die Einrichtung bezeichnet, in die die hier beschriebene Maschine eingebaut wird.

Anlagenhersteller

Der Anlagenhersteller (Anlagenplaner, Anlagenhersteller, Montagebetrieb) ist der Inverkehrbringer der Anlage und aller notwendigen Komponenten. Der Anlagenhersteller ist für den Entwurf, die Herstellung, den Einbau und das Inverkehrbringen verantwortlich.

Anschlagmittel

Anschlagmittel sind nicht zum Hebezeug gehörende Einrichtungen, die eine Verbindung zwischen Tragmittel und Last oder Tragmittel und Lastaufnahmemittel herstellen (z. B. Seilschlaufen, Rundschlingen, Schäkel, Wirbelhaken, Ösenhaken, Umlenkrollen).

Anschlagpunkt, Aufhängepunkt

Teil der bauseitigen Aufhängekonstruktion, an dem Tragseil, Sicherheitsseil, Umlenkrollen oder das Hebezeug unabhängig voneinander angeschlagen werden.

Aufsichtführender

Der Aufsichtführende wird vom Betreiber benannt und ist vor Ort für die Arbeitssicherheit verantwortlich.

Bediener

Person, die vom Betreiber in die Bedienung des Produktes eingewiesen und mit dem Gebrauch betraut ist.

Betreiber

Der Betreiber ist für den ordnungsgemäßen Betrieb der Anlage/des Geräts sowie für die Einhaltung der Wartungsintervalle und die Durchführung der Instandsetzungsarbeiten verantwortlich.

Betriebsstunden

Betriebsstunden sind die Summe der effektiven Betriebszeiten des Motors einer Winde.

Elektrofachkraft

Elektrofachkraft ist, wer über ausreichende Kenntnisse verfügt oder durch eine Ausbildung die notwendigen Qualifikationen erworben hat, Risiken zu erkennen und Gefährdungen zu vermeiden, die von der Elektrizität ausgehen können.

Gesamt-Hängelast

Die Gesamt-Hängelast ist die auf die Aufhängung einwirkende statische Last, die sich aus der Nutzlast, dem Eigengewicht des Lastaufnahmemittels, der Zusatzausrüstung, den Drahtseilen und den Steuer- und Anschlusskabeln zusammensetzt.

Hebezeug / Maschine zum Heben von Lasten

Gerät oder Einrichtung bestehend aus einem Gerät mit Tragmitteln zum Heben oder Transportieren von Lasten (z. B. Seilwinde oder Seilwinde mit Seil und Wirbelhaken).

Kunde/Endkunde

Der Kunde oder Endkunde ist der Kunde des Anlagenherstellers und kann gleichzeitig auch der Betreiber sein.

Lastaufnahmemittel (LAM)

Ein nicht zum Hebezeug gehörendes Bauteil oder Ausrüstungsteil, das das Ergreifen der Last ermöglicht und das zwischen Maschine und Last oder an der Last selbst angebracht wird oder das dazu bestimmt ist, ein integraler Bestandteil der Last zu werden. Als Lastaufnahmemittel gelten auch Anschlagmittel und ihre Bestandteile.

Materialaufnahmemittel (MAM)

Lastaufnahmemittel für Material.

Maximale Betriebslast

Die maximale Betriebslast gibt an, mit welcher Last das Produkt maximal belastet werden darf. Die maximale Betriebslast ist auf dem Typenschild angegeben.

Nutzlast

Die Nutzlast ist die Last, die durch das Produkt gehoben, gezogen oder gehalten wird. Durch Einscheren nach dem Flaschenzugprinzip kann die Nutzlast größer als die maximale Betriebslast werden. Die maximale Betriebslast darf durch das Einscheren nicht überschritten werden.

Sachkundige Person

Eine benannte und entsprechend ausgebildete Person, die durch ihre Kenntnisse und praktischen Erfahrungen in der Lage ist, mit den benötigten Anweisungen versehen, die erforderlichen Arbeiten sicher auszuführen.

Seilberührende Produkte

Seilberührende Produkte sind Winden, Umlenkrollen, Fangvorrichtungen und sonstige Produkte, durch die das Seil hindurchläuft oder die mit Seilen im Kontakt sind.

Tragmittel

Ein Tragmittel ist eine mit dem Hebezeug verbundene Einrichtung zur Aufnahme von Lastaufnahmemitteln, Anschlagmitteln oder Lasten (z. B. ein mit dem Trageil fest verbundener Haken).

Wartungspersonal

Eine benannte und von der TRACTEL Greifzug GmbH geschulte Person mit gültigem Zertifikat, die in der Lage ist, mit den benötigten Anweisungen versehen, die erforderlichen Wartungs-, Prüf- und Instandsetzungsarbeiten sicher auszuführen.

1.2 Verwendete Symbole

**GEFAHR!****Art und Quelle der Gefahr.**

Folge: z. B. Tod oder schwere Verletzungen.

- Maßnahmen, mit denen die Gefahr vermieden wird.

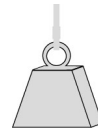
ACHTUNG!**Art und Quelle der Gefahr.**

Folge: z. B. Sachschäden oder Umweltschäden.

- Maßnahmen, mit denen Schäden vermieden werden.

Hinweis:

Dieses Symbol kennzeichnet keine Sicherheitshinweise, sondern gibt Informationen zum besseren Verständnis der Abläufe.



Mit diesem Symbol sind Geräte für den Materialtransport gekennzeichnet.



Mit diesem Symbol sind Geräte für den Personen- und Materialtransport gekennzeichnet.

DE

2 Sicherheit

2.1 Allgemeine Sicherheitshinweise

**GEFAHR!****Gefahr von schweren Unfällen durch Fehlfunktionen, falsche Nutzung und Fehlbedienung!**

- Beachten Sie folgende Angaben, damit der sichere Betrieb und die ordnungsgemäße Funktion des Gerätes gewährleistet sind!
- Beachten Sie auch die speziellen Sicherheitshinweise für alle auszuführenden Arbeiten in den einzelnen Kapiteln dieser Anleitung.
- Fehlerhafte oder beschädigte Produkte, Zubehörteile und Anschlagmittel dürfen nicht eingesetzt werden.
- Es dürfen nur die vorgeschriebenen und für die Anwendung zugelassenen Original-Seile verwendet werden. Beachten Sie die Angaben über die Seilart und den Seildurchmesser.
- Seil, seilberührende Produkte und Anschlagmittel dürfen nicht mit stark verschmutzenden Baumitteln, wie z. B. Beton, Epoxidharz oder sonstigen haftenden Materialien verunreinigt werden. Schützen Sie die Produkte vor Verunreinigungen! In stark verschmutzter Umgebung Bürstenvorsätze für die Seilreinigung verwenden.
- Bei Sandstrahl- oder Lackierarbeiten in der Nähe der Winde die Winden abdecken, damit die Wirkung der Bremse nicht beeinträchtigt wird.
- Beachten Sie die Abergereife des Seils, siehe '15.4 Pflege und Wartung, Seil' auf Seite 20.
- Regelmäßig reinigen.
- Alle Verschraubungen auf festen Sitz prüfen.
- Beschädigte Teile austauschen bzw. fachkundig reparieren lassen. Reparaturen dürfen nur durch eine Fachwerkstatt oder durch die TRACTEL Greifzug GmbH durchgeführt werden.
- Das Reinigen des Seils oder von seilberührenden Produkten mit einem Hochdruckreiniger ist verboten! Eindringende Feuchtigkeit führt zu Fehlfunktionen und Schäden an mechanischen Einrichtungen (z. B. Bremsen, Kugellager) und der elektrischen Ausrüstung.

- Schmutz am Seil führt zum vorzeitigen Verschleiß oder zur Zerstörung von Seil, Anschlagmittel und seilberührenden Produkten.
- Das Seil darf nicht mit Disulfid-haltigen Schmierstoffen (z. B. Molycote®) geschmiert werden.
- Beachten Sie die Sicherheitsdatenblätter der Hersteller der Schmierstoffe.
- Beachten Sie die Hinweise für Transport, Lagerung und Reinigung ab Seite 18.
- Befestigungsmittel müssen den Angaben in dieser Anleitung bzw. den gültigen Normen/Richtlinien entsprechen.
- Die maximale Betriebslast darf nicht überschritten werden.
- Motoren können während des Betriebes heiß werden. Motoren nicht berühren.
- Der Betrieb ohne Stopfen am Motor (Position 3, siehe Abb. 16) ist verboten. Eindringende Feuchtigkeit kann die Wirkung der Bremse beeinträchtigen. An der freiliegenden Motorwelle besteht Verletzungsgefahr.
- Bei Gewitter und Sturm ist der Betrieb im Freien verboten. Es besteht Gefahr durch Blitzschlag oder Kippen der Last durch Windböen.
- Bereits bei der Arbeitsplanung sind die örtlichen Klima- und Windverhältnisse zu berücksichtigen: Im Zweifelsfall vor Arbeitsbeginn die zu erwartenden Wetter- und Windbedingungen beim Wetteramt anfragen.
- Instandsetzungs- und Wartungsarbeiten dürfen nur von autorisiertem Wartungspersonal durchgeführt werden, siehe '15.1 Autorisiertes Wartungspersonal' auf Seite 18.
- Selbstsichernde Muttern dürfen nicht wiederverwendet werden und müssen ausgetauscht werden.
- Montage und Bedienung dürfen nur durch geschultes und eingewiesenes Personal unter Berücksichtigung dieser Anleitung erfolgen.
- Private Anwender sind verpflichtet, sich durch die TRACTEL Greifzug GmbH in der Montage, der Bedienung und der Wartung des Geräts schulen zu lassen.
- Arbeiten an elektrischen Ausrüstungen dürfen nur von einer Elektrofachkraft oder von unterwiesenen Personen unter Leitung und Aufsicht einer Elektrofachkraft gemäß den elektrotechnischen Normen, Vorschriften und Regeln vorgenommen werden.
- Um elektrische Gefährdungen zu vermeiden, muss der elektrische Anschluss wie unter '9.3 Montage, Elektrischer Anschluss' auf Seite 12 beschrieben ausgeführt werden.
- Nicht unter schwebenden Lasten aufhalten. Wenn nötig, Gefahrenbereich absperren. Verhakete oder verklemmte Lasten abfangen und sichern.
- Während des Betriebs nicht an das Seil greifen.
- Während des Betriebs nicht an den Ein- oder Auslauf von seilberührenden Produkten greifen. Es besteht Einzugs- und Quetschgefahr.
- Abhängig von der Einbausituation der Winde kann das Tragen eines Gehörschutzes notwendig sein.

- Wenn die Last bauseitig nicht geführt werden kann, muss ein drehungsarmes Seil mit Wirbelhaken oder Seilwirbel verwendet werden.
- Bei Schweißarbeiten sind die nationalen Sicherheits- und Arbeitsschutzbestimmungen zu beachten (z.B. in Deutschland BGR 159).

2.2 Hinweise für den Betreiber

- Ist mehr als eine Person mit einer der hier beschriebenen Tätigkeiten betraut, so hat der Betreiber einen Aufsichtführenden zu bestimmen, der weisungsbefugt ist.
- Der Betreiber ist dafür verantwortlich, klare Bedienungs-, Instandhaltungs-, Wartungs- und sonstige Betriebsanweisungen bereitzustellen und durch Schulung und Anweisung des Personals den sachgerechten und bestimmungsgemäßen Betrieb und die sachgerechte Bedienung des Geräts sicherzustellen.
- Angebrachte Warnaufkleber und Hinweisschilder müssen jederzeit lesbar sein. Fehlende oder nicht mehr lesbare Warnaufkleber und Hinweisschilder müssen umgehend ersetzt werden.
- Der Betreiber ist für den ordnungsgemäßen Betrieb der Anlage sowie für die Einhaltung der Wartungsintervalle und die Durchführung von Wartungsarbeiten verantwortlich.
- Der Betreiber ist verpflichtet, das mitgelieferte Logbuch zu führen.
- Innerhalb der Europäischen Union gilt die EU-Richtlinie 89/391/EWG (in Deutschland die Betriebsicherheitsverordnung (BetrSichV)). Die nationalen Arbeitsschutzbestimmungen im Betreiberland müssen beachtet werden.
- Stellen Sie geeignete Schutzausrüstung zur Verfügung, wie z. B. Schutzhandschuhe, Gehörschutz und Absturzsicherung. Zur persönlichen Schutzausrüstung gehört auch der Schutz gegen extreme Witterungsbedingungen (z. B. Sonnenschutz, Kälteschutz).
- Sorgen Sie immer für eine ausreichende Beleuchtung des Arbeitsplatzes.
- Dem beauftragten Personal müssen diese Anleitung sowie die Anleitungen der Zubehörteile ausgehändigt werden. Die Dokumente müssen jederzeit zugänglich sein.
- Da die TRACTEL Greifzug GmbH den späteren Anwendungsfall des hier beschriebenen Produkts nicht kennt, ist der Betreiber dazu verpflichtet, sein Personal über weitere Sicherheitshinweise sowie über ergänzende Wartungsarbeiten zu informieren.
- Für die Wahl der Befestigungsmethode und geeignete Anschlagmöglichkeiten ist der Betreiber der Anlage verantwortlich.
- Befestigungsmittel müssen den Angaben in dieser Anleitung bzw. den gültigen Normen/Richtlinien entsprechen.
- Wenn keine Original-Ersatzteile verwendet werden, ist der sichere Betrieb nicht gewährleistet. Dieses gilt insbesondere, wenn nicht die vorgeschriebenen und für die Anwendung zugelassenen Original-Seile verwendet werden. Der Garan-

tianspruch gegenüber dem Hersteller entfällt. Bei Produkten mit CE-Kennzeichnung verliert diese ihre Gültigkeit.

- Beachten Sie den zulässigen Temperaturbereich, siehe Tabelle 1 auf Seite II.

2.3 Verantwortung des Anlagenherstellers

- Der Anlagenhersteller ist für den Entwurf, die Herstellung, den Einbau und das Inverkehrbringen sowie für die CE-Kennzeichnung der Anlage und die Ausstellung der EG-Konformitätserklärung verantwortlich.
- Die im Lieferumfang der TRACTEL Greifzug GmbH enthaltenen Produkte müssen vom Anlagenhersteller sorgfältig ausgewählt, bestimmungsgemäß verwendet und gemäß den Angaben dieser Montage- und Bedienungsanleitung montiert werden.
- Die Informationen und Hinweise dieser Montage- und Betriebsanleitung müssen in die Betriebsanleitung und Dokumentation des Anlagenherstellers eingearbeitet und durch anlagenspezifische Angaben (z.B. Vorgehensweise bei Störungen und Blockierungen) ergänzt werden. Eine einfache Weitergabe dieser Anleitung an den Betreiber ist nicht ausreichend.
- Ggf. muss ein Prüfbericht beigelegt werden, in dem die statischen und dynamischen Prüfungen im Einzelnen beschrieben sind.
- Angaben zur Wartung des Produkts und des Zubehörs müssen in das Wartungsheft der Anlage eingearbeitet werden.

3 Übersicht

3.1 Lieferzustand

Die Lieferung erfolgt komplett montiert.

3.2 Lieferumfang

- Winde mit Steuer- und Anschlusskabel (fest verdrahtet) gemäß Bestellspezifikation
- tirak™-Drahtseil gemäß Bestellspezifikation
- Original-Montage- und Betriebsanleitung
- Stromlaufplan
- Logbuch
- Prüfzertifikate
- CE-Konformitätserklärung
- Endschalter zum Abschalten von Hub- und Zugbewegungen gemäß Bestellspezifikation

Lieferumfang optional

- Hängetaster, steckbar
- Zentralsteuerung, steckbar
- elektronische oder mechanische Hubkraftbegrenzung
- Umlenkrolle
- Bürstenvorsätze zum Reinigen des Seils

Die Längen des Steuerkabels und des Anschlusskabels werden bei der Bestellung festgelegt. Siehe auch '6 Optionales Zubehör' auf Seite 10, '7 Optionen' auf Seite 10 und 'Elektrischer Anschluss' auf Seite 12.

3.3 Gerätebeschreibung

Bestimmungsgemäßer Gebrauch

Winde

Die Winden sind für das Heben und Senken sowie das Ziehen und Nachlassen oder Verfahren von Lasten vorgesehen. Das Produkt darf nur für den Materialtransport verwendet werden.

Die Verwendung beim Transport von Personen ist verboten.

Es dürfen nur die vorgeschriebenen und für die Anwendung zugelassenen Original-Seile verwendet werden. Beachten Sie die Angaben über die Seilart und den Seildurchmesser.

X-Typenreihe:

Der Einlauf des Seils ist an der Motorseite (Pfeil am Gehäuse beachten!). Das entspricht der Lastseite der Winde. Der Auslauf des Seils ist die lastlose Seite der Winde. Die lastlose Seite der Winde darf mit maximal 100 kg belastet werden (z. B. durch die Vorspannung des Seils).

T-Typenreihe:

Die Winde kann in beide Richtungen ziehen. Der Einlauf des Seils kann abhängig von der Laufrichtung an der Motorseite oder an der gegenüberliegenden Seite sein. Beim Ziehen darf die Vorspannung des Seils nicht mehr als 400 kg betragen (siehe Abb. 20 g/h).

Produktbestimmung

Das Produkt ist für den gewerblichen oder privaten Gebrauch geeignet. Der genaue Verwendungszweck wird durch den Betreiber oder den Anlagenhersteller festgelegt.

Zum Produkt gehörende Schwenkrollen, Haken, Schäkel, Ösen oder sonstige optionale Tragmittel dürfen nur in Kombination mit diesem Produkt verwendet werden.

Wenn die Last bauseitig nicht geführt werden kann, muss ein drehungsarmes Seil mit Wirbelhaken oder Seilwirbel verwendet werden.

Instandsetzungs- und Wartungsarbeiten dürfen nur von autorisiertem Wartungspersonal durchgeführt werden, siehe '15.1 Autorisiertes Wartungspersonal' auf Seite 18.

Gesundheits- und Sicherheitsanforderungen

Die TRACTEL Greifzug GmbH erklärt, dass die in dieser Anleitung beschriebene Maschine den technischen Sicherheitsbe-

stimmungen entspricht, die zum Zeitpunkt des Inverkehrbringens in der Europäischen Union durch den Hersteller für die Ausrüstung gelten.

Prüfberichte (Prüfzertifikate) sind dem Produkt beigelegt. In den Prüfberichten sind die statischen und dynamischen Prüfungen im Einzelnen beschrieben.

Der Anlagenhersteller/Betreiber ist dafür verantwortlich, dass Winden mit mechanischer Hubkraftbegrenzung innerhalb der gültigen Richtlinien und Normen und innerhalb der Anwendungsgrenzen der Winde für den Einsatzfall ausgewählt und gegebenenfalls eingestellt werden.

Die Inbetriebnahme der Maschine ist solange verboten, bis die Maschine in welche diese eingebaut wird, als Ganzes den Bestimmungen der Richtlinie 2006/42/EG sowie dem entsprechenden nationalen Rechtserlass zur Umsetzung der Richtlinie in nationales Recht entspricht und die entsprechende Konformitätserklärung ausgestellt ist.

Für Maschinen zum Heben von Lasten muss durch den Betreiber oder Anlagenhersteller eine Risikobeurteilung gemäß Anhang I der Richtlinie 2006/42/EG durchgeführt werden. EN 14492-1 muss bei der Anlagenplanung berücksichtigt werden.

Gewährleistungs- und Haftungsausschlüsse

Siehe '11 Vorhersehbarer Missbrauch' auf Seite 17.

Jede von den hier genannten Angaben abweichende Verwendung gilt als nicht bestimmungsgemäß. Für hieraus resultierende Schäden haftet die TRACTEL Greifzug GmbH nicht. Das Risiko trägt allein der Betreiber. Zur bestimmungsgemäßen Verwendung gehört auch das Beachten aller Hinweise aus dieser Anleitung, insbesondere die Einhaltung der Montage- und Instandhaltungsvorschriften.

Einsatzbereich

Das Produkt ist für folgende Betriebsbedingungen geeignet:

- Für Festeinbauten oder wechselnde Installationen
- Für kurzfristigen Betrieb: Triebwerksgruppen siehe Tabelle 1 auf Seite II
- In Höhenlagen bis maximal 1000 m über NN
- Zulässiger Temperaturbereich siehe Tabelle 1 auf Seite II



GEFAHR!

Gefahr von schweren Unfällen!

- Der 24h-Betrieb ist verboten.
- Der Einsatz in explosionsgefährdeten Bereichen ist verboten.
- Der Einsatz in korrosiver Umgebung ist verboten.¹⁾
- Der Einsatz in der Nähe von offenem Feuer oder in sehr heißer Umgebung ist verboten.
- Der Personentransport ist verboten!

¹⁾ Korrosionsschutz gemäß Bestellspezifikation

Einbaubeispiel

Siehe Abb. 20.

Bauliche Voraussetzungen

Allgemeine Hinweise

Beachten Sie die Nutzlast, die auf Hebezeug, Umlenkrolle, Anschlagmittel und Aufhängepunkt wirkt. Siehe '4.9 Belastungsgrenzen' auf Seite 9.

Wenn die Last bauseitig nicht geführt werden kann, muss ein drehungsarmes Seil mit Wirbelhaken oder Seilwirbel verwendet werden.

Seil, seilberührende Produkte und Anschlagmittel dürfen nicht mit stark verschmutzenden Baumitteln, wie z. B. Beton, Epoxidharz oder sonstigen haftenden Materialien verunreinigt werden. Schützen Sie die Produkte vor Verunreinigungen! In stark verschmutzter Umgebung Bürstenvorsätze für die Seilreinigung verwenden.

Anschlagpunkt, Aufhängepunkt

Die Auslegung der baulichen Einrichtungen zur Befestigung des Produktes muss gemäß den gültigen Richtlinien und Normen erfolgen (siehe '9.1 Richtlinien und Normen' auf Seite 10).

Bei der Auslegung der Aufhängekonstruktion muss die Gesamt-Hängelast für den Anwendungsfall berücksichtigt werden. Die Gesamt-Hängelast ist die auf die Aufhängung einwirkende statische Last, die sich aus der Nutzlast, dem Eigengewicht des Lastaufnahmemittels, der Zusatzausrüstung, den Drahtseilen und den Steuer- und Anschlusskabeln zusammensetzt.

Ggf. muss ein Prüfbericht beigelegt werden, in dem die statischen und dynamischen Prüfungen im Einzelnen beschrieben sind.

Fahrweg

Bei Hebevorgängen muss der Fahrweg mit einem oder mehreren Endschaltern begrenzt sein, so dass die Aufwärtsfahrt und/oder Abwärtsfahrt gestoppt wird.

Der Betreiber oder Anlagenhersteller muss unter Berücksichtigung seiner Risikobeurteilung die Bauform und den Anbringungsort der Endschalter festlegen.

Der Betreiber oder Anlagenhersteller muss einen Betriebsendschalter, ggf. einen Not-Endschalter und einen Boden-Endschalter einbauen und an der Winde anschließen. Die Endschalter müssen zwangsöffnend sein.

Der Abstand zwischen Endschalter und Seilbefestigung oder hervorstehenden Bauteilen muss so gewählt werden, dass die Maschine zuverlässig und rechtzeitig abschaltet. Wir empfehlen einen Mindestabstand (Maß a) von ca. 0,5 bis 1,5 m. Siehe Abb. 14.

Die Seillänge muss so gewählt werden, dass die Seilendverbindung bzw. der Lastaufnahmepunkt oder das Seilende nicht bis zum Produkt oder den Zubehörteilen gelangen bzw. eingezogen werden.

Bedieneinrichtungen

Die Bedieneinrichtung muss so positioniert werden können, dass die gefahrlose Bedienung bei allen Bewegungen der Winde jederzeit möglich ist.

Die Bedientasten müssen so angeordnet sein, dass eine Verwechslung ausgeschlossen ist.

Bei einem Hängetaster muss immer die Taste näher am Kabelaustritt die AUF-Taste sein.

Typenschilder und Hinweisschilder/Grenzen der Anwendung

Fehlende und unleserliche Typen- und Warnhinweisschilder umgehend ersetzen.

Siehe Abb. 11.

Pos.	Bezeichnung
1	Hinweisschild 'Durchmesser des Drahtseils'
2	Typenschild tirak™
3	Typenschild Bremse
4	Typenschild Elektromotor
5	Hinweisschild Notablass
6	Seilkennzeichnung

Auf den Typenschildern finden Sie notwendige Informationen.

Richtlinien und Normen

Zugrundeliegende Richtlinien und Normen: siehe '9.1 Richtlinien und Normen' auf Seite 10.

Produktvarianten in der Anleitung

In dieser Anleitung werden die in Tabelle 1 auf Seite II aufgeführten Produktvarianten beschrieben.

Betriebsstundenzähler

Der Betriebsstundenzähler befindet sich im Klemmkasten der Winde. Der Betriebsstundenzähler zählt die Zeiten als Betriebsstunden, in denen die Winde in Betrieb ist (AUF- und AB-Bewegung). Betriebsstundenzähler ablesen: siehe '15.3 Ablesen des Betriebsstundenzählers' auf Seite 19.

4 Beschreibung

4.1 Funktionsbeschreibung

Der tirak™ ist eine Winde zur Beförderung von Lasten. Die Winde wird mit einem Elektromotor betrieben. Die Winden der X-Typenreihe können in Zugrichtung des Seils heben und senken, sowie ziehen und nachlassen. Die Winden der T-Typenreihe können in beide Richtungen ziehen und werden z. B. zum Verfahren von Lasten eingesetzt. Die Bedienung erfolgt an einem Hängetaster, einem Bedienkasten oder einer Zentralsteuerung.

Die elektromagnetische Federdruckbremse schließt automatisch, wenn die Bedieneinrichtung für AUF- bzw. AB-Fahrt losgelassen wird oder wenn der Strom ausfällt. Beim Ablassen der Last durch manuelles Lüften der Federdruckbremse verhindert eine Fliehkraftbremse eine zu hohe Geschwindigkeit des Seils.

Die Nutzlast der Winde kann durch Einscheren des Seils nach dem Flaschenzugprinzip vervielfacht werden. Siehe '4.9 Belastungsgrenzen' auf Seite 9.

Durch Drücken der NOT-Halt-Taste kann die Winde in Gefahrensituationen sofort angehalten werden.

X-Typenreihe:

Winden ab 1000 kg maximale Betriebslast sind mit einer mechanischen Hubkraftbegrenzung ausgestattet. Winden bis 1000 kg maximale Betriebslast können optional mit einer elektronischen oder mechanischen Hubkraftbegrenzung ausgestattet werden.

T-Typenreihe:

Winden der T-Typenreihe können optional mit einer elektronischen Hubkraftbegrenzung ausgestattet werden.

Die Hubkraftbegrenzung löst bei Erreichen der eingestellten Überlast automatisch aus. Die Aufwärtsfahrt der Winde wird abgeschaltet. Die einzustellende maximale Überlast ergibt sich aus den gültigen Richtlinien und Normen (siehe '9.1 Richtlinien und Normen' auf Seite 10).

Der Anlagenhersteller/Betreiber ist dafür verantwortlich, die maximale Überlast abhängig vom Einsatzfall zu ermitteln und einzustellen.

Weitere Informationen siehe '15.5 Einstellarbeiten, Hubkraftbegrenzung einstellen' auf Seite 21.

4.2 Komponenten/Baugruppen

Siehe Abb. 1.

Pos.	Bezeichnung
1	Seil
2	Steckverbinder zum Endschalter ¹⁾
3	Bremslüfterhebel
4	Griff
5	Steckverbinder zur Steuerung ¹⁾
6	Klemmkasten

DE

Pos.	Bezeichnung
7	Seiltrieb
8	Tragegriff
9	Getriebe
10	Bedieneinheit ¹⁾
11	Motor
12	Steuerung (Hängetaster) ¹⁾
13	Anschlussstecker
14	Endschalter (ohne Darstellung) ¹⁾
	Optional: Frequenzumrichter (ohne Darstellung)

¹⁾ Optionaler Lieferumfang, abhängig von der Ausführung der Winde und der Bestellspezifikation

4.3 Technische Daten

Die technischen Daten finden Sie in Tabelle 1 auf Seite II.

4.4 Betriebsmittel

Getriebeöl

Getriebeöl siehe Tabelle 2 auf Seite V.

Im Normalfall ist ein Wechsel des Getriebeöls nicht notwendig.

ACHTUNG!

Falsches Getriebeöl!

Getriebschäden durch fehlende oder nicht ausreichende Schmierung!

- Verwenden Sie nur die in der Tabelle angegebenen Schmierstoffe.

Synthetisches und mineralisches Öl dürfen nicht gemischt werden!

- Spülen Sie beim Wechsel der Ölart das Getriebe mehrfach gründlich mit der neuen Ölart.
- Wechseln Sie entsprechend der neuen Ölart die Ölablassschraube (Innensechskantschraube: mineralisches Öl; Sechskantschraube: synthetisches Öl).

Schmiermittel

Verwendung	Schmiermittel
Treibscheiben-Außenverzahnung (nur Typenreihe X 3050)	hebro-chemie VARILUB oder Klüber Grafoscon C-SG 0 Ultra oder Klüber C-SG 1000 Ultra Menge ca. 10 cm ³ je Schmiervorgang
Seil	Mehrzwecköl/-fett (ohne Disulfid)

4.5 Stromlaufplan

Der Stromlaufplan befindet sich im Klemmkasten des Motors.

4.6 Bedieneinheit



GEFAHR!

Verwechslungsgefahr durch falsche Tastenbelegung.

Gefahr von schweren Unfällen!

- Steckbare Hängetaster nicht zwischen verschiedenen Winden tauschen.
- Die Taste näher am Kabelaustritt des Hängetasters muss immer die AUF-Taste sein, damit die Überlastabschaltung wirksam ist.

Je nach Ausführung wird die Winde über einen Hängetaster, einen Bedienkasten oder eine Zentralsteuerung bedient, siehe Abb. 1 und Abb. 4.

Pos.	Bezeichnung	Funktion
Mit einer Geschwindigkeitsstufe:		
1	Taste AUF	Last aufwärts bewegen / Seil ziehen: – Taste drücken und festhalten
2	Taste AB	Last abwärts bewegen / Seil nachlassen: – Taste drücken und festhalten
3	Taste NOT-Halt	Einschalten: – Taste nach rechts drehen, bis Taste herauspringt. Stromzufuhr unterbrechen: – Taste hineindrücken.
Mit zwei Geschwindigkeitsstufen:		
4	Taste AUF	Last aufwärts bewegen / Seil ziehen: – Taste halb drücken und festhalten: langsam – Taste ganz drücken und festhalten: schnell
5	Taste AB	Last abwärts bewegen / Seil nachlassen: – Taste halb drücken und festhalten: langsam – Taste ganz drücken und festhalten: schnell
6	Taste NOT-Halt	Siehe Punkt 3.

4.7 Sicherheitseinrichtungen

NOT-Halt-Taste

Mit der NOT-Halt-Taste wird die Winde im Notfall sofort angehalten.

Mechanische Hubkraftbegrenzung

X-Typenreihe:

- ab 1000 kg maximale Betriebslast Bestandteil des Lieferumfangs
- bis 1000 kg maximale Betriebslast optionaler Lieferumfang

Die Hubkraftbegrenzung löst bei Erreichen der eingestellten Überlast automatisch aus. Die Winde wird abgeschaltet. Die einzustellende maximale Überlast ergibt sich aus den gültigen Richtlinien und Normen (siehe '9.1 Richtlinien und Normen' auf Seite 10).

Der Anlagenhersteller/Betreiber ist dafür verantwortlich, die maximale Überlast abhängig vom Einsatzfall zu ermitteln und einzustellen.

Weitere Informationen siehe '15.5 Einstellarbeiten, Hubkraftbegrenzung einstellen' auf Seite 21.

Elektronische Hubkraftbegrenzung (optional)

Die elektronische Hubkraftbegrenzung schaltet bei Überlast automatisch ab. Die Hubkraftbegrenzung reagiert auf die Stromaufnahme des Motors. Winden mit zwei Geschwindigkeiten sind mit zwei elektronischen Hubkraftbegrenzungen ausgestattet.

Federdruckbremse

Die elektromagnetische Federdruckbremse schließt automatisch, wenn die Bedieneinrichtung für AUF- bzw. AB-Fahrt losgelassen wird oder wenn der Strom ausfällt.

Fliehkraftbremse

Wenn die Federdruckbremse am Motor der Winde von Hand gelöst wird, sorgt eine Fliehkraftbremse an der Motorwelle der Winde dafür, dass die Last nicht zu schnell abgelassen wird.

Betriebsendschalter/Not-Endschalter

Bei Hebevorgängen muss der Fahrweg mit einem oder mehreren Endschaltern begrenzt sein, so dass die Aufwärtsfahrt und/oder Abwärtsfahrt gestoppt wird.

Der Betreiber oder Anlagenhersteller muss unter Berücksichtigung seiner Risikobeurteilung die Bauform und den Anbringungsort der Endschalter festlegen.

Der Betreiber oder Anlagenhersteller muss einen Betriebsendschalter, ggf. einen Not-Endschalter und einen Boden-Endschalter einbauen und an der Winde anschließen. Die Endschalter müssen zwangsöffnend sein.

Betriebsstundenzähler

Am Betriebsstundenzähler können die Betriebsstunden abgelesen werden, um den Zeitpunkt für die nächste Sicherheitsüberprüfung der Winde festzulegen.

Phasenfolgerelais (Winden ohne Frequenzumrichter)

In Steuerungen für Drehstrombetrieb stoppt das Phasenfolgerelais bei falscher Phasenfolge den Betrieb und verhindert so eine falsche Zuordnung der Richtungstasten AUF/AB, was unter

Umständen die Funktion von Endschaltern und die Hubkraftbegrenzung außer Kraft setzen würde.

4.8 Befestigung



GEFAHR!

Gefahr von schweren Unfällen durch unsachgemäße Befestigung!

Hochfeste verzinkte Bolzen und Schrauben können spröde werden und brechen. Absturzgefahr und Verletzungsgefahr durch herabstürzende Gegenstände!

- Für die Befestigung dürfen keine hochfesten verzinkten Bolzen/Schrauben (10.9 oder 12.9) verwendet werden.
- Verwenden Sie Bolzen/Schrauben mit der angegebenen Festigkeit.

Angaben zur Festigkeit der Bolzen/Schrauben finden Sie in Tabelle 4 auf Seite VII. Beachten Sie die Angaben in 'Bauliche Voraussetzungen' auf Seite 6.

Die Winde kann mit und ohne Adapter (siehe Pos. D in Abb. 2) befestigt werden.

Befestigung ohne Adapter:

- mindestens 2 Schrauben mit selbstsichernden Muttern

Befestigung mit Adapter:

- 2 Schrauben mit selbstsichernden Muttern

Statt der Schrauben können auch Bolzen mit gleicher Festigkeit und einer gleichwertigen Sicherung verwendet werden.

Siehe auch '9.3 Montage' auf Seite 11.

4.9 Belastungsgrenzen



GEFAHR!

Unsachgemäße Befestigung! Unsachgemäße Benutzung!

Verletzungsgefahr durch herabstürzende Gegenstände!

Abhängig von der Anordnung von Hebezeug, Umlenkrolle und Last erhöht sich die Belastung von Umlenkrolle, Anschlagmittel und Aufhängepunkt!

- Die Mindestbruchfestigkeit der Umlenkrollen, der Anschlagmittel und der Aufhängepunkte muss die maximale Betriebslast der Winde in der gegebenen Einbausituation um das 4fache übersteigen (siehe Abb. 20).

Die Nutzlast der Winde kann durch Einscheren des Seils erhöht werden, siehe Abb. 20 (F entspricht der maximalen Betriebslast der Winde). Die maximale Betriebslast darf durch das Einscheren nicht überschritten werden.

Hinweis:

Durch das Einscheren des Seils verringert sich die Hubgeschwindigkeit.

5 Seile

Allgemein



GEFAHR!

DE

Falsches Seil oder Seil mit falschem Durchmesser!

Durch die Verwendung eines falschen Seils besteht Absturzgefahr, Verletzungsgefahr durch herabfallende Gegenstände und die Gefahr von Fehlfunktionen!

- Für den sicheren Betrieb nur ein von der TRACTEL Greifzug GmbH zugelassenes Original-Seil mit korrektem Seildurchmesser und der vorgeschriebenen Bauart verwenden.
- Wenn die Last bauseitig nicht geführt werden kann, muss ein drehungsarmes Seil mit Wirbelhaken oder Seilwirbel verwendet werden.
- Den erforderlichen Seildurchmesser können Sie Tabelle 1 auf Seite II entnehmen. Die Bauart können Sie Tabelle 7 auf Seite 20 entnehmen.

Das Seil gehört zum Lieferumfang.

Alternative Konfektionierungsarten der Seile:

- Spitze/Kausche
- Spitze/Sicherheitshaken

6 Optionales Zubehör

Ergänzend kann folgendes Zubehör erworben werden:

- Umlenkrolle
- Adapter, Ösenhaken oder Aufhängeglied

Bitte wenden Sie sich hierfür direkt an die TRACTEL Greifzug GmbH.

7 Optionen

Bitte wenden Sie sich hierfür direkt an die TRACTEL Greifzug GmbH.

8 Notwendiges Zubehör

Um das Produkt verwenden zu können, benötigen Sie folgendes Zubehör, das nicht im Lieferumfang enthalten ist:

- Anschlagmittel und Befestigungsmittel mit einer ausreichenden Mindestbruchfestigkeit (siehe 'Bauliche Voraussetzungen' auf Seite 6).
- Wenn das Seil umgelenkt oder eingesichert wird: Umlenkrollen und Anschlagmittel mit einer ausreichenden Mindestbruchfestigkeit (siehe 3.3 Gerätebeschreibung, Bauliche Voraussetzungen auf Seite 6).
- Bei Bedarf kann ein längeres Anschlusskabel eingesetzt werden, siehe 'Elektrischer Anschluss' auf Seite 12.

Weiteres Original-Greifzug-Zubehör: siehe '6 Optionales Zubehör' auf Seite 10.

Der Betreiber oder der Anlagenhersteller ist dafür verantwortlich, das Zubehör gemäß den örtlichen Gegebenheiten auszuwählen und zu verwenden. Weitere Vorgaben in den jeweils gültigen Regelwerken und Normen müssen beachtet werden.

9 Installation und Inbetriebnahme

9.1 Richtlinien und Normen

Das Produkt entspricht den folgenden Richtlinien und Normen:

- Maschinenrichtlinie 2006/42/EG
- EN ISO 12100:2010
- EN ISO 13849
- EN 60204
- Maschinen zum Heben von Lasten (Materialtransport): EN 14492-1:2006 + A1:2009
- Die Richtlinie 2006/95/EG wurde gemäß Anh. I Nr. 1.5 der Richtlinie 2006/42/EG hinsichtlich ihrer Schutzziele eingehalten.

Der Betreiber oder der Anlagenhersteller ist dafür verantwortlich, dass die Maschine in den in dieser Anleitung angegebenen Grenzen verwendet wird. Die oben genannten Richtlinien und Normen müssen auch vom Betreiber oder Anlagenhersteller für die Maschine beachtet werden, in die diese Maschine eingebaut wird.

9.2 Prüfungen vor Beginn der Montage

Prüfen der Anschlagmittel, Umlenkrollen und Aufhängepunkte

- Kontrollieren, ob die Umlenkrolle, die Anschlagmittel und der bauseitige Aufhängepunkt die erforderliche Mindestbruchfestigkeit besitzen, siehe 'Bauliche Voraussetzungen' auf Seite 6.

Prüfen des Einbauortes

Allgemein

- Kontrollieren, ob eine fachgerechte Montage durch andere Bauteile behindert wird.
Im Einbauraum dürfen keine spitzen oder scharfkantigen Bauteile vorhanden sein.
- Kontrollieren, dass durch die Befestigung keine Typenschilder (siehe Abb. 11) verdeckt werden.
Ggf. Aussparungen in der Befestigung vorsehen.
- Kontrollieren, ob eine geeignete Anschlussmöglichkeit für die Stromversorgung gemäß Kapitel 'Elektrischer Anschluss' auf Seite 12 vor Ort zur Verfügung steht.

Winde

- Den erforderlichen Einbauraum gemäß Abb. 2 und Tabelle 1 auf Seite II beachten.
- Kontrollieren, dass das Seil in Zugrichtung senkrecht in die Winde einläuft (Abb. 2).

Prüfen der Komponenten und des Zubehörs

Allgemein

- Komponenten und Zubehör auf Vollständigkeit kontrollieren (siehe '3.2 Lieferumfang' auf Seite 5 und '4.2 Komponenten/Baugruppen' auf Seite 7).
- Auf Schäden kontrollieren.
- Alle Verschraubungen auf festen Sitz prüfen.
- Beschädigte Teile austauschen bzw. fachkundig reparieren lassen. Reparaturen dürfen nur durch eine Fachwerkstatt oder durch die TRACTEL Greifzug GmbH durchgeführt werden.

Seil

- Kontrollieren, ob der Durchmesser und die Bauart des Seils zum Produkt und zum Anwendungsfall passen, siehe Tabelle 1 auf Seite II, Tabelle 7 auf Seite 20 und 'Typenschilder und Hinweisschilder/Grenzen der Anwendung' auf Seite 7.
- Wenn die Last bauseitig nicht geführt werden kann, muss ein drehungsarmes Seil mit Wirbelhaken oder Seilwirbel verwendet werden.
- Kontrollieren, ob die Länge des Seils ausreichend ist:
Die Last muss sicher bis zur Anfangs- und Endposition verfahrbar sein.
Die Seillänge muss so gewählt werden, dass die Seilendverbindung bzw. der Lastaufnahmepunkt oder das Seilende nicht bis zum Produkt oder den Zubehörteilen gelangen bzw. eingezogen werden.
- Seil auf der gesamten Länge auf erkennbare Schäden prüfen, siehe Abb. 13.
- Seilspitze entsprechend Abb. 8 prüfen (siehe auch '15.4 Pflege und Wartung, Seil' auf Seite 20).
- Regelmäßig reinigen.

- Prüfen, ob Kausche (1) und Pressmanschette (2) unbeschädigt sind (siehe Abb. 10).
- Seile mit Haken:
Kontrollieren, dass Haken und Sicherungsklappe (3) intakt sind, siehe Abb. 10.
- Seile mit Sicherheitshaken:
Kontrollieren, dass der Sicherheitshaken (4) korrekt schließt und die Arretierung funktioniert, siehe Abb. 10.

Befestigungsmittel

- Kontrollieren, ob die Bolzen/Schrauben/Anschlagmittel den Vorgaben in '4.8 Befestigung' auf Seite 9 entsprechen.
- Laschen, Lastbolzen und Schraubverbindungen auf Schäden kontrollieren.

Anschlusskabel

- Kontrollieren, ob die Länge ausreichend ist.
- Kontrollieren, ob der Kabelquerschnitt für die geplante Länge (siehe Tabelle 5 und 6 auf Seite 13) ausreichend ist.
- Kabel auf der gesamten Länge auf erkennbare Schäden prüfen.

Steuerkabel

- Kontrollieren, ob die Länge ausreichend ist.
- Kabel auf der gesamten Länge auf erkennbare Schäden prüfen.

9.3 Montage

Voraussetzungen

- Die Montage darf nur durch geschultes Personal erfolgen.
- Der Arbeitsplatz muss ausreichend beleuchtet sein.

Winde befestigen



GEFAHR!

Unsachgemäße Befestigung!

Verletzungsgefahr durch herabstürzende Gegenstände!

- Die Winde nur an den angegebenen Verankerungsbohrungen mit den angegebenen Befestigungsmitteln befestigen.
- Das Seil muss senkrecht in die Winde einlaufen (siehe Abb. 2).
- Wenn eine höhere Nutzlast benötigt wird: Angaben in '4.9 Belastungsgrenzen' auf Seite 9 beachten.



GEFAHR!

Gefahr von schweren Unfällen durch unsachgemäße Befestigung!

Hochfeste verzinkte Bolzen und Schrauben können spröde werden und brechen. Absturzgefahr und Verletzungsgefahr durch herabstürzende Gegenstände!

- Für die Befestigung dürfen keine hochfesten verzinkten Bolzen/Schrauben (10.9 oder 12.9) verwendet werden.
- Verwenden Sie Bolzen/Schrauben mit der angegebenen Festigkeit.

Falsch eingesetzte Klappsplinte!

Verletzungsgefahr durch herabstürzende Gegenstände!

- Klappsplinte gemäß Abb. 6 einsetzen.

ACHTUNG!

Falsche Einbaulage!

Schäden am Gerät möglich!

Getriebschäden durch fehlende oder nicht ausreichende Schmierung!

- Die Winde darf nicht auf der flachen Seite liegend eingebaut werden.
- Die Winde so befestigen, dass die flache Seite zur Seite oder nach oben zeigt, siehe Abb. 2.

- Schrauben mit selbstsichernden Muttern gegen Verlust sichern.
- Bolzen mit einem Klappsplint oder vergleichbarer Sicherung sichern.

X-Typenreihe

Siehe Abb. 2 und Tabelle 4 auf Seite VII.

ACHTUNG!

Falsche Befestigung!

Schäden am Gerät möglich!

Das Gerät kann durch Befestigung in den falschen Verankerungsbohrungen beschädigt werden!

- Die Winde nur an den angegebenen Verankerungsbohrungen mit den angegebenen Befestigungsmitteln befestigen.
- Die Befestigung an diagonal gegenüberliegenden Verankerungsbohrungen ist verboten.
- Die Befestigung an den Verankerungsbohrungen A3 + A4 gemäß Abb. 2 ist verboten.

Befestigung an den Verankerungspunkten A:

- Winde mit Schrauben oder Bolzen an mindestens zwei Verankerungspunkten befestigen.
A1 + A2 oder A2 + A3 oder A1 + A4.

Befestigung am Verankerungspunkt B:

- Winde mit Schrauben oder Bolzen befestigen.

T-Typenreihe

Siehe Abb. 3 und Tabelle 4 auf Seite VII.

ACHTUNG!

Falsche Befestigung!

Schäden am Gerät möglich!

Das Gerät kann durch Befestigung in den falschen Verankerungsbohrungen beschädigt werden!

- Die Winde nur an den angegebenen Verankerungsbohrungen mit den angegebenen Befestigungsmitteln befestigen.
- Soll die Last aus Richtung A2 gezogen werden, Verankerungspunkt A1 verwenden.
- Soll die Last aus Richtung A4 gezogen werden, Verankerungspunkt A3 verwenden.
- Soll die Last in beide Richtungen gezogen werden, Verankerungspunkte A1 + A3 verwenden.

Beschädigung der Befestigungslaschen möglich!

- Selbstsichernde Mutter (1) nur so weit anziehen, bis sie bündig an der Lasche (2) anliegt.

- Winde mit Schraube oder Bolzen an Verankerungspunkt A1 oder A3 oder A1 + A3 befestigen.

Elektrischer Anschluss



GEFAHR!

Gefahr durch elektrischen Strom! Gefahr von schweren Unfällen!

Alle Arbeiten und elektrischen Anschlüsse müssen den nationalen Bestimmungen des jeweiligen Landes entsprechen.

- Der elektrische Anschluss darf nur durch Elektrofachkräfte vorgenommen werden.

Gefahr durch unbefugte Benutzung!

Der elektrische Anschluss muss betreiberseitig so ausgeführt sein, dass die Winde gegen unbefugte Benutzung gesichert werden kann! Geeignete Schutzmaßnahmen können sein:

- abschließbare Not-Aus-Einrichtung
- abschließbarer Hauptschalter
- Schlüsselschalter
- abnehmbare Bedieneinrichtung

Gefahr von schweren Unfällen! Gefahr durch elektrischen Strom!

Um elektrische Gefährdungen zu vermeiden, muss der elektrische Anschluss den Vorgaben dieser Anleitung entsprechen.

Der elektrische Anschluss muss betreiberseitig gemäß EN 60204-32 ausgeführt werden.

Die Erdung erfolgt über das Zuleitungskabel. Die Funktion der Erdung muss geprüft sein (Isolationsschutzprüfung). Ggf. sind zusätzliche Maßnahmen notwendig.

Bei Bedarf kann ein Generator mit der 3fachen abgegebenen Nennleistung der Winde verwendet werden (Nennleistung des Generators [kVA] = Anzahl Winden x Nennleistung der Winden)

[kW] x 3). Der Generator muss durch den Betreiber geerdet werden. Die Funktion der Erdung muss geprüft sein (Isolationsschutzprüfung).

Der bereitgestellte Anschluss muss mit einem 30 mA-Fehlerstrom-Schutzschalter (FI bzw. RCD) und einem Überstromschutz (Sicherungsautomaten mit K-Charakteristik) gemäß Stromlaufplan und Bestellspezifikation versehen sein. Der Anlaufstrom entspricht dem 3fachen Nennstrom der Winde.

- Drehstrom: 400 V (3P + N + PE), 50 Hz
- Wechselstrom: 230 V (P + N + PE), 50 Hz

Je länger das Zuleitungskabel ist, desto größer muss der Kabelquerschnitt sein.

- Hängende Kabel mit einem Kabelstrumpf (1) befestigen, siehe Abb. 7.
- Verwenden Sie schwere Gummileitungen mit Tragorgan.

Ermittlung des erforderlichen Kabelquerschnitts:

Die folgenden Tabellen gelten für Winden mit 50 Hz. Bei 60 Hz müssen je nach Leistung größere Kabelquerschnitte verwendet werden.

- Kennbuchstabe (z. B. 'C') aus Tabelle 5 ermitteln. Bei Winden mit zwei Geschwindigkeitsstufen ist die maximale Seilgeschwindigkeit maßgeblich.
- In Tabelle 6 den erforderlichen Kabelquerschnitt zum Kennbuchstaben ermitteln.

Typenreihe	max. Seilgeschwindigkeit	eine Winde			zwei Winden		
		Drehstrom	230 V	Wechselstrom	Drehstrom	230 V	Wechselstrom
	m/min	400 V	230 V	230 V	400 V	230 V	230 V
X 300	9	A	B	C	A	D	E
	18	A	C	-	B	E	-
X 400 X 500	9	A	C	E	B	E	F
	18	B	E	-	D	G	-
X 800 T 1000 T 1020 X 1020	9	B	E	-	D	F	-
	18	C	F	-	E	G	-
X 1230 X 1530	9	B	E	-	D	-	-
	18	C	F	-	F	-	-
X 3050	6	D	F	-	F	G	-
	12	E	F	-	F	G	-

Tabelle 5

Kennbuchstabe	Kabelquerschnitt [mm²] für Kabellängen bis...			
	20 m	50 m	100 m	200 m
A	1,5	1,5	1,5	1,5
B	1,5	1,5	1,5	2,5
C	1,5	1,5	2,5	4
D	1,5	2,5	4	6
E	1,5	2,5	4	6
F	1,5	4	10	16
G	2,5	6	10	16

Tabelle 6



Seil montieren

GEFAHR!

Gefahr von schweren Unfällen durch unsachgemäße Befestigung oder Schäden am Seil!

Tod oder schwere Verletzungen möglich.

- Das Seil muss frei hängen.
- Das Seil darf nicht über eine Kante geführt werden.

Verletzungsgefahr durch Stiche und Schnitte!

Durch Drahtbrüche im Drahtseil können Drähte abstehen! Abstehende Drähte können durch Schutzhandschuhe schneiden oder stechen!

- Geeignete schwere Lederschutzhandschuhe bei Arbeiten am Drahtseil tragen.
- Drahtseil nicht durch die Hände gleiten lassen.

Quetsch- und Einzugsgefahr!

Beim Einfädeln des Seils besteht die Gefahr, dass Finger oder die ganze Hand mit dem Seil eingezogen werden oder an Seilrollen und Seilführungen gequetscht werden!

- Während die Winde in Betrieb ist, Seil nicht berühren. Nicht an den Ein- oder Auslauf der Winde greifen.
- Geeigneten Abstand zum Seil einhalten.
- Auf Seilschlingen achten.

ACHTUNG!

Falsche Montage!

Schäden an der Winde möglich (X-Typenreihen)!

- Die lastlose Seite der Winde mit maximal 100 kg belasten (z. B. durch die Vorspannung des Seils).

Schäden an der Winde möglich (T-Typenreihen)!

- Beim Ziehen darf die Vorspannung des Seils nicht mehr als 400 kg betragen (siehe Abb. 20 g/h).

Hinweis:

Wenn sich der Befestigungspunkt für das Seil über der Winde befindet, muss das Seil befestigt werden, bevor es in die Winde eingeführt wird.

Tragseil

- Das Seil lagegerecht abrollen, damit keine Seilschlingen entstehen.
- Seilspitze möglichst weit in die Winde einführen. (X-Typenreihe: Pfeilrichtung auf dem Gehäuse beachten.)
- Die Winde in Zugrichtung einschalten.
- Das Seil nachschieben, bis es selbständig einfädelt und an der gegenüberliegenden Öffnung wieder austritt.
- Sorgen Sie für freien Seilauflauf, damit sich das lose Ende entdrallen kann.
- Führen Sie das lose Seilende bei Bedarf über eine Seilrolle oder eine andere geeignete Seilführung, damit es nicht über Kanten läuft und beschädigt wird, siehe Abb. 12.
- Loses Seilende fachgerecht ablegen, damit es keine Schlaufen oder Knoten bilden kann.

Anschlagscheibe für die obere Fahrwegbegrenzung montieren

Als obere Fahrwegbegrenzung muss eine Anschlagscheibe für den Not-Endschalter und den optionalen Betriebsendschalter montiert werden.

Siehe Abb. 14.

Pos.	Bezeichnung
1	Seilbefestigung
2	Anschlagscheibe
3	Endschalter (Abbildung ähnlich)
4	Tragseil

Der Abstand zwischen Endschalter und Seilbefestigung oder hervorstehenden Bauteilen muss so gewählt werden, dass die Maschine zuverlässig und rechtzeitig abschaltet. Wir empfehlen einen Mindestabstand (Maß a) von ca. 0,5 bis 1,5 m.

- Die Anschlagscheibe (2) unterhalb der Seilbefestigung (1) am Tragseil (4) befestigen.

Nach der Montage

- Betriebsbereitschaft prüfen und Funktionstest durchführen, siehe '9.4 Inbetriebnahme' auf Seite 14.

9.4 Inbetriebnahme

ACHTUNG!

Falsche Befestigung der Last an Seilen ohne Kausche oder Haken!


Schäden am Gerät möglich!
Die Last darf nicht direkt am Zugseil angeschlagen werden.

- Verwenden Sie eine Keilklemme und ein Anschlagseil, um die Last zu befestigen.

Betriebsbereitschaft feststellen

- Befestigung des Seils kontrollieren.
- Befestigung der Winde, Umlenkrollen und Last kontrollieren.
- Kontrollieren, ob das Seil senkrecht in die Winde einläuft.
- Stopfen am Motor (siehe Abb. 16, Position 3) auf ordnungsgemäßen Sitz prüfen.
- Ergebnis der Prüfungen schriftlich im Logbuch festhalten.

Funktionstest

 **GEFAHR!**

Verletzungsgefahr durch herabstürzende Gegenstände!

- Nicht unter einer schwebenden Last aufhalten.
- Wenn nötig, Gefahrenbereich absperren.

ACHTUNG!

Falsche Seillänge!

Schäden am Gerät möglich!
Die Seilendverbindung bzw. der Lastaufnahmepunkt oder das Seilende dürfen nicht bis zum Produkt oder den Zubehörteilen gelangen bzw. eingezogen werden!

- Verwenden Sie ein ausreichend langes Seil.
- Wenn nötig: Beobachten Sie das Seil während des Betriebs.

Hinweis (Winden ohne Frequenzumrichter):

Falls die Winde nicht startet, sind ggf. zwei Phasen in der Zuleitung vertauscht. Der eingebaute Phasenverpolschutz blockiert die Steuerung:

- Phasenwender im Stecker um 180° drehen, siehe Abb. 21.

Lastaufnahmemittel belasten

Bei den folgenden Prüfungen muss das Lastaufnahmemittel bzw. die Winde mit der maximalen Betriebslast belastet sein, um die Funktionen der Sicherheitseinrichtungen prüfen zu können.

- Der Betreiber oder Anlagenhersteller muss sicherstellen, dass die Nutzlast für das Überwinden der Haftreibung bei einem manuellen Not-Ablass in jeder Situation ausreicht (z. B. bei eingesichertem Seil) und die maximale Betriebslast nicht überschreitet.
- Lastaufnahmemittel mit der maximalen Betriebslast belasten.

Ggf. weitere Angaben des Betreibers/Anlagenherstellers beachten.

Bremse prüfen

- Die Winde in Zugrichtung so lange einschalten, bis das Seil gespannt ist (Winden mit zwei Geschwindigkeiten in niedriger Geschwindigkeit).
- Die Last ca. 1 m anheben bzw. ziehen.
- Winde anhalten:
Die Bremse muss das Seil festhalten.

Hinweis:

Unruhe/Wippen beim Anhalten kann dazu führen, dass der Summer ‚Überlast‘ ertönt oder die Warnleuchte leuchtet. Es liegt keine Überlast vor, wenn der Summer oder die Warnleuchte abschaltet, sobald das Lastaufnahmemittel wieder ruhig hängt.

- Last ab- bzw. nachlassen.
- Winde anhalten:
Die Bremse muss das Seil festhalten.

Wenn die Bremse das Seil nicht festhält:

- NOT-Halt-Taste drücken.
- Bei Versagen der NOT-Halt-Taste die Stromversorgung der Winde unterbrechen (z. B. den Stecker ziehen).
- Die Winde durch eine Elektrofachkraft oder von autorisiertem Wartungspersonal (siehe '15.1 Autorisiertes Wartungspersonal' auf Seite 18) prüfen und instand setzen lassen.

Not-Halt-Funktion prüfen

- Die Winde in Zugrichtung laufen lassen.
- NOT-Halt-Taste drücken.
Der Strom muss abgeschaltet werden.
Die Bremse muss das Seil festhalten.

Fahrwegbegrenzung prüfen

Obere Endschalter prüfen:

- Den optionalen Betriebsendschalter durch Anfahren auslösen:
Die Aufwärtsfahrt muss gestoppt werden.
Die Bremse muss das Seil festhalten.
Die Abwärtsfahrt muss möglich sein.
- Den Not-Endschalter manuell auslösen:
Der Strom muss abgeschaltet werden.
Die Bremse muss das Seil festhalten.
Auf- und Abwärtsfahrt dürfen nicht möglich sein.

Optional: Unteren Endschalter prüfen:

- Den Endschalter manuell oder durch Anfahren auslösen.
Die Winde muss anhalten.
Die Bremse muss das Seil festhalten.
Die Abwärtsfahrt darf nicht möglich sein.

Ende der Prüfung

- Ergebnis der Prüfungen schriftlich im Logbuch festhalten.

Hubkraftbegrenzung einstellen

Der Betreiber ist verpflichtet, den Hubkraftbegrenzer vor der Inbetriebnahme der Winde einzustellen (siehe '15.5 Einstellarbeiten, Hubkraftbegrenzung einstellen' auf Seite 21).

DE

10 Bedienung/Betrieb

Der Bediener muss vom Betreiber in die Bedienung des Geräts eingewiesen und mit dem Gebrauch betraut sein.

10.1 Prüfungen vor Arbeitsbeginn

- Seil auf anhaftende Verschmutzungen kontrollieren, ggf. reinigen.
- Betriebsbereitschaft prüfen, siehe '9.4 Inbetriebnahme, Betriebsbereitschaft feststellen' auf Seite 14.
- Funktionstest durchführen, siehe '9.4 Inbetriebnahme, Funktionstest' auf Seite 14.
- Ergebnis der Prüfungen schriftlich im Logbuch festhalten.

10.2 Betrieb



GEFAHR!

Verletzungsgefahr durch herabstürzende Gegenstände!

Die Last oder das Lastaufnahmemittel kann sich verhaken und herabfallen!

- Last, Lastaufnahmemittel und Seil ständig beobachten.
- Wenn nötig, mit einem Einweiser arbeiten.
- Handzeichen vor Beginn der Benutzung vereinbaren.
- Wenn kein Sichtkontakt möglich ist, Mobiltelefon oder Funk für die Kommunikation benutzen.
- Nicht unter einer schwebenden Last aufhalten.
- Wenn nötig, Gefahrenbereich absperren.

Verletzungsgefahr durch herabstürzende Gegenstände!

Die Last oder das Lastaufnahmemittel kann sich verhaken und herabfallen!

- Nicht unter einer schwebenden Last aufhalten.
- Wenn nötig, Gefahrenbereich absperren.
- Verhakte oder verklemmte Lasten abfangen und sichern.



GEFAHR!

Quetschgefahr! Einzugsgefahr! Verletzungsgefahr!

Am Seil und der Seilwinde!

- Während die Winde in Betrieb ist, Seil nicht berühren. Nicht an den Ein- oder Auslauf der Winde greifen.

Quetschgefahr! Verletzungsgefahr!

An der drehenden Motorwelle!

- Stopfen am Motor (siehe Abb. 16, Position 3) auf ordnungsgemäßen Sitz prüfen.

Verletzungsgefahr durch herabstürzende Gegenstände!

Überlast kann zur Zerstörung der Winde oder von Sicherheitseinrichtungen führen! Fehlfunktionen können die Folge sein!

- Beim Beladen des Lastaufnahmemittels auf die maximal zulässige Last achten.
- Festsitzende oder verklemmte Lasten nicht durch Ziehen mit der Winde lösen.
- Lasten mit Winden zum Heben und Senken nicht schräg ziehen.
- Übermäßigen Tippbetrieb (z. B. dem Motor kurze Impulse geben) vermeiden.

Verletzungsgefahr durch herabstürzende Gegenstände!

Eindringende Feuchtigkeit kann die Wirkung der Bremse beeinträchtigen!

- Stopfen am Motor (siehe Abb. 16, Position 3) auf ordnungsgemäßen Sitz prüfen.
- Seil und seilberührende Produkte nicht mit einem Hochdruckreiniger reinigen.

Verbrennungsgefahr!

Motoren können während des Betriebs heiß werden!

- Nicht an Motoren fassen.

ACHTUNG!

Falsche Seillänge!

Schäden am Gerät möglich!

Die Seilendverbindung bzw. der Lastaufnahmepunkt oder das Seilende dürfen nicht bis zum Produkt oder den Zubehörteilen gelangen bzw. eingezogen werden!

- Verwenden Sie ein ausreichend langes Seil.
- Wenn nötig: Beobachten Sie das Seil während des Betriebs.

Beladen



GEFAHR!

Verletzungsgefahr durch herabstürzende Gegenstände!

- Lasten gegen Herabfallen sichern.
- Lasten gegen Verdrehen sichern.

- Bauseitigen Hauptschalter einschalten bzw. CEE-Steckverbindung herstellen.

- NOT-Halt-Taste nach rechts drehen, bis sie herauspringt: Die Steuerung ist eingeschaltet.
- Beim Beladen des Lastaufnahmemittels auf die maximal zulässige Last achten.

Hinweis:

Unruhe/Wippen beim Anhalten kann dazu führen, dass der Summer ‚Überlast‘ ertönt oder die Warnleuchte leuchtet. Es liegt keine Überlast vor, wenn der Summer oder die Warnleuchte abschaltet, sobald das Lastaufnahmemittel wieder ruhig hängt.

Winde bedienen

- Die Winde in Zugrichtung so lange einschalten, bis das Seil gespannt ist (Winden mit zwei Geschwindigkeiten in niedriger Geschwindigkeit).
- Die Winde in Zugrichtung einschalten, bis das Lastaufnahmemittel gehoben oder gezogen wird.
- Last ab- bzw. nachlassen.
- Beim Senken oder Nachlassen das lose Seilende beobachten.
- Bei erkennbaren Schäden oder Schlaufen und Knoten im Seil sofort anhalten.
- Anhalten: Bedieneinrichtung loslassen.

Wenn das Seil/die Winde beim Loslassen der Bedieneinrichtung nicht anhält:

- NOT-Halt-Taste drücken.
- Bei Versagen der NOT-Halt-Taste die Stromversorgung der Winde unterbrechen (z. B. den Stecker ziehen).
- Die Winde durch eine Elektrofachkraft oder von autorisiertem Wartungspersonal (siehe '15.1 Autorisiertes Wartungspersonal' auf Seite 18) prüfen und instand setzen lassen.

10.3 Not-Ablass

Im Handbetrieb kann das Lastaufnahmemittel bei Stromausfall abgelassen werden.



GEFAHR!

Verletzungsgefahr durch herabstürzende Gegenstände!

Die Last darf nur im Notfall im Handbetrieb abgelassen werden.

- Nach jedem Not-Ablass die Winde durch die TRACTEL Greifzug GmbH oder eine Hebezeugwerkstatt, die von der TRACTEL Greifzug GmbH autorisiert ist, überprüfen lassen.
- Beschädigte oder verschlissene Teile ersetzen.

Verletzungsgefahr durch herabstürzende Gegenstände!

Die Fliehkraftbremse kann bei Überlast das Gewicht nicht bremsen!

- Bei Überlast die Betriebsbremse (Federdruckbremse) niemals manuell öffnen.

Die Fliehkraftbremse verhindert beim manuellen Ablassen eine zu hohe Sinkgeschwindigkeit.

Siehe Abb. 16.

- Hebel (1) aus der Befestigung nehmen.
- Hebel (1) durch den Motorhaubenschlitz (2) in den Bremsbügel stecken.
- Hebel hochziehen und festhalten.
Die Last senkt sich.
- Zum Bremsen den Hebel loslassen.
- Nach Gebrauch den Hebel wieder befestigen.
- Winde zur Prüfung und Reparatur an den Hersteller oder eine Hebezeugfachwerkstatt geben.

10.4 Abschaltung bei Überlast

Winden mit mechanischer oder elektronischer Hubkraftbegrenzung:

Bei Winden ist die Auslösung der Hubkraftbegrenzung werksseitig auf die maximal zulässige Überlast von 125 % der maximalen Betriebslast eingestellt. Beim Abschalten ertönt ein Warnsignal oder die Warnleuchte leuchtet.

Auch ein Verhaken des Lastaufnahmemittels kann zum Abschalten führen.

Bei Überlast:

- Last verringern, bis keine Überlast mehr besteht.

Bei Verhaken:

- Winde ab- bzw. nachlassen, bis die Last wieder frei hängt.
- Hindernis beseitigen, bevor die Last wieder angehoben wird.

11 Vorhersehbarer Missbrauch

Gewährleistungs- und Haftungsansprüche bei Personen- und Sachschäden sind ausgeschlossen, wenn sie auf eine oder mehrere der folgenden Ursachen zurückzuführen sind:

- nicht bestimmungsgemäße Verwendung des Produkts, der Zubehörteile oder zum Produkt gehörender Tragmittel
- Beförderung von Personen
- Betrieb mit einem verschmutzten Seil
- Betrieb ohne Endschalter (Winden zum Heben)
- Einsatz in explosionsgefährdeten Bereichen oder korrosiver Umgebung
- nicht eingehaltene Wartungsintervalle
- Reinigen mit einem Hochdruckreiniger
- unsachgemäßes Montieren, Inbetriebnehmen, Bedienen, Warten und Instandhalten
- Betrieb mit einem elektrischen Anschluss, der nicht den Vorgaben dieser Anleitung entspricht

- mangelhafte Überwachung von Teilen des Geräts und Zubehör, die einem Verschleiß unterliegen
- unsachgemäß und unbefugt durchgeführte Reparaturen
- die Verwendung von Nicht-Original-Ersatzteilen
- Veränderung an Einstellungen von Sicherheitseinrichtungen
- unterlassene Messungen und Prüfungen zur Früherkennung von Schäden
- Überlasten des Produkts
- direktes Anschlagen der Last am Zug- oder Tragseil (Seile ohne Kausche oder Haken)
- Katastrophenfälle durch Fremdkörpereinwirkung und höhere Gewalt
- Für Schäden aufgrund von Umbauten und Änderungen an Produkten sowie aufgrund der Verwendung von Nicht-Originalteilen, die nicht vom Hersteller schriftlich genehmigt wurden, übernimmt dieser keine Haftung.
- Fehlerhafte oder beschädigte Produkte, Zubehörteile und Anschlagmittel dürfen nicht eingesetzt werden.
- X-Typenreihe:
Belasten der lastlosen Seite der Winde mit mehr als 100 kg (z. B. durch die Vorspannung des Seils)
- T-Typenreihe:
Belasten der lastlosen Seite der Winde mit mehr als 400 kg (z. B. durch die Vorspannung des Seils)

DE

12 Demontage



GEFAHR!

Verletzungsgefahr durch Stiche und Schnitte!

Durch Drahtbrüche im Drahtseil können Drähte abstehen! Abstehende Drähte können durch Schutzhandschuhe schneiden oder stechen!

- Geeignete schwere Lederschutzhandschuhe bei Arbeiten am Drahtseil tragen.
- Drahtseil nicht durch die Hände gleiten lassen.

- Lastaufnahmemittel absetzen und ggf. abnehmen.
- X-Typenreihe:
Taste AB drücken und das Seil nach oben aus der Winde ziehen.
- T-Typenreihe:
Taste AB bzw. AUF drücken und das Seil aus der Winde ziehen.



GEFAHR!

Lebensgefahr durch Stromschlag!

- Schalten Sie die Winde spannungsfrei, indem Sie den Stecker ziehen.
- Stecker ziehen.

- Seile während des Ablassens lagegerecht (1) oder auf Haspeln aufwickeln, damit keine Seilschlingen (2) entstehen, die die Seile unbrauchbar machen, siehe Abb. 5.
- Befestigung der Winde lösen.
- Umlenkrollen und Lastaufnahmepunkte demontieren.

13 Außer Betrieb setzen

13.1 Arbeitsunterbrechung

Während einer Pause muss der Arbeitsplatz wie folgt gesichert werden:

DE

- Lastaufnahmemittel absetzen oder den Bereich unter der schwebenden Last sperren.
- Stromzuführung unterbrechen und gegen unbefugte Benutzung sichern.

13.2 Vorübergehend stillsetzen

Wenn die Winde vorübergehend für mehrere Tage oder Wochen nicht benötigt wird, aber an Ort und Stelle montiert bleibt, muss die Winde wie folgt gesichert werden:

- Lastaufnahmemittel absetzen oder den Bereich unter der schwebenden Last sperren.
- Ggf. Lastaufnahmemittel gegen Pendelbewegungen sichern (z. B. am Bauwerk festbinden).
- Seil ohne Last außer Reichweite von Personen hochziehen.
- Stromzuführung unterbrechen und gegen unbefugte Benutzung sichern.

13.3 Dauerhaft außer Betrieb setzen

- Produkt und Zubehör demontieren, siehe '12 Demontage' auf Seite 17.
- Produkt außen säubern und einlagern.

14 Transport und Lagerung

14.1 Transport

Allgemeine Transporthinweise

Beim Transportieren Beschädigungen vermeiden.

Bei schweren Bauteilen geeignete Transporthilfsmittel verwenden oder Transport mit einer zweiten Person durchführen.

Winde

- Vor Ort kann die Winde am Tragegriff transportiert werden, siehe Abb. 1. Ggf. Transport mit einer zweiten Person durchführen.

- Schwere Winden können mit geeigneten Transporthilfsmitteln an Ringschrauben oder Ringmuttern transportiert werden.
- Zum Transport mit einem Fahrzeug die Transportbox verwenden. Die Winde oder die Transportbox mit Spanngurten sichern.

Seile

- Die Seile vor direkter Sonnenstrahlung, Chemikalien, Verschmutzungen und mechanischer Beschädigung schützen.
- Seile möglichst auf der Haspel transportieren.
- Aufgerollte Seile ohne Haspel mit einem Hebeband anheben und transportieren.
- Belastung durch das Eigengewicht möglichst gering halten.

14.2 Lagerung

Allgemeine Lagerbedingungen:

- trocken (maximal 75% relative Luftfeuchtigkeit)
- staubfrei
- gleichmässige Umgebungstemperatur

Lagerbedingungen für Seile:

- leicht gefettet
- Kontakt mit Chemikalien vermeiden (z. B. Batteriesäure)
- ohne mechanische Quetsch-, Druck- oder Zugbelastung

15 Instandhaltung

15.1 Autorisiertes Wartungspersonal



GEFAHR!

Absturzgefahr! Verletzungsgefahr durch herabstürzende Gegenstände!

Lebensgefahr durch fehlerhaft durchgeführte Instandsetzungs- und Wartungsarbeiten!

Instandsetzungs- und Wartungsarbeiten, die ein Öffnen des Produktes erfordern, dürfen nur von folgenden autorisierten Stellen durchgeführt werden:

- der TRACTEL Greifzug GmbH
- Hebezeugwerkstätten, die von der TRACTEL Greifzug GmbH autorisiert sind
- Wartungspersonal, das von der TRACTEL Greifzug GmbH geschult und zertifiziert ist

15.2 Erforderliche Prüfungen

Für die jährliche Sicherheitsüberprüfung und außerordentliche Prüfungen ist ein schriftlicher Prüfnachweis erforderlich. Die Prüfungen müssen im mitgelieferten Logbuch eingetragen werden.

Vor jedem Gebrauch

Der ordnungsgemäße Zustand muss vor jedem Gebrauch geprüft werden, siehe '9.4 Inbetriebnahme' auf Seite 14.

Jährliche Sicherheitsüberprüfung

Die Sicherheitsüberprüfung muss jährlich durchgeführt werden.

Die Sicherheitsüberprüfung darf nur von autorisiertem Wartungspersonal durchgeführt werden, siehe '15.1 Autorisiertes Wartungspersonal' auf Seite 18. Abhängig von den Einsatzbedingungen (z. B. Betrieb in stark verschmutzter Umgebung) kann eine Zwischenprüfung notwendig sein.

Bei Verwendung eines drehungsarmen Seils:

Abhängig von den Einsatz- und Umweltbedingungen (angehängte Last, Schmutz am Seil, etc.) kann die Treibscheibe der Winde vorzeitig verschleifen. Die Treibscheibe muss bei Verschleiß ausgetauscht werden.

Wir empfehlen eine werkseitige Überprüfung durch die TRACTEL Greifzug GmbH.

Generalüberholung

Die Fristen für eine Generalüberholung sind spätestens (je nachdem, was zuerst eintritt):

- 250 Betriebsstunden bei Geräten mit 12 oder 18 m/min Seilgeschwindigkeit,
- 500 Betriebsstunden bei Geräten mit 6 oder 9 m/min Seilgeschwindigkeit.
- 10 Jahre nach Herstellung

Wenn eine Generalüberholung durchgeführt wurde, beginnt die Frist von neuem.

Die Winde muss durch die TRACTEL Greifzug GmbH oder eine Hebezeugwerkstatt, die von der TRACTEL Greifzug GmbH autorisiert ist, generalüberholt werden.

Wenden Sie sich direkt an die TRACTEL Greifzug GmbH oder Ihren Lieferanten.

Außerordentliche Prüfung

Nach jedem Not-Ablass im Handbetrieb muss die Winde durch die TRACTEL Greifzug GmbH oder eine Hebezeugwerkstatt, die von der TRACTEL Greifzug GmbH autorisiert ist, überprüft werden (siehe '10.3 Not-Ablass' auf Seite 16).

Beschädigte oder verschlissene Teile müssen ersetzt werden.

15.3 Ablesen des Betriebsstundenzählers

Der Betriebsstundenzähler befindet sich im Klemmkasten der Winde. Der Betriebsstundenzähler zählt die Zeiten als Betriebsstunden, in denen die Winde in Betrieb ist (AUF- oder AB-Bewegung).



Lebensgefahr durch Stromschlag!

- Schalten Sie die Winde spannungsfrei, indem Sie den Stecker ziehen.
- Stecker ziehen.
- Klemmkasten öffnen.
- Betriebsstundenzähler ablesen.
- Betriebsstunden im Logbuch notieren.
- Klemmkasten schließen.

DE

15.4 Pflege und Wartung

Intervall	Arbeit	Ausführung
täglich	<ul style="list-style-type: none"> – Befestigung der Winde prüfen – Seil auf anhaftende Verschmutzung prüfen 	Bediener
wöchentlich	<ul style="list-style-type: none"> – Seil prüfen, siehe Seite 20 – Anschlusskabel und Steuerkabel prüfen 	Bediener
alle 50 Betriebsstunden	<ul style="list-style-type: none"> – Treibscheiben-Außenverzahnung schmieren (nur Typenreihe X 3050), siehe Seite 20 	Bediener
1 x jährlich	<ul style="list-style-type: none"> – Sicherheitsüberprüfung der Winde 	autorisiertes Wartungspersonal
250 ¹⁾ / 500 ²⁾ Betriebsstunden / nach 10 Jahren ³⁾	<ul style="list-style-type: none"> – Generalüberholung der Winde 	TRACTEL Greifzug GmbH oder eine Hebezeugwerkstatt, die von der TRACTEL Greifzug GmbH autorisiert ist
Wenn nötig	siehe Seite 20: <ul style="list-style-type: none"> – Seil reinigen – Seil schmieren – Seil ersetzen 	Vom Betreiber benannte und unterwiesene Person
	<ul style="list-style-type: none"> – Kabel ersetzen 	Elektrofachkraft

¹⁾ Geräte mit 12 oder 18 m/min Seilgeschwindigkeit

²⁾ Geräte mit 6 oder 9 m/min Seilgeschwindigkeit

³⁾ je nachdem, was zuerst eintritt

Seil



GEFAHR!

Verletzungsgefahr durch Stiche und Schnitte!

Durch Drahtbrüche im Drahtseil können Drähte abstehen! Abstehende Drähte können durch Schutzhandschuhe schneiden oder stechen!

- Geeignete schwere Lederschutzhandschuhe bei Arbeiten am Drahtseil tragen.
- Drahtseil nicht durch die Hände gleiten lassen.

Reinigen

Verschmutzte Seile wenn nötig trocken abbürsten. Ggf. neu schmieren.

In stark verschmutzter Umgebung Bürstenvorsätze für die Seilreinigung an der Winde verwenden.

Schmieren



GEFAHR!

Absturzgefahr und Gefahr durch herabfallende Gegenstände durch rutschige oder beschädigte Seile oder Versagen der Bremse und Fehlfunktionen!

Tod oder schwere Verletzungen möglich!

- Seile nicht mit Disulfid-haltigen Schmierstoffen (z. B. Molycote®) schmieren.
- Verwenden Sie Mehrzweckfett oder -öl.
- Das Reinigen des Seils oder von seilberührenden Produkten mit einem Hochdruckreiniger ist verboten! Eindringende Feuchtigkeit führt zu Fehlfunktionen und Schäden an Motor, Bremse und der elektrischen Ausrüstung.
- Schmutz am Seil führt zum vorzeitigen Verschleiß oder zur Zerstörung von Seil, Anschlagmittel und Winde.

Austauschen

Die Seile sofort austauschen, wenn die Ablegereife gemäß Tabelle 7 erreicht ist (nach ISO 4309 und DIN 15020, Blatt 2), oder typische Seilfehler vorliegen, siehe Abb. 13. Ermittlung des Seildurchmessers: siehe Abb. 9.

Nenn Durchmesser des Seils	Konstruktion des Seils			Minimal zulässiger Durchmesser des Seils
	Drehungsarm	5 x 19	5 x 26	
[mm]	Anzahl sichtbarer Drahtbrüche in den Außenlitzen auf einer Länge von 30 x Nenn Durchmesser des Seils.			[mm]
6		8		5,9
8	10	8	11	7,5
9	10	8		8,5

Nenn Durchmesser des Seils	Konstruktion des Seils			Minimal zulässiger Durchmesser des Seils
	Drehungsarm	5 x 19	5 x 26	
10	8		11	9,3
14	10		11	13,1

Tabelle 7

Durchführung: Siehe '12 Demontage' auf Seite 17 und '9.3 Montage' auf Seite 11.

Seilspitze erneuern

Das Seil an die TRACTEL Greifzug GmbH oder eine von der TRACTEL Greifzug GmbH autorisierte Hebezeugwerkstatt schicken und die Seilspitze erneuern lassen.

Zuleitungs- und Steuerkabel

Bei Beschädigungen an der Isolierung bzw. an den Kabelverbindungen müssen die Kabel durch eine Elektrofachkraft ausgetauscht werden.

Winde



GEFAHR!

Absturzgefahr und Gefahr durch herabfallende Gegenstände durch rutschige oder beschädigte Seile oder Versagen der Bremse und Fehlfunktionen!

Tod oder schwere Verletzungen möglich!

- Das Reinigen des Seils oder seilberührenden Produkten mit einem Hochdruckreiniger ist verboten! Eindringende Feuchtigkeit führt zu Fehlfunktionen und Schäden an Motor, Bremse und der elektrischen Ausrüstung.
- Schmutz am Seil führt zum vorzeitigen Verschleiß oder zur Zerstörung von Seil, Anschlagmittel und Winde.

Siehe separate Wartungsanleitung für geschultes Wartungspersonal.

Motor, Getriebe und Bremse

Motor, Getriebe und Bremse sind bis zum Erreichen der zulässigen Betriebsstunden (Generalüberholung) wartungsfrei.

- Bei starker Verschmutzung von außen säubern.
- Bremse öl- und fettfrei halten.

Treibscheiben-Außenverzahnung schmieren (Typenreihe X 3050)

Spezifikation des Fetts, siehe '4.4 Betriebsmittel' auf Seite 8.

- Fettpresse an Schmiernippel (1) ansetzen, siehe Abb. 15.
- Schmiernippel mit 3-5 Hüben (ca. 5 cm³) abschmieren.
- Winde für ca. zwei Sekunden in AB- oder AUF-Richtung laufen lassen.
- Schmiernippel mit 3-5 Hüben (ca. 5 cm³) abschmieren.

15.5 Einstellarbeiten

Hubkraftbegrenzung einstellen



GEFAHR!

Verletzungsgefahr durch herabstürzende Gegenstände!

Tod oder schwere Verletzungen möglich!

- Die Einstellung der Hubkraftbegrenzung darf nur von autorisiertem Personal des Anlagenherstellers oder von der TRACTEL Greifzug GmbH durchgeführt werden.
- Beachten Sie die Angaben in dieser Anleitung.
- Beachten Sie bei Sonderausführungen die Angaben in der Bestellspezifikation.

Winden ab 1000 kg maximale Betriebslast sind mit einer mechanischen Hubkraftbegrenzung ausgestattet. Winden bis 1000 kg maximale Betriebslast können optional mit einer elektronischen oder mechanischen Hubkraftbegrenzung ausgestattet werden.

Winden mit mechanischer Hubkraftbegrenzung können standardmäßig nicht auf eine Überlast eingestellt werden, die kleiner ist als 90 % der maximalen Betriebslast der Winde.

Bei Winden ist die Auslösung der Hubkraftbegrenzung werksseitig auf die maximal zulässige Überlast von 125 % der maximalen Betriebslast eingestellt.

Zum Einstellen der Hubkraftbegrenzung wird die maximale Überlast angehoben.

Überlast = maximale Betriebslast + 25 %

Mechanische Hubkraftbegrenzung einstellen

Typenreihen X 300 bis X 1530

Siehe Abb. 17.

- Lastaufnahmemittel mit der berechneten Überlast belasten.
 - Last anheben.
- Die Hubkraftbegrenzung muss ansprechen und die Aufwärtsfahrt innerhalb der ersten 10 cm abschalten.

Falls die Hubkraftbegrenzung nicht anspricht:

- Verschlussstopfen (1) entfernen.
- Messingschraube (2) lösen.
- Innensechskantschlüssel 8 mm, 150 mm lang, in die Einstellschraube (3) stecken.
- Einstellschraube (3) lösen, bis die Hubkraftbegrenzung anspricht.
- Überlast auf dem Boden absetzen.

- Überlast erneut anheben.

Die Hubkraftbegrenzung muss ansprechen. Andernfalls den Vorgang wiederholen.

Wenn das Lastaufnahmemittel mit der maximalen Betriebslast beladen wird, darf die Hubkraftbegrenzung nicht ansprechen.

- Lastaufnahmemittel mit der maximalen Betriebslast belasten.
 - Anheben, bis das Lastaufnahmemittel frei schwebt.
- Die Hubkraftbegrenzung darf beim Anheben nicht ansprechen.

Falls die Hubkraftbegrenzung anspricht:

- Last auf dem Boden absetzen.
 - Innensechskantschlüssel 8 mm, 150 mm lang, in die Einstellschraube (3) stecken.
 - Einstellschraube (3) eine halbe Umdrehung festziehen.
 - Überlast erneut anheben.
- Die Hubkraftbegrenzung darf beim Anheben nicht ansprechen.

Wenn Einstellschraube (3) verstellt wurde, anschließend die Prüfung mit der maximalen Überlast wiederholen.

- Lastaufnahmemittel mit der berechneten Überlast belasten.
 - Last anheben.
- Die Hubkraftbegrenzung muss ansprechen und die Aufwärtsfahrt innerhalb der ersten 10 cm abschalten.
- Messingschraube (2) festziehen.
 - Verschlussstopfen (1) einsetzen und mit rotem Siegelack sichern.

Typenreihe X 3050

Siehe Abb. 18.

- Lastaufnahmemittel mit der berechneten Überlast belasten.
 - Last anheben.
- Die Hubkraftbegrenzung muss ansprechen und die Aufwärtsfahrt innerhalb der ersten 10 cm abschalten.

Falls die Hubkraftbegrenzung nicht anspricht:

- Verschlussstopfen (1) entfernen.
 - Kontermutter (5) mit Steckschlüssel lösen.
 - Innensechskantschlüssel 8 mm, 150 mm lang, in die Einstellschraube (3) stecken.
 - Einstellschraube (3) festziehen, bis die Hubkraftbegrenzung anspricht.
 - Überlast auf dem Boden absetzen.
 - Überlast erneut anheben.
- Die Hubkraftbegrenzung muss ansprechen. Andernfalls den Vorgang wiederholen.

Wenn das Lastaufnahmemittel mit der maximalen Betriebslast beladen wird, darf die Hubkraftbegrenzung nicht ansprechen.

- Lastaufnahmemittel mit der maximalen Betriebslast belasten.

- Anheben, bis das Lastaufnahmemittel frei schwebt.
Die Hubkraftbegrenzung darf beim Anheben nicht ansprechen.

Falls die Hubkraftbegrenzung anspricht:

- Last auf dem Boden absetzen.
- Innensechskantschlüssel 8 mm, 150 mm lang, in die Einstellschraube (3) stecken.
- Einstellschraube (3) eine halbe Umdrehung lösen.
- Überlast erneut anheben.
Die Hubkraftbegrenzung darf beim Anheben nicht ansprechen.

DE

Wenn Einstellschraube (3) verstellt wurde, anschließend die Prüfung mit der maximalen Überlast wiederholen.

- Lastaufnahmemittel mit der berechneten Überlast belasten.
- Last anheben.
Die Hubkraftbegrenzung muss ansprechen und die Aufwärtsfahrt innerhalb der ersten 10 cm abschalten.
- Kontermutter (5) mit Steckschlüssel anziehen.
- Verschlussstopfen (1) einsetzen und mit rotem Siegelack sichern.

Elektronische Hubkraftbegrenzung einstellen (optional)



GEFAHR!

Lebensgefahr durch Stromschlag!

- Winde vor dem Öffnen des Klemmenkastens durch Ziehen des Steckers spannungsfrei schalten.
- Während der Einstellarbeiten keine spannungsführenden Teile berühren.
- Ggf. spannungsführende Bauteile abdecken.

Verletzungsgefahr durch herabstürzende Gegenstände!

Tod oder schwere Verletzungen möglich!

- Die Einstellung der Hubkraftbegrenzung darf nur von autorisiertem Personal des Anlagenherstellers oder von der TRACTEL Greifzug GmbH durchgeführt werden.
- Beachten Sie die Angaben in dieser Anleitung.

Die elektronische Hubkraftbegrenzung reagiert auf die Stromaufnahme des Motors. Winden mit zwei Geschwindigkeiten sind mit zwei elektronischen Hubkraftbegrenzungen ausgestattet. Die Einstellung muss für beide Hubkraftbegrenzungen und Geschwindigkeiten vorgenommen werden. Die Überlast wird beim Heben erkannt.

Die Einstellung auf einen geringeren Grenzwert, z. B. wegen einer niedrigeren Tragfähigkeit der Anschlagpunkte, darf nur durch autorisiertes Wartungspersonal erfolgen.

Voreinstellung

Siehe Abb. 19.

- Siegelack an den Reglern (1) und (2) entfernen.
- Oberen Regler (1) für den Nennstrom bis zum Anschlag nach rechts drehen.

- Unteren Regler (2) für die Startüberwachung bis zum Anschlag nach rechts drehen.

Überlast einstellen

- Lastaufnahmemittel mit der berechneten Überlast belasten.
- Während des Anhebens der Überlast oberen Regler (1) nach links drehen, bis die Winde anhält.
- Überlast absenken, bis das Seil entlastet ist.
- Überlast erneut anheben:
Die Winde muss anhalten, sobald sie unter Last kommt.

Startüberbrückung einstellen

- Lastaufnahmemittel mit der Nennlast belasten.
- Nennlast vom Boden anheben.
- Unteren Regler (2) bis zum Anschlag nach links drehen.
- AUF-Taste drücken.
Die Winde muss sofort anhalten.

Hinweis:

Nach jedem Anhalten der Winde während dieser Einstellung kurz die AB-Taste drücken, damit die Aufwärtsfahrt wieder freigegeben wird.

- Unteren Regler (2) ein wenig nach rechts drehen.
- AUF-Taste drücken.
- Vorgang wiederholen, bis das Anheben der Nennlast möglich ist.
- Beide Regler mit Siegelack sichern.

15.6 Ersatzteile bestellen

Ersatzteillisten erhalten Sie von Ihrem Lieferanten oder direkt von der TRACTEL Greifzug GmbH.

Notwendige Angaben für die Bestellung finden Sie auf den Typenschildern der einzelnen Komponenten, siehe 'Typenschilder und Hinweisschilder/Grenzen der Anwendung' auf Seite 7.

Notwendige Angaben sind z. B.:

Seiltrieb: Artikel-Nr., tirak™-Typ/Tractel®-Typ, Seildurchmesser, Fabrikations-Nr.

Motor: Artikel-Nr., Motortyp

Bremse: Artikel-Nr., Typ und Spulenspannung der Bremse

Elektrische Steuerung: Nummer des Stromlaufplans

16 Entsorgung und Umweltschutz

Das Gerät wurde aus wiederverwertbaren Materialien hergestellt. Bei einer späteren Verschrottung muss das Gerät einer ordnungsgemäßen Entsorgung zugeführt werden. Innerhalb der Europäischen Union gilt die nationale Umsetzung der Abfallrahmenrichtlinie 2008/98/EG.

Gemäß Richtlinie 2002/96/EG, in Deutschland umgesetzt im Elektro- und Elektronikgerätegesetz (ElektroG), ist der Hersteller verpflichtet, bestimmte elektrische und elektronische Komponenten zurückzunehmen und zu entsorgen. Hiervon betroffene Bauteile sind auf dem Typenschild mit folgendem Symbol gekennzeichnet:



17 Fehlersuche / Störungsbeseitigung



GEFAHR!

Verletzungsgefahr durch herabstürzende Gegenstände!

Das Lastaufnahmemittel kann kippen, wenn es sich verhakt!

- Winde sofort anhalten.
- Ursache ermitteln und Fehler beheben.

DE

Störung	
Ursache	Behebung
Der Motor läuft an, das Seil bewegt sich jedoch nicht.	
Seilstau in der Winde durch schadhafte oder falsches Seil. Seilauslauf behindert.	<ul style="list-style-type: none"> - Last abfangen (z. B. mit Keilklemme oder Hebelzug). - Seil vor und hinter der Winde kappen. - Winde zur Reparatur schicken. - Wenn vorhanden, Ersatzwinde mit neuem Seil installieren.
Die Last hat sich verhakt oder ist festgebunden.	<ul style="list-style-type: none"> - Last vorsichtig befreien bzw. losbinden. - Seil, Anschlagmittel und Lastaufnahmemittel auf Betriebssicherheit prüfen.
Winde ist ohne Funktion.	
Steuerung nicht eingeschaltet.	<ul style="list-style-type: none"> - Steuerung einschalten.
NOT-Halt-Taste gedrückt.	<ul style="list-style-type: none"> - NOT-Halt-Taste entriegeln.
NOT-Endschalter angefahren.	<ul style="list-style-type: none"> - Im Notbetrieb abwärts fahren, bis der Endschalter frei ist.
NOT-Endschalter defekt.	<ul style="list-style-type: none"> - Endschalter durch eine Elektrofachkraft prüfen bzw. austauschen lassen.
Netzversorgung unterbrochen.	<ul style="list-style-type: none"> - Ursache klären und Fehler beheben.
Zuleitung zwischen Netzanschluss und Steuerung unterbrochen.	<ul style="list-style-type: none"> - Alle Kabel und Anschlüsse prüfen und ggf. reparieren.
Stromversorgung falsch angeschlossen bzw. Nullleiter fehlt.	<ul style="list-style-type: none"> - Anschluss durch eine Elektrofachkraft korrigieren lassen. - Ggf. durch den Hersteller umbauen lassen.
Schutzabschaltung nach Überhitzung wegen mangelnder Motorkühlung.	<ul style="list-style-type: none"> - Motorhaube reinigen.
Schutzabschaltung durch Überhitzung wegen zu hoher oder zu niedriger Spannung.	<ul style="list-style-type: none"> - Unter Last die Spannung und die Stromaufnahme am Motor durch eine Elektrofachkraft messen lassen. - Ggf. Leitungsquerschnitte erhöhen.
Es sind zwei Phasen in der Zuleitung vertauscht. Der eingebaute Phasenverpolschutz blockiert die Steuerung.	<ul style="list-style-type: none"> - Phasenwender im Stecker um 180° drehen, siehe Abb. 21.
Die Bremse öffnet nicht (kein Klicken beim An- und Ausschalten), weil Zuleitung, Bremsspule oder Gleichrichter defekt sind.	<ul style="list-style-type: none"> - Zuleitung, Bremsspule oder Gleichrichter durch eine Elektrofachkraft prüfen und reparieren bzw. austauschen lassen.
Die Bremse öffnet nicht (kein Klicken beim An- und Ausschalten), weil der Bremsrotor verschlissen ist.	<ul style="list-style-type: none"> - Winde zur Reparatur an den Hersteller oder eine Hebezeugfachwerkstatt geben.
Angehängte Last sinkt im Stillstand langsam ab.	
Defekte oder verschmutzte Betriebsbremse (Federdruckbremse) an der Winde)	<ul style="list-style-type: none"> - Angehängte Last abstellen. - Winde zur Reparatur an den Hersteller oder eine Hebezeugfachwerkstatt geben.

Störung	
Ursache	Behebung
Die Last wird nicht gehoben/gezogen, obwohl das Seil gesenkt/nachgelassen werden kann.	
Die Last hat sich an einem Hindernis verhakt.	<ul style="list-style-type: none"> – Last vorsichtig abwärts fahren und das Hindernis beseitigen. – Betriebssicherheit von Seil, Anschlagmittel und Lastaufnahmemittel prüfen.
Seil ist ohne Last nach dem Senken bzw. Nachlassen vollständig aus der Winde ausgefahren.	<ul style="list-style-type: none"> – Seil wieder einlaufen lassen. – Ursache klären. – Wiederholung vermeiden, z. B. durch Verwendung eines längeren Seils.
Fehler im AUF-Steuerkreis der Winde.	<ul style="list-style-type: none"> – Anschlüsse, Verdrahtung und Schütze durch eine Elektrofachkraft prüfen und ggf. reparieren lassen.
Endschalter AUF defekt oder angefahren.	<ul style="list-style-type: none"> – Abwärts fahren, bis der Endschalter frei ist. – Endschalter prüfen, ggf. austauschen.
Fehlende Motorleistung durch defekten Anlaufkondensator (Einphasenmotor).	<ul style="list-style-type: none"> – Anlaufkondensator durch eine Elektrofachkraft prüfen lassen und wenn nötig austauschen.
Defekter Fliehkraftschalter (Anlaufkondensator überlastet, Einphasenmotor).	<ul style="list-style-type: none"> – Strom an der Hilfswicklung im Klemmkasten messen. Reparatur nur durch die TRACTEL Greifzug GmbH.
Verschleiß der Treibscheibe	<ul style="list-style-type: none"> – Winde so schnell wie möglich austauschen und durch die TRACTEL Greifzug GmbH oder eine autorisierte Hebezeugwerkstatt prüfen/reparieren lassen.
Motor brummt stark oder Seiltrieb knirscht, obwohl AUF- und AB-Fahrt möglich sind.	
Überhitzung durch mangelnde Motorkühlung.	<ul style="list-style-type: none"> – Motorhaube reinigen.
Überhitzung wegen zu hoher oder zu niedriger Spannung.	<ul style="list-style-type: none"> – Unter Last die Spannung und die Stromaufnahme am Motor durch eine Elektrofachkraft messen lassen. – Ggf. Leitungsquerschnitte erhöhen.
ACHTUNG! Schmutz im Seiltrieb. Seil und Seiltrieb können beschädigt werden.	<ul style="list-style-type: none"> – Winde so schnell wie möglich austauschen und durch die TRACTEL Greifzug GmbH oder eine autorisierte Hebezeugwerkstatt prüfen/reparieren lassen.
Die Last wird nicht gesenkt/nachgelassen, obwohl das Seil gehoben/gezogen werden kann.	
Die Last ist auf ein Hindernis aufgesessen oder hat sich an einem Hindernis verhakt.	<ul style="list-style-type: none"> – Last vorsichtig aufwärts fahren und das Hindernis beseitigen. – Betriebssicherheit von Seil, Anschlagmittel und Lastaufnahmemittel prüfen.
Fehler im AB-Steuerkreis der Winde.	<ul style="list-style-type: none"> – NOT-Ablass durch Lösen der Bremse, siehe '10.3 Not-Ablass' auf Seite 16. – Anschlüsse, Verdrahtung und Schütze durch eine Elektrofachkraft prüfen und ggf. reparieren lassen.

18 EG-Konformitätserklärung (Auszug)



Hiermit erklärt der Hersteller,

TRACTEL Greifzug GmbH
Scheidtbachstraße 19–21 51469 Bergisch Gladbach

repräsentiert durch

Dipl.-Ing. Denis Pradon
Geschäftsführer

KONFORMITÄTSERKLÄRUNG

dass die bezeichnete Ausrüstung den technischen Sicherheitsbestimmungen entspricht, die zum Zeitpunkt des Inverkehrbringens in der EUROPÄISCHEN UNION durch den Hersteller für die Ausrüstung gelten.

ANGEWENDETE NORMEN UND RICHTLINIEN:

2006/42/EC; 2006/95/EC; 2004/108/EC

EN 14492-1; EN ISO 12100-1; EN ISO 12100-2; EN ISO 14121-1; EN ISO 13849-1; EN 60204

BEZEICHNUNG

Seildurchlaufwinde

ANWENDUNG

Materialtransport

TYP

X 300, X 400, X 500, X 800, X 1020, X 1230, X 1530, X 3050, T 1000, T 1020

SERIENNUMMER

Baujahr

ab 01.2010

Dokumentationsverantwortlicher:

Dipl.-Ing. Denis Pradon, Tel.: +49 (0) 2202 1004 0

Bergisch Gladbach, Datum

DE

Sommaire

1 Généralités	2	14 Transport et stockage	18
1.1 Termes et abréviations utilisés	2	14.1 Transport	18
1.2 Symboles utilisés	3	14.2 Stockage	18
2 Sécurité	3	15 Entretien	19
2.1 Consignes de sécurité générales	3	15.1 Personnel de maintenance autorisé	19
2.2 Indications pour l'exploitant	4	15.2 Contrôles nécessaires	19
2.3 Responsabilité du fabricant de l'installation	5	15.3 Lire le compteur d'heures de service	19
3 Vue d'ensemble	5	15.4 Entretien et maintenance	19
3.1 Etat de livraison	5	15.5 Travaux de réglage	21
3.2 Produits fournis	5	15.6 Commandes des pièces de rechange	23
3.3 Description de l'appareil	5	16 Évacuation et protection de l'environnement	23
4 Description	7	17 Recherche de la cause des défauts/Dépannages	24
4.1 Description du fonctionnement	7	18 Déclaration de conformité CE (extrait)	26
4.2 Composants/Modules	8		
4.3 Caractéristiques techniques	8		
4.4 Consommables	8		
4.5 Schéma de circuits	8		
4.6 Boîtier de commande	8		
4.7 Equipements de sécurité	9		
4.8 Fixation	9		
4.9 Limites de charge	10		
5 Câbles	10		
6 Accessoires en option	10		
7 Options	10		
8 Accessoires nécessaires	10		
9 Installation et mise en service	10		
9.1 Directives et normes	10		
9.2 Contrôles avant de commencer le montage	11		
9.3 Montage	11		
9.4 Mise en service	14		
10 Fonctionnement et service	15		
10.1 Contrôles avant de commencer le travail	15		
10.2 Fonctionnement	16		
10.3 Descente de secours	17		
10.4 Coupure en cas de surcharge	17		
11 Abus évident	17		
12 Démontage	18		
13 Mise hors service	18		
13.1 Interruption du travail	18		
13.2 Arrêt provisoire	18		
13.3 Mise hors service durable	18		



DANGER !

Danger de blessure par des objets qui tombent, en cas de dysfonctionnements, d'utilisation ou de manipulation incorrectes !

Si vous ne respectez pas cette notice :

cela peut entraîner des blessures graves et même mortelles, cela peut endommager l'appareil.

- Lire soigneusement la présente notice avant de monter l'appareil et de le mettre en service.
- Veuillez respecter les indications et les règles à suivre nécessaires pour utiliser l'appareil en toute sécurité.

1 Généralités

Propriété intellectuelle

TRACTEL Greifzug GmbH est seul dépositaire des droits de propriété intellectuelle sur la présente notice d'utilisation.

La présente notice est destinée uniquement à l'exploitant des installations qui y sont décrites et au personnel. La présente notice doit être en tout temps à la portée de l'opérateur. Nous tenons d'autres exemplaires à votre disposition.

Aucun extrait de la présente notice ne doit être dupliqué, diffusé ou transmis d'une autre façon sans l'accord de TRACTEL Greifzug GmbH.

Toute infraction est susceptible de donner lieu à des poursuites pénales.

Adresse du fabricant

Point de vente et service :

TRACTEL Greifzug GmbH

Scheidt bachstraße 19-21
51469 Bergisch Gladbach, Allemagne

Postfach 20 04 40
51434 Bergisch Gladbach, Allemagne

Téléphone : +49 (0) 22 02 / 10 04-0
Télécopie : +49 (0) 22 02 / 10 04-50 + 70

TRACTEL Greifzug GmbH se réserve le droit, dans le cadre du perfectionnement des produits, de procéder à des modifications du produit décrit dans cette notice.

Les clients peuvent obtenir par les entreprises du groupe TRACTEL ou par les agents d'entretien agréés du groupe TRACTEL, sur demande, de la documentation sur les autres produits de TRACTEL: Engins de levage et accessoires, plates-formes fixes ou mobiles pour le déplacement à l'intérieur ou à l'extérieur des bâtiments, matériel d'élingage, sécurités antichute pour charges, équipements de protection individuelle contre les chutes, instruments de mesure de force de traction et de tension de câble, etc. Vous pouvez aussi consulter le site Web TRACTEL www.tractel.com.

Le groupe TRACTEL et son réseau de concessionnaires mettront à votre disposition si nécessaire leur service de réparation et leur service après-vente.

1.1 Termes et abréviations utilisés

Dans cette notice, les termes suivants signifient :

Installation / Machine

Conformément à la Directive sur les machines 2006/42/CE, les plates-formes, engins de levage et matériels d'élingage servant pour le levage sont considérés comme des machines (quasi-machines). L'équipement dans lequel la quasi-machine décrite ici est intégrée est considéré installation ou aussi machine.

Fabricant de l'installation

Le fabricant de l'installation (conception, fabrication, montage) est celui qui met en circulation l'installation et tous les composants nécessaires. Le fabricant de l'installation est responsable du projet, de la fabrication, du montage et de la mise en circulation.

Matériel d'élingage

Le matériel d'élingage désigne les équipements qui n'appartiennent pas à l'engin de levage et qui établissent la liaison entre l'élément de suspension des charges ou la charge et la plate-forme (par exemple boucle de câble, élingue ronde, maillons, crochet de levage à émerillon, crochet à anneau, poulie de renvoi).

Point d'élingage, point de suspension

Partie de la construction de suspension du client sur laquelle peuvent être élingués le câble porteur, le câble de sécurité, les poulies de renvoi ou l'engin de levage, indépendamment les uns des autres.

Responsable de la surveillance

Le responsable de la surveillance est nommé par l'exploitant ; il est en charge de la sécurité du travail sur le site.

Opérateur

Personne formée par l'exploitant pour pouvoir utiliser le produit et familiarisée avec son utilisation.

Exploitant

L'exploitant est responsable du bon fonctionnement de l'installation / l'appareil, ainsi que du respect des intervalles d'entretien, et de la réalisation des travaux de réparation.

Heures de service

Les heures de service sont la durée de fonctionnement effectif du moteur d'un treuil.

Electricien qualifié

Un électricien qualifié est une personne qui dispose de suffisamment de connaissances ou qui a acquis par sa formation les qualifications nécessaires lui permettant de reconnaître les risques et d'éviter les dangers supplémentaires que peut présenter l'électricité.

Charge suspendue totale

La charge suspendue totale est la charge statique dont l'effort s'exerce sur la suspension, composée de la charge utile, du poids propre du moyen d'élingage, de l'équipement supplémentaire, des câbles métalliques et des câbles de commande et de raccordement.

Engin de levage / Machine de levage des charges

Appareil ou équipement composé d'un appareil avec l'élément de suspension des charges pour le levage ou le transport des charges (par exemple treuil ou treuil avec câble et crochet de levage à émerillon).

Client/Client final

Le client ou le client final est le client du fabricant de l'installation et peut aussi être simultanément l'exploitant.

Plates-formes de levage pour charges (PLC)

Une pièce ou élément d'équipement n'appartenant pas à la machine, permettant la préhension de la charge, installé entre la quasi-machine et la charge ou sur la charge ou destiné à devenir partie intégrante de la charge. Sont également considérés plates-formes de levage les matériels d'élingage et leurs parties constitutives.

Plates-formes de levage pour matériel (PFM)

Plates-formes de levage destinées au matériel.

Capacité de charge maximale

La capacité de charge maximale indique quelle est la charge ne devant pas être dépassée sur l'appareil. La capacité de charge maximale est indiquée sur la plaque signalétique.

Charge utile

La charge utile est la charge pouvant être levée, tirée et maintenue en suspension par l'appareil. La charge utile peut être supérieure à la capacité de charge maximale par mouflage conformément au principe du palan. Il est interdit de dépasser la capacité de charge maximale par mouflage.

Personne compétente

Une personne désignée et formée en conséquence, qui est capable de par ses connaissances et son expérience pratique et avec les instructions nécessaires, de réaliser les travaux requis.

Pièces au contact des câbles

Les pièces au contact des câbles sont les treuils, les poulies de renvoi, les antichutes et autres dispositifs traversés par les câbles ou au contact des câbles.

Élément de suspension des charges

Est considéré élément de suspension des charges tout équipement relié à l'engin de levage pour la préhension de la plate-forme de levage, du matériel d'élingage ou de la charge (par exemple un crochet solidaire du câble porteur).

Personnel de maintenance

Une personne désignée et formée par TRACTEL Greifzug GmbH détenant un certificat valide, qui est capable, avec les instructions nécessaires, de réaliser les travaux d'entretien, de contrôle et de réparations requis.

1.2 Symboles utilisés

**DANGER !****Type et source du danger.**

Conséquence : p. ex. blessures gravissimes ou mortelles.

- Mesures qui permettent d'éviter ce danger.

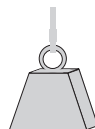
ATTENTION !**Type et source du danger.**

Conséquence : p. ex. dommages matériels ou écologiques.

- Mesures qui permettent d'éviter ces dommages.

Indication :

Ce symbole n'indique pas des consignes de sécurité, mais donne des informations pour mieux comprendre les opérations.



Ce symbole est destiné à marquer les appareils pour le transport des matériaux.



Ce symbole est destiné à marquer les appareils pour le transport des personnes et des matériaux.

FR

2 Sécurité

2.1 Consignes de sécurité générales

**DANGER !****Danger d'accident grave en cas de dysfonctionnements, d'utilisation ou de manipulation incorrectes !**

- Respecter les indications suivantes pour assurer une utilisation en toute sécurité et un fonctionnement correct de l'appareil !
 - Respecter aussi les consignes de sécurité spéciales pour les travaux qui doivent être exécutés mentionnées dans les chapitres individuels de la présente notice d'utilisation.
-
- Il est interdit d'utiliser des appareils défectueux et endommagés ; il est interdit de rapporter des pièces accessoires et des moyens d'élingage.
 - Seuls peuvent être utilisés les câbles prescrits par le fabricant et les câbles d'origine homologués pour l'application en cause. Respecter les indications sur le type de câble et le diamètre de câble.
 - Le câble, les pièces au contact du câble et le matériel d'élingage ne doivent pas être salis par des matériaux de construction encrassés tels que béton, résine époxy ou autres agents adhésifs. Protéger l'appareil contre l'encrassement ! Dans un environnement très encrassé, utiliser des brosses pour nettoyer le câble.
 - Pour les travaux de sablage ou de peinture à proximité du treuil, couvrir les treuils pour ne pas compromettre l'efficacité du frein.
 - Respecter la date de mise au rebut du câble, voir '15.4 Entretien et maintenance, Câble' page 20.
 - Nettoyer régulièrement.

- Vérifier la stabilité de tous les assemblages vissés.
- Changer les pièces endommagées ou les faire réparer par le personnel qualifié. Les réparations seront effectuées uniquement par un atelier homologué ou par TRACTEL Greifzug GmbH.
- Il est interdit de nettoyer le câble et les pièces au contact du câble avec un nettoyeur haute pression ! La pénétration de l'humidité provoque des dysfonctionnements et endommage les équipements mécaniques (p. ex. les freins, les roulements à billes) et les appareillages électriques.
- La saleté entraîne une usure prématurée du câble et détruit le câble, le matériel d'élingage et les pièces au contact du câble.
- Ne pas lubrifier le câble de sécurité avec des lubrifiants à base de disulfure (p. ex. Molycote®).
- Respecter les fiches de sécurité du fabricant de lubrifiant.
- Tenir compte des indications pour le transport, le stockage et le nettoyage, à partir de la page 18.
- Les moyens de fixation doivent être conformes aux indications de cette notice et aux normes/directives en vigueur.
- Il est interdit de dépasser la capacité de charge maximale.
- Les moteurs peuvent chauffer pendant le fonctionnement. Ne pas toucher les moteurs.
- Le fonctionnement du moteur sans bouchon (position 3, cf. Fig. 16) est interdit. La pénétration de l'humidité peut compromettre l'efficacité du frein. Risque de blessure si l'arbre moteur dégagé.
- Il est interdit d'utiliser l'appareil en plein air par temps orageux et tempête. Danger lié à la foudre ou au basculement de la charge sous les rafales de vent.
- Lors de la planification de travail, il faut tenir compte des conditions météorologiques et du vent : en cas de doute, avant de commencer le travail consulter un centre de prévisions météo.
- Les travaux de réparation et d'entretien seront exécutés uniquement par les personnes autorisées, cf. '15.1 Personnel de maintenance autorisé' page 19.
- Il est interdit de réemployer les écrous autofreinés ; ils doivent être changés.
- Le montage et la manipulation ne doivent être effectués que par du personnel formé à cet effet en tenant compte de cette notice.
- Les utilisateurs privés sont obligés de se faire former par TRACTEL Greifzug GmbH pour le montage, l'utilisation et l'entretien de l'appareil.
- Les travaux sur les équipements électriques ne doivent être réalisés que par un électricien qualifié ou par des personnes formées à cet effet, sous la direction et la surveillance d'un électricien qualifié, conformément aux normes, réglementations et règles de l'électrotechnique.
- Pour prévenir les risques d'accident électrique, réaliser le branchement conformément à '9.3 Montage, Raccordement électrique' page 12.
- Il est interdit de se tenir sous la charge en suspension. Si nécessaire, bloquer la zone dangereuse. Retenir la charge qui s'est accrochée ou coincée et sécuriser.
- Ne pas saisir le câble pendant le fonctionnement.
- Pendant le fonctionnement, ne pas chercher à saisir dans l'entrée et la sortie des pièces au contact du câble. Risque de happement et d'écrasement.
- Selon les conditions de montage du treuil, le port d'une protection auditive peut s'avérer nécessaire.
- Si la charge n'est pas guidée par l'installation du client, utiliser un câble stabilisé contre la giration, avec crochet à émerillon ou un émerillon.
- Pour les travaux de soudure, respecter les prescriptions nationales de sécurité et de protection du travail (p. ex. en Allemagne Règlement 159 de la Mutuelle professionnelle BGR).

2.2 Indications pour l'exploitant

- Si plus d'une personne est chargée du travail décrit ici, l'exploitant nommera un responsable de la surveillance ayant pouvoir d'injonction.
- L'exploitant est responsable de la fourniture d'instructions d'utilisation, de maintenance, d'entretien et d'autres instructions de service claires, et doit assurer par la formation et l'initiation du personnel, l'utilisation correcte et conforme à l'emploi prévu, ainsi que la manipulation correcte de l'appareil.
- Les autocollants et les plaques d'avertissement seront maintenus dans un état de lisibilité parfaite. Les autocollants et les plaques d'avertissement manquants seront remplacés immédiatement.
- L'exploitant est responsable du bon fonctionnement de l'installation, ainsi que du respect des intervalles d'entretien, et de la réalisation des travaux d'entretien.
- L'exploitant s'engage à tenir le journal de bord fourni.
- Dans l'Union Européenne, il faut appliquer la directive 89/391/CEE (en Allemagne le Décret sur la sécurité des exploitations (BetrSichV)). Il faut respecter les dispositions nationales de protection au travail dans le pays concerné.
- Mettre des équipements de protection appropriés à disposition, tels que par ex. des gants de protection, une protection auditive et un système antichute. La protection contre les conditions météorologiques extrêmes (par ex. la protection contre le soleil, contre le froid) fait partie de l'équipement de protection individuelle.
- S'assurer que le poste de travail est toujours suffisamment éclairé.
- La présente notice et les notices des pièces accessoires seront remise au personnel en charge des travaux. Ces documents seront toujours tenus à portée de la main.
- Étant donné que TRACTEL Greifzug GmbH ignore le cas d'application du produit décrit dans le présent document, l'exploitant est tenu d'informer son personnel sur les con-

signes de sécurité supplémentaires et sur les travaux d'entretien complémentaires.

- L'exploitant de l'installation assume l'entière responsabilité pour la méthode de fixation et l'adaptation des moyens d'élingage.
- Les moyens de fixation doivent être conformes aux indications de cette notice et aux normes/directives en vigueur.
- Le fonctionnement sécurisé n'est pas assuré si des pièces de rechange non originales sont utilisées. C'est le cas en particulier pour l'utilisation de câbles qui ne sont pas homologués d'origine tels qu'ils sont prescrits et destinés à l'application en cause. Le droit de garantie à l'encontre du fabricant devient alors caduc. Les produits ne portant pas la marque CE perdent leur validité.
- Tenir compte de la plage de température admissible, cf. Tableau 1 page II.

2.3 Responsabilité du fabricant de l'installation

- Le fabricant de l'installation est responsable du projet, de la fabrication, du montage et de la mise en circulation, ainsi que du marquage CE de l'installation, et de l'établissement de la déclaration de conformité CE.
- Les produits figurant dans la livraison de TRACTEL Greifzug GmbH doivent être sélectionnés soigneusement par le fabricant de l'installation, utilisés conformément à l'emploi prévu, et montés suivant les indications de la présente notice de montage et d'utilisation.
- Les informations et les indications de cette notice de montage et d'utilisation seront intégrées dans le manuel de service et la documentation du fabricant de l'installation, et complétées par des informations spécifiques à l'installation (p. ex. conduite à tenir en cas d'incidents et de blocage). Il ne suffit pas de transmettre cette notice à l'exploitant.
- Si nécessaire, un rapport de contrôle sera établi décrivant dans le détail les essais statiques et dynamiques.
- Les indications concernant l'entretien du produit et des accessoires seront intégrées dans le carnet d'entretien de l'installation.

3 Vue d'ensemble

3.1 Etat de livraison

A la livraison, le matériel est entièrement assemblé.

3.2 Produits fournis

- Treuil avec câbles de commande et de raccordement (câblé) conformément à la spécification de commande
- Câble métallique tirak™ conformément à la spécification de commande

- Manuel d'installation et de maintenance d'origine
- Schéma de circuits
- Journal de bord
- Certificats de contrôle
- Déclaration de conformité CE
- Fins de course pour couper les mouvements de levage et de traction, conformément à la spécification de commande

Produits en option

- Boîte à boutons, enfichable
- Commande centrale, enfichable
- Limitation de la force de levage électronique ou mécanique
- Poulie de renvoi
- Embouts de brosses pour nettoyer le câble

La longueur du câble de commande et du câble de raccordement sont fixées à la commande. Cf. aussi '6 Accessoires en option' page 10, '7 Options' page 10 et 'Raccordement électrique' page 12.

3.3 Description de l'appareil

Utilisation normale

Treuil

Les treuils sont prévus pour monter et descendre ou tirer, relâcher et déplacer les charges. Le produit ne doit être utilisé que pour le transport de matériaux.

Le transport des personnes avec ce produit est interdit.

Seuls peuvent être utilisés les câbles prescrits par le fabricant et les câbles d'origine homologués pour l'application en cause. Respecter les indications sur le type de câble et le diamètre de câble.

Série X :

L'entrée du câble est située côté moteur (noter la flèche sur le boîtier !) et correspond au côté de la charge du treuil. La sortie du câble métallique concorde au côté sans charge du treuil. Le côté sans charge du treuil peut être chargé de maximum 100 kg (par ex. par une précontrainte du câble).

Série T :

Le treuil peut tirer dans les deux sens. L'entrée du câble peut être située selon le sens de déplacement du côté moteur ou du côté opposé. En tirage, la précontrainte du câble ne doit pas être supérieure à 400 kg (cf. Fig. 20 g/h).

Caractéristiques de l'appareil

L'appareil est prévu pour une utilisation commerciale ou privée. L'utilisation exacte est fixée par l'exploitant ou le fabricant de l'installation.

Les poulies orientables, les crochets, manilles, oeillets et autres éléments de suspension des charges faisant partie de l'appareil

ne peuvent être utilisés qu'en association avec les appareils auxquels ils appartiennent.

Si la charge n'est pas guidée par l'installation du client, utiliser un câble stabilisé contre la giration, avec crochet à émerillon ou un émerillon.

Les travaux de réparation et d'entretien seront exécutés uniquement par les personnes autorisées, cf. '15.1 Personnel de maintenance autorisé' page 19.

Exigences de protection de la santé et de la sécurité

TRACTEL Greifzug GmbH déclare que la machine décrite dans la présente notice satisfait aux consignes de sécurité technique qui s'imposent au fabricant de l'équipement à la date de mise en circulation à l'intérieur de l'Union Européenne.

Les rapports d'essais (certificats d'essais) sont joints à l'appareil. Les rapports d'essais décrivent dans le détail les essais statiques et dynamiques.

Il appartient au fabricant de l'installation et à l'exploitant de choisir le treuil avec limiteur de force de levage mécanique conformément aux directives et aux normes en vigueur, dans les limites d'application pour les treuils en fonction de l'application, avec réglage si nécessaire.

Il est interdit de mettre la quasi-machine en service avant que l'installation dans laquelle elle sera incorporée soit conforme aux dispositions de la Directive 2006/42/CE et à la législation nationale de transposition et que la déclaration de conformité afférente soit établie.

L'exploitant ou le fabricant de l'installation est tenu de réaliser une évaluation des risques conformément à l'annexe I de la directive 2006/42/CE. La norme EN 14492-1 doit être prise en considération lors de la planification de l'installation.

Exclusions de garantie et de responsabilité

Cf. '11 Abus évident' page 17.

Toute utilisation divergeant des indications mentionnées ici est considérée interdite. TRACTEL Greifzug GmbH n'est pas responsable des dommages qui en résulteraient. L'exploitant est seul responsable des risques d'une utilisation interdite. L'utilisation normale comprend aussi l'observation de toutes les indications de la notice, en particulier des réglementations de montage et de maintenance.

Domaine d'utilisation

L'appareil est adapté pour les conditions d'exploitation suivantes :

- Pour installation fixes ou mobiles
- Pour utilisation de courte durée : Catégories des mécanismes de treuil cf. Tableau 1 page II.
- A des altitudes maximales de 1000 m au-dessus du niveau de la mer
- Plage de température admissible, cf. Tableau 1 page II



DANGER !

Danger d'accident grave !

- Il est interdit de faire fonctionner le treuil 24 heures sur 24.
- Il est interdit d'utiliser le treuil dans les zones soumises à des risques d'explosion.
- L'utilisation est interdite en atmosphère corrosive.¹⁾
- L'utilisation est interdite à proximité de la flamme nue ou dans une atmosphère à température élevée.
- Le transport des personnes est interdit !

¹⁾ Protection anticorrosion conformément aux spécifications de la commande

Exemple de montage

Cf. Fig. 20.

Conditions de construction

Consignes générales

Tenir compte de la charge utile dont l'effort s'exerce sur l'engin de levage, la poulie de renvoi, le moyen d'élingage et le point de fixation. Cf. '4.9 Limites de charge' page 10.

Si la charge n'est pas guidée par l'installation du client, utiliser un câble stabilisé contre la giration, avec crochet à émerillon ou un émerillon.

Le câble, les pièces au contact du câble et le matériel d'élingage ne doivent pas être salis par des matériaux de construction encrassés tels que béton, résine époxy ou autres agents adhésifs. Protéger l'appareil contre l'encrassement ! Dans un environnement très encrassé, utiliser des brosses pour nettoyer le câble.

Point d'élingage, point de suspension

La conception du client pour la fixation de l'appareil doit être conforme aux directives et normes en vigueur (cf. '9.1 Directives et normes' page 10).

La conception de suspension sera conçue en fonction de la charge suspendue totale pour les interventions prévues. La charge suspendue totale est la charge statique dont l'effort s'exerce sur la suspension, composée de la charge utile, du poids propre du moyen d'élingage, de l'équipement supplémentaire, des câbles métalliques et des câbles de commande et de raccordement.

Si nécessaire, un rapport de contrôle sera établi décrivant dans le détail les essais statiques et dynamiques.

Course de déplacement

La course du treuil en manoeuvre de levage doit être limitée par un ou plusieurs fins de course de manière à stopper la montée et/ou la descente.

En fonction de son analyse du risque, l'exploitant et le fabricant de l'installation fixeront la géométrie et le lieu d'implantation du fin de course.

L'exploitant ou le fabricant de l'installation doit installer un fin de course, si nécessaire un interrupteur de fin de course de secours et un interrupteur de fin de course au sol, et les raccorder au treuil. Les interrupteurs de fin de course doivent être à ouverture forcée.

La distance entre le fin de course et la fixation du câble ou les pièces saillantes sera choisi de manière à ce que l'appareil soit déconnecté avec sûreté et en temps utile. Nous recommandons une distance minimale (cote a) de ~ 0,5 à 1,5 m. Cf. Fig. 14.

La longueur du câble sera fixée de manière à ce que l'assemblage des terminaisons de câble, le point d'accrochage de la charge et l'extrémité du câble ne parvienne pas ni ne soit introduite dans l'appareil et les pièces accessoires.

Dispositifs de commande

Le dispositif de commande doit être positionné de façon à permettre en tout temps la commande sécurisée de tous les mouvements du treuil.

Disposer les touches de commande de manière à exclure toute confusion.

En ce qui concerne la boîte à boutons, le bouton qui est plus proche de la sortie de câble doit toujours être le bouton MONTE.

Plaques signalétiques et panneaux d'avertissement / Limites de l'utilisation

Remplacer immédiatement les plaques signalétiques et les plaques d'avertissement manquantes et illisibles.

Cf. Fig. 11.

Rep.	Désignation
1	Plaque signalétique 'Diamètre du câble métallique'
2	Plaque signalétique tirak™
3	Plaque signalétique du frein
4	Plaque signalétique du moteur électrique
5	Panneau d'avertissement Descente de secours
6	Marquage du câble

Les plaques signalétiques comprennent les informations nécessaires.

Directives et normes

Directives et normes ayant été appliquées : cf. '9.1 Directives et normes' page 10.

Versions de produits dans la notice

La présente notice décrit les modèles de produits indiqués Tableau 1 page II.

Compteur d'heures de service

Le compteur d'heures de service se trouve dans la boîte à bornes du treuil. Le compteur d'heures de service compte les durées comme des heures de service pendant lesquelles le treuil est en service (MONTÉE et DESCENTE). Relever le compteur d'heures de service : cf. '15.3 Lire le compteur d'heures de service' page 19.

4 Description

4.1 Description du fonctionnement

tirak™ est un treuil permettant de transporter les charges. Le treuil fonctionne avec un moteur électrique. Les treuils de la série X peuvent monter, descendre, tirer et donner du mou. Les treuils de la série T peuvent tirer dans les deux sens et être utilisés par ex. pour déplacer les charges.

Il est commandé par une boîte à boutons, un boîtier de commande ou une commande centrale.

Le frein électromagnétique à ressorts se ferme automatiquement lorsque le bouton MONTER ou DESCENDRE est relâché sur le dispositif de commande ou si le courant est coupé. En descente de la charge par relevage manuel du frein à ressorts, un frein centrifuge prévient la vitesse excessive du câble.

La charge utile du treuil peut être multipliée plusieurs fois par le mouflage du câble, conformément au principe du palan. Cf. '4.9 Limites de charge' page 10.

En appuyant sur la touche d'arrêt de SECOURS, il est possible d'arrêter immédiatement le treuil dans des situations dangereuses.

Série X :

Les treuils dont la capacité de charge maximale se situe à partir de 1000 kg sont équipés d'une limitation mécanique de la force de levage. Les treuils d'une capacité de charge atteignant jusqu'à 1000 kg peuvent être équipés en option d'une limitation électronique ou mécanique de la force de levage.

Série T :

Les treuils de la série T peuvent être équipés en option d'une limitation électronique de la force de levage.

La limitation de force de levage déclenche automatiquement lorsque la surcharge qui a été réglée est atteinte. La montée du treuil s'arrête. Le réglage de consigne de la surcharge maximale découle des directives et des normes en vigueur (cf. '9.1 Directives et normes' page 10).

Le fabricant de l'installation et l'exploitant sont tenus de déterminer quelle est la surcharge maximale en fonction de l'application et d'effectuer les réglages adéquats.

Pour d'autres informations, voir '15.5 Travaux de réglage, Régler le limiteur de la force de levage' page 21.

4.2 Composants/Modules

Cf. Fig. 1.

Rep.	Désignation
1	Câble
2	Connecteur vers l'interrupteur de fin de course ¹⁾
3	Levier de relevage du frein
4	Poignée
5	Connecteur vers la commande ¹⁾
6	Boîte à bornes
7	Transmission par câble
8	Poignée de transport
9	Engrenage
10	Unité de commande ¹⁾
11	Moteur
12	Commande (boîte à boutons) ¹⁾
13	Fiche de raccordement
14	Interrupteur de fin de course (sans représentation) ¹⁾
	En option : Convertisseur de fréquence (sans représentation)

¹⁾ Produits fournis en option, selon le modèle du treuil et la spécification de commande

4.3 Caractéristiques techniques

Vous trouverez les caractéristiques techniques dans Tableau 1 page II.

4.4 Consommables

Huile d'engrenage

Huile d'engrenage, voir Tableau 2 page V.

Normalement, il n'est pas nécessaire de vidanger l'huile de boîte.

ATTENTION !

Mauvaise huile pour engrenages !

Avarie de l'engrenage par manque de lubrification.

- N'utiliser que les lubrifiants indiqués dans le tableau.

Ne pas mélanger les huiles synthétiques et minérales !

- Rincer plusieurs fois abondamment l'engrenage avec le nouveau type d'huile lors de la vidange.
- Remplacer la vis de vidange en fonction du nouveau type d'huile (vis à six pans creux : huile minérale; vis à six pans : huile synthétique).

Lubrifiants

Utilisation	Lubrifiants
Engrenage extérieur à poulie d'adhérence (uniquement pour la série X 3050)	hebro-chemie VARILUB ou Klüber Grafloscon C-SG 0 Ultra ou Klüber C-SG 1000 Ultra quantité env. 10 cm ³ par lubrification
Câble	Huile/graisse multi-usage (sans disulfure)

4.5 Schéma de circuits

Le schéma de circuits se trouve dans la boîte à bornes du moteur.

4.6 Boîtier de commande



DANGER!

Risque de confusion par une programmation erronée des touches.

Danger d'accident grave !

- Ne pas confondre les boîtes à bouton enfichables entre les différents treuils.
- Le bouton qui est plus proche de la sortie de câble de la boîte à boutons doit toujours être en position MONTE, pour que la coupure de surcharge soit efficace.

Selon le modèle, le treuil est commandé par une boîte à boutons, un boîtier de commande ou une commande centrale, cf. Fig. 1 et Fig. 4.

Rep.	Désignation	Fonction
Une plage de vitesse :		
1	Touche MONTE	Monter la charge / Tirer le câble : - Appuyer sur la touche et la maintenir enfoncée
2	Touche BAISSÉ	Descendre la charge / Détendre le câble : - Appuyer sur la touche et la maintenir enfoncée
3	Bouton d'arrêt de SECOURS	Activer: - Tourner vers la droite jusqu'à ce que la touche saute : Interrompre le courant : - Appuyer sur la touche.

Rep.	Désignation	Fonction
Avec deux plages de vitesse :		
4	Touche MONTE	Monter la charge / Tirer le câble : <ul style="list-style-type: none"> – Appuyer à demi sur la touche et la maintenir enfoncée : vitesse lente – Appuyer complètement sur la touche et la maintenir enfoncée : vitesse rapide
5	Touche BAISSÉ	Descendre la charge / Détendre le câble : <ul style="list-style-type: none"> – Appuyer à demi sur la touche et la maintenir enfoncée : vitesse lente – Appuyer complètement sur la touche et la maintenir enfoncée : vitesse rapide
6	Bouton d'arrêt de SECOURS	Voir Point 3.

4.7 Equipements de sécurité

Bouton d'arrêt de SECOURS

Le bouton d'arrêt de SECOURS permet d'arrêter immédiatement le treuil en cas d'urgence.

Limitation mécanique de force de levage

Série X :

- à partir d'une capacité de charge maximale de 1000 kg d'un composant faisant partie du contenu de la livraison
- jusqu'à 1000 kg de capacité de charge en option

La limitation de force de levage déclenche automatiquement lorsque la consigne qui a été réglée pour la surcharge est atteinte. Le treuil s'arrête. Le réglage de consigne de la surcharge maximale découle des directives et des normes en vigueur (cf. '9.1 Directives et normes' page 10).

Le fabricant de l'installation et l'exploitant sont tenus de déterminer quelle est la surcharge maximale en fonction de l'application et d'effectuer les réglages adéquats.

Pour d'autres informations, voir '15.5 Travaux de réglage, Régler le limiteur de la force de levage' page 21.

Limitation électronique de la force de levage (en option)

La limitation électronique de la force de levage s'arrête automatiquement en cas de surcharge. La limitation de la force de levage réagit à la consommation de courant du moteur. Les treuils à deux niveaux de vitesse sont équipés de deux limitations électroniques de la force de levage. Une surcharge est décelée lors du levage.

Frein à ressorts

Le frein électromagnétique à ressorts se ferme automatiquement lorsque le bouton MONTER ou DESCENDRE est relâché sur le dispositif de commande ou si le courant est coupé.

Frein centrifuge

Lorsque le frein à ressorts sur le moteur du treuil est déclenché à la main, un frein centrifuge sur l'arbre moteur assure que la charge ne soit pas descendue trop rapidement.

Fin de course / fin de course de secours

La course du treuil en manoeuvre de levage doit être limitée par un ou plusieurs fins de course de manière à stopper la montée et/ou la descente.

En fonction de son analyse du risque, l'exploitant et le fabricant de l'installation fixeront la géométrie et le lieu d'implantation du fin de course.

L'exploitant ou le fabricant de l'installation doit installer un fin de course, si nécessaire un interrupteur de fin de course de secours et un interrupteur de fin de course au sol, et les raccorder au treuil. Les interrupteurs de fin de course doivent être à ouverture forcée.

Compteur d'heures de service

Les heures de service peuvent être relevées sur le compteur d'heures de service pour fixer le prochain contrôle de sécurité du treuil.

Relais de contrôle d'ordre de phases (treuils sans convertisseur de fréquence)

Le relais de contrôle d'ordre de phases installé sur les commandes de transmission à courant triphasé arrête le fonctionnement en cas d'interversion de phase, et empêche l'interversion des sens de marche MONTER/DESCENDRE qui pourrait, dans certaines circonstances, neutraliser les interrupteurs de fin de course et la limitation de force de levage.

4.8 Fixation



DANGER !

Danger d'accident grave à cause d'une fixation non conforme !

Les boulons galvanisés haute résistance peuvent devenir fragiles et rompre. Risque chute de l'installation et de blessure de chute d'objets !

- Pour la fixation, il est interdit d'utiliser des boulons galvanisés haute résistance (10.9 et 12.9).
- Utiliser des boulons présentant une résistance suffisante.

Vous trouverez les informations sur la résistance des boulons/vis dans le Tableau 4 page VII. Respecter les indications de 'Conditions de construction' page 6.

Le treuil peut être fixé avec et sans adaptateur (voir Pos. D dans Fig. 2).

Fixation sans adaptateur :

- au moins 2 boulons avec écrous autobloquants

Fixation avec adaptateur :

- 2 boulons avec écrous autobloquants

A la place des boulons, il est aussi possible d'utiliser des broches avec au moins la même résistance, et présentant une sécurité identique.

Cf. aussi '9.3 Montage' page 11.

4.9 Limites de charge



DANGER !

Fixation non conforme ! Utilisation non conforme !

Risque de blessure par chute d'objets !

Vous tiendrez compte du fait qu'en fonction de la disposition de l'engin de levage, de la poulie de renvoi et de la charge, la charge s'accroît sur la poulie de renvoi, le matériel d'élingage et le point de fixation !

- La résistance à la rupture des poulies de renvoi, du matériel d'élingage et des points de fixation : la capacité de charge maximale du treuil dépasse de 4 fois la capacité nominale dans la situation d'intervention (cf. Fig. 20).

La capacité de charge du treuil peut être augmentée par mouflage du câble, cf. 'Fig. 20 (F est la capacité de charge maximale du treuil). Il est interdit de dépasser par excès la capacité de charge maximale par mouflage.

Indication :

Le mouflage permet de diminuer la vitesse de levage.

5 Câbles

Généralités



DANGER!

Câble ou diamètre de câble non conformes !

L'utilisation d'un câble non conforme constitue un risque de chute, de blessure par chute d'objets et un risque de dysfonctionnements !

- Pour un fonctionnement fiable du système, utiliser uniquement un câble d'origine homologué par TRACTEL Greifzug GmbH d'un diamètre approprié et de type prescrit.
- Si la charge n'est pas guidée par l'installation du client, utiliser un câble stabilisé contre la giration, avec crochet à émerillon ou un émerillon.
- Vous trouverez le diamètre de câble nécessaire dans le Tableau 1 page II. Le modèle est indiqué dans le Tableau 7 page 20.

Le câble figure dans la livraison.

Autre configuration admissible des câbles :

- Extrémité / cosse
- Extrémité / crochet de sécurité

6 Accessoires en option

En complément, il est possible d'acheter les accessoires suivants :

- Poulie de renvoi
- Adaptateur, crochet à piton ou élément de suspension

Pour ce matériel, veuillez vous adresser directement à TRACTEL Greifzug GmbH.

7 Options

Pour ce matériel, veuillez vous adresser directement à TRACTEL Greifzug GmbH.

8 Accessoires nécessaires

Pour pouvoir utiliser l'appareil, vous avez besoin des accessoires suivants qui ne figurent pas dans la livraison :

- Moyen d'élingage avec moyen de fixation d'une résistance minimale à la rupture suffisante (cf. 'Conditions de construction' page 6).
- Si le câble est dévié ou passe sur une poulie : Moyen d'élingage avec moyen de fixation d'une résistance minimale à la rupture suffisante (voir '3.3 Description de l'appareil, Conditions de construction' page 6).
- Si nécessaire, utiliser un câble de raccordement plus long, cf. 'Raccordement électrique' page 12.

Autres accessoires Greifzug d'origine : cf. '6 Accessoires en option' page 10.

L'exploitant ou le fabricant de l'installation est responsable de la sélection et de l'utilisation des accessoires conformément aux conditions locales. Il convient de respecter les autres spécifications indiquées dans les normes et directives respectivement en vigueur.

9 Installation et mise en service

9.1 Directives et normes

L'appareil satisfait aux directives et normes suivantes :

- Directive sur les machines 2006/42/CE
- EN ISO 12100:2010
- EN ISO 13849
- EN 60204
- Machines destinées au levage des charges (transport des matériaux) : EN 14492-1:2006 + A1:2009
- Les buts en matière de protection de la Directive 2006/95/CE sont respectés conformément à l'Annexe I n° 1.5 de la Directive 2006/42/CE.

L'exploitant ou le fabricant de l'installation endosse la responsabilité de l'utilisation de la quasi-machine dans les limites indiquées dans la présente notice. L'exploitant ou le fabricant de l'installation doivent aussi s'assurer que la machine dans laquelle la quasi-machine est intégrée satisfait aux directives et normes ci-dessus.

9.2 Contrôles avant de commencer le montage

Contrôler le matériel d'élingage, les poulies de renvoi et les points de fixation

- S'assurer que la poulie de renvoi, le matériel d'élingage et le point de fixation sur le site ont la capacité de charge minimale requise, cf. 'Conditions de construction' page 6.

Contrôle de l'emplacement de montage

Généralités

- S'assurer que les pièces extérieures ne gênent pas la conformité du montage.
Aucune pièce pointue ou tranchante ne doit se trouver dans le logement.
- Contrôler que les plaques signalétiques ne sont pas recouvertes par la fixation (cf. Fig. 11).
Le cas échéant, prévoir des encoches dans la fixation.
- Contrôler si une possibilité de raccordement appropriée de l'alimentation électrique est disponible sur place, conformément au chapitre 'Raccordement électrique' page 12.

Treuil

- Tenir compte de l'espace de montage nécessaire conformément à Fig. 2 et Tableau 1 page II.
- Contrôler que le câble rentre verticalement dans le treuil (Fig. 2).

Contrôle des composants et des accessoires

Généralités

- S'assurer que les composants et les accessoires sont au complet (cf. '3.2 Produits fournis' page 5 et '4.2 Composants/Modules' page 8).
- S'assurer qu'aucune pièce n'est endommagée.
- Vérifier la stabilité de tous les assemblages vissés.
- Changer les pièces endommagées ou les faire réparer par le personnel qualifié. Les réparations seront effectuées uniquement par un atelier homologué ou par TRACTEL Greifzug GmbH.

Câble

- S'assurer que le diamètre et le type de câble sont conformes à l'appareil et à l'application. Cf. Tableau 1 page II, Tableau 7 page 20 et 'Plaques signalétiques et panneaux d'avertissement / Limites de l'utilisation' page 7.

Si la charge n'est pas guidée par l'installation du client, utiliser un câble stabilisé contre la giration, avec crochet à émerillon ou un émerillon.

- S'assurer que le câble a une longueur suffisante :
La charge doit pouvoir être déplacée en toute sécurité jusqu'à la position initiale et la position finale.
La longueur du câble sera fixée de manière à ce que l'assemblage des terminaisons de câble, le point d'accrochage de la charge et l'extrémité du câble ne parvienne pas ni ne soit introduite dans l'appareil et les pièces accessoires.
- Vérifier l'absence de dommages visibles sur toute la longueur du câble, cf. Fig. 13.
- Contrôler en conséquence l'extrémité du câble Fig. 8 (cf. aussi '15.4 Entretien et maintenance, Câble' page 20).
- Nettoyer régulièrement.
- S'assurer que la cosse (1) et la garniture de pression (2) sont en parfait état (cf. Fig. 10).
- Câble avec crochet :
S'assurer que le crochet et le clapet de sécurité (3) sont en parfait état, cf. Fig. 10.
- Câble avec crochet de sécurité :
S'assurer que le crochet de sécurité (4) ferme correctement et que le blocage est fonctionnel, cf. Fig. 10.

Moyens de fixation

- S'assurer que les boulons, les vis et le matériel d'élingage sont conformes aux prescriptions '4.8 Fixation' page 9.
- S'assurer que les brides, les broches d'arrimage et les assemblages vissés ne sont pas endommagés.

Câble de branchement

- Contrôler que la longueur est suffisante.
- Contrôler si la section de câble est suffisante pour la longueur prévue (cf. Tableau 5 et 6 page 12).
- Vérifier l'absence de dommages visibles sur toute la longueur du câble.

Câble de commande

- Contrôler que la longueur est suffisante.
- Vérifier l'absence de dommages visibles sur toute la longueur du câble.

9.3 Montage

Conditions

- Le montage ne doit être effectué que par du personnel formé.
- Le poste de travail doit être suffisamment éclairé.

Fixer le treuil



DANGER !

Fixation non conforme !

Risque de blessure par chute d'objets !

- Fixer le treuil uniquement aux trous d'ancrage indiqués, avec les moyens de fixation indiqués.
- Le câble doit rentrer verticalement dans le treuil (cf. Fig. 2).
- Si vous avez besoin d'une charge utile plus élevée : Tenir compte des indications de '4.9 Limites de charge' page 10.

Danger d'accident grave à cause d'une fixation non conforme !

Les boulons galvanisés haute résistance peuvent devenir fragiles et rompre. Risque chute de l'installation et de blessure de chute d'objets !

- Pour la fixation, il est interdit d'utiliser des boulons galvanisés haute résistance (10.9 et 12.9).
- Utiliser des boulons présentant une résistance suffisante.

Clavettes mal placées !

Risque de blessure par chute d'objets !

- Placer les clavettes conformément à Fig. 6.

ATTENTION !

Erreur de montage !

Risque de dommage de l'appareil !

Risque de destruction de l'engrenage par pénurie d'huile ou lubrification insuffisante !

- Il est interdit d'installer le treuil en position horizontale sur la face plane.
- Fixer le treuil de manière que la face plane soit orientée sur le côté ou vers le haut, cf. Fig. 2.
- Bloquer les vis avec des écrous autobloquants pour ne pas les perdre.
- Bloquer les boulons avec une clavette ou une sécurité similaire.

Série X

Cf. Fig. 2 et Tableau 4 page VII.

ATTENTION !

Fixation incorrecte !

Risque de dommage de l'appareil !

L'appareil peut être endommagé s'il est fixé dans les mauvais trous d'ancrage.

- Fixer le treuil uniquement aux trous d'ancrage indiqués avec les moyens de fixation indiqués.
- La fixation aux trous d'ancrage diagonaux en face est interdite.
- La fixation aux trous d'ancrage A3 + A4 est interdite, conformément à la Fig. 2.

Fixation aux points d'ancrage A :

- Fixer le treuil avec des vis ou des boulons à au moins deux points d'ancrage.
A1 + A2 ou A2 + A3 ou A1 + A4

Fixation au point d'ancrage B :

- Fixer le treuil avec les vis ou les boulons.

Série T

Cf. Fig. 3 et Tableau 4 page VII.

ATTENTION !

Fixation incorrecte !

Risque de dommage de l'appareil !

L'appareil peut être endommagé s'il est fixé dans les mauvais trous d'ancrage.

- Fixer le treuil uniquement aux trous d'ancrage indiqués avec les moyens de fixation indiqués.
- Si la charge doit être tirée depuis la direction A2, utiliser le point d'ancrage A1.
- Si la charge doit être tirée depuis la direction A4, utiliser le point d'ancrage A3.
- Si la charge doit être tirée dans les deux sens, utiliser les points d'ancrage A1 + A3.

Risque d'endommagement des brides de fixation !

- Serrer l'écrou autobloquant (1) jusqu'à ce qu'il vienne affleurer la bride (2).

- Fixer le treuil avec la vis ou le boulon au point d'ancrage A1 ou A3 ou A1 + A3.

Raccordement électrique



DANGER !

Risque de choc électrique ! Risque d'accident grave !

Tous les travaux d'installation et les branchements électriques seront réalisés conformément à la réglementation nationale.

- Seuls les électriciens peuvent exécuter le branchement électrique.

Danger lié à une utilisation non autorisée !

Le raccordement électrique doit être effectué par l'exploitant de manière à protéger le treuil contre une utilisation non autorisée ! Les mesures de protection appropriées peuvent être les suivantes :

- dispositif d'arrêt d'urgence verrouillable,
- interrupteur principal verrouillable,
- interrupteur à clé,
- dispositif de commande amovible.

Risque d'accident grave ! Risque de choc électrique !

Afin de prévenir le risque d'accident électrique, le branchement sera réalisé conformément aux consignes de la présente notice.

Le raccordement électrique doit être fait conformément à la norme EN 60204-32.

La mise à la terre se fait par le câble d'alimentation. Vérifier le fonctionnement de la mise à la terre (contrôle de la protection d'isolement). Si nécessaire, d'autres mesures seront appliquées.

Si nécessaire, vous pouvez utiliser une génératrice de puissance nominale 3 fois plus élevée que celle du treuil (puissance nominale de la génératrice [kVA] = nombre de treuils x puissance nominale des treuils [kW] x 3). La génératrice sera mise à la terre par l'exploitant. Vérifier le fonctionnement de la mise à la terre (contrôle de la protection d'isolement).

Le raccordement mis à disposition doit être équipé d'un disjoncteur différentiel de 30 mA (FI ou RCD) et d'une protection contre les surcharges de courant (coupe-circuit automatique caractéristique K) conformément au schéma de circuits et à la spécification de commande. Le courant de démarrage correspond au triple du courant nominal du treuil.

- Courant triphasé : 400 V (3P + N + PE), 50 Hz
- Courant alternatif : 230 V (3P + N + PE), 50 Hz

Plus le câble d'alimentation est long, plus la section de câble doit être grande.

- Fixer les câbles suspendus avec une gaine de câble (1), cf. Fig. 7.
- Utiliser des câbles en caoutchouc lourds avec élément de suspension.

Détermination de la section de câble requise :

Les tableaux ci-dessous s'appliquent pour les treuils de 50 Hz. À 60 Hz, on doit utiliser, selon la puissance, des sections de câbles plus grandes.

- Déterminer la lettre d'identification (par ex. 'C') dans le Tableau 5. Pour les treuils avec deux niveaux de vitesse, la vitesse maximale du câble est déterminante.
- Dans le Tableau 6 rechercher la section de câble requise pour la lettre d'identification.

Série	Vitesse maximale du câble	Un treuil			Deux treuils		
		Courant triphasé		Courant alternatif	Courant triphasé		Courant alternatif
	m/min	400 V	230 V	230 V	400 V	230 V	230 V
X 300	9	A	B	C	A	D	E
	18	A	C	-	B	E	-
X 400 X 500	9	A	C	E	B	E	F
	18	B	E	-	D	G	-
X 800 T 1000 T 1020 X 1020	9	B	E	-	D	F	-
	18	C	F	-	E	G	-

Série	Vitesse maximale du câble	Un treuil			Deux treuils		
		Courant triphasé		Courant alternatif	Courant triphasé		Courant alternatif
	m/min	400 V	230 V	230 V	400 V	230 V	230 V
X 1230 X 1530	9	B	E	-	D	-	-
	18	C	F	-	F	-	-
X 3050	6	D	F	-	F	G	-
	12	E	F	-	F	G	-

Tableau 5

Lettre d'identification	Section de câble [mm²] pour des longueurs de jusqu'à...			
	20 m	50 m	100 m	200 m
A	1,5	1,5	1,5	1,5
B	1,5	1,5	1,5	2,5
C	1,5	1,5	2,5	4
D	1,5	2,5	4	6
E	1,5	2,5	4	6
F	1,5	4	10	16
G	2,5	6	10	16

Tableau 6



Monter le câble



Risque d'accident grave par fixation déficiente ou dommages du câble !

- Risque d'accident mortel ou de blessures graves.
- Le câble doit pendre librement.
 - Le câble ne doit pas frotter contre des arêtes.

Risque de blessure lié à des piqûres et des coupures !

- Des ruptures de fil dans le câble métallique peuvent faire dépasser les fils. Les fils saillants peuvent couper ou piquer à travers les gants de protection !
- Porter des gants de protection en cuir lourds et appropriés pour les travaux sur le câble métallique.
 - Ne pas faire glisser le câble métallique entre les mains.

Risque d'écrasement et de happement !

- Lors de l'enfillement du câble, il y a risque de happer les doigts ou toute la main avec le câble ou de les écraser sur les poulies et les guidages de câble !
- Ne pas toucher le câble quand le treuil est en service. Ne pas mettre la main dans l'entrée ni la sortie du treuil.
 - Respecter la distance appropriée par rapport au câble.
 - Veiller aux boucles.

ATTENTION !

Montage incorrect !

Dommages possibles sur le treuil (séries X) !

- Le côté sans charge du treuil peut être chargé de maximum 100 kg (par ex. par une précontrainte du câble).

Dommages possibles sur le treuil (séries T) !

- En tirage, la précontrainte du câble ne doit pas être supérieure à 400 kg (cf. Fig. 20 g/h).

Indication :

Si le point de fixation du câble est au-dessus du treuil, il faut fixer le câble avant de le rentrer dans le treuil.

FR

Câble porteur

- Dérouler le câble à l'horizontale pour qu'il n'y ait pas de boucles.
- Rentrer l'extrémité du câble autant que possible dans le treuil. (Série X : tenir compte du sens de la flèche sur le boîtier).
- Activer le treuil dans le sens de traction.
- Pousser le câble jusqu'à ce qu'il s'enfile automatiquement et ressorte par l'ouverture en face.
- Assurer que le câble puisse sortir librement, pour que l'extrémité puisse se détordre.
- Si nécessaire, faire passer l'extrémité par une poulie ou un autre guidage de câble approprié, pour qu'elle ne passe pas sur les arêtes vives et soit endommagée, cf. Fig. 12.
- Déposer correctement l'extrémité du câble pour qu'il n'y ait pas de boucles ni de nœuds.

Installer le disque de butée pour la limitation de course supérieure

Un disque de butée sert de limitation de course supérieure pour le fin de course de secours et le fin de course en option.

Cf. Fig. 14.

Rep.	Désignation
1	Fixation de câble
2	Disque de butée
3	Fin de course (illustration similaire)
4	Câble porteur

La distance entre le fin de course et la fixation du câble ou les pièces saillantes sera choisi de manière à ce que l'appareil soit déconnecté avec sûreté et en temps utile. Nous recommandons une distance minimale (cote a) de ~ 0,5 à 1,5 m.

- Le disque de butée (2) doit être installé sous la fixation (1) du câble porteur (4).

Après le montage

- S'assurer de la disponibilité et effectuer un essai de fonctionnement, cf. '9.4 Mise en service, Essai de fonctionnement' page 14.

9.4 Mise en service

ATTENTION !

Erreur de fixation de la charge sur le câble, sans cosse ou crochet !

Risque de dommage de l'appareil !

La charge ne doit pas être accrochée directement au câble de traction.

- Utiliser une cale de blocage et un câble d'accrochage pour fixer la charge.

Constater la disponibilité

- Contrôler la fixation du câble.
- Contrôler la fixation du treuil, des poulies de renvoi et de la charge.
- Contrôler que le câble rentre verticalement dans le treuil.
- S'assurer que le bouchon (cf. Fig. 16, rep. 3) est correctement fixé sur le moteur.
- Noter les résultats du contrôle dans le journal de bord.

Essai de fonctionnement



DANGER !

Risque de blessure par chute d'objets !

- Ne pas se tenir sous une charge en suspension.
- Si nécessaire, bloquer la zone dangereuse.

ATTENTION !

Longueur de câble incorrecte !

Risque de dommage de l'appareil !

L'assemblage des terminaisons de câble, le point d'accrochage de la charge et l'extrémité du câble ne doivent pas parvenir ni être introduits dans l'appareil et les pièces accessoires !

- Utiliser un câble assez long.
- Si nécessaire : Observer le câble pendant le fonctionnement.

Remarque (treuils sans convertisseur de fréquence) :

Si le treuil ne démarre pas, c'est que deux phases sont éventuellement interverties sur le câble d'alimentation. La protection d'intervention de phases en place bloque la commande.

- Tourner de 180° l'inverseur de phase sur le connecteur, cf. Fig. 21.

Charger le moyen d'élingage

Les essais suivants sont réalisés avec capacité de charge maximale sur la plate-forme et le treuil afin de contrôler le fonctionnement des dispositifs de sécurité.

- L'exploitant et le fabricant de l'installation s'assureront que la charge utile suffit pour surmonter la friction par adhérence dans toutes les situations d'intervention de la descente manuelle de secours (p. ex. sur le câble passant par une poulie) et que la capacité de charge maximale n'est pas dépassée par excès.
- Charger la plate-forme de la capacité de charge maximale.

Si nécessaire, tenir compte des consignes complémentaires de l'exploitant et du fabricant de l'installation.

Vérifier le frein

- Activer le treuil dans le sens de traction jusqu'à ce que le câble soit tendu (pour les treuils à deux vitesses, les activer à basse vitesse).
- Lever ou tirer la charge de ~ 1 m.
- Arrêter le treuil :
Le frein doit maintenir le câble.

Remarque :

Les mouvements précipités et de volée à l'arrêt peuvent avoir pour conséquence l'activation du vibreur par 'surcharge' ou l'activation du témoin lumineux d'avertissement. Il n'y a pas surcharge si le vibreur est désactivé et si le témoin d'avertissement s'éteint dès que le matériel d'élingage est immobilisé en suspension.

- Descendre ou détendre la charge.
- Arrêter le treuil :
Le frein doit maintenir le câble.

Si le frein ne maintient pas le câble :

- Appuyer sur la touche d'arrêt de SECOURS.
- Si la touche d'arrêt de SECOURS ne fonctionne pas, couper l'alimentation électrique du treuil (par exemple débrancher la fiche).
- Contrôler et faire réparer le treuil par un électricien qualifié ou un personnel de maintenance autorisé (cf. '15.1 Personnel de maintenance autorisé' page 19).

Vérifier la fonction d'arrêt de secours

- Faire marcher le treuil dans le sens de traction.
- Appuyer sur la touche d'arrêt de SECOURS.
Le système doit réagir en coupant le courant.
Le frein doit maintenir le câble.

Vérifier le limiteur de course**Vérifier le fin de course supérieur :**

- Activer le fin de course en option en l'accostant :
La montée doit être stoppée.
Le frein doit maintenir le câble.
La descente doit être possible.
- Activer manuellement le fin de course de secours :
Le système doit réagir en coupant le courant.
Le frein doit maintenir le câble.
Les mouvements monte et baisse sont impossibles.

En option : Vérifier le fin de course inférieur :

- Activer le fin de course manuellement ou en l'accostant.
Le treuil doit s'arrêter.
Le frein doit maintenir le câble.
La descente doit être impossible.

Fin de contrôle

- Noter les résultats du contrôle dans le journal de bord.

Régler le limiteur de la force de levage

L'exploitant est tenu de vérifier le limiteur de la force de levage avant la mise en service du treuil (cf. '15.5 Travaux de réglage, Régler le limiteur de la force de levage' page 21).

10 Fonctionnement et service

L'opérateur doit être formé par l'exploitant pour pouvoir utiliser l'appareil, et doit être familiarisé avec son utilisation.

10.1 Contrôles avant de commencer le travail

- Contrôler l'absence d'encrassements tenaces sur le câble, le nettoyer éventuellement.
- S'assurer de la disponibilité, cf. '9.4 Mise en service, Constater la disponibilité' page 14.
- Faire un essai de fonctionnement, cf. '9.4 Mise en service, Essai de fonctionnement' page 14.
- Noter les résultats du contrôle dans le journal de bord.

FR

10.2 Fonctionnement



DANGER !

Risque de blessure par chute d'objets !

La charge ou la plate-forme peut s'accrocher et tomber !

- Observer en permanence la charge, la plate-forme et le câble.
- Si nécessaire, travailler avec un formateur.
- Convenir de signes de la main avant de commencer l'utilisation.
- Si un contact visuel n'est pas possible, utiliser un téléphone portable ou une radio pour la communication.
- Ne pas se tenir sous une charge en suspension.
- Si nécessaire, bloquer la zone dangereuse.

Risque de blessure par chute d'objets !

La charge ou la plate-forme peut s'accrocher et tomber !

- Ne pas se tenir sous une charge en suspension.
- Si nécessaire, bloquer la zone dangereuse.
- Retenir la charge qui s'est accrochée ou coincée et sécuriser.

Risque d'écrasement ! Risque de happement ! Risque de blessure !

Sur le câble du treuil !

- Ne pas toucher le câble quand le treuil est en service. Ne pas mettre la main dans l'entrée ni la sortie du treuil.

Risque d'écrasement ! Risque de blessure !

Sur l'arbre moteur rotatif !

- S'assurer que le bouchon (cf. Fig. 16, rep. 3) est correctement fixé sur le moteur.

Risque de blessure par chute d'objets !

La surcharge peut détruire le treuil ou les dispositifs de sécurité ! Cela peut entraîner des dysfonctionnements !

- Veiller à la charge maximale admissible en chargeant la plate-forme.
- Ne pas dégager les charges bloquées ou coincées en tirant à l'aide du treuil.
- Ne pas tirer les charges en position inclinée avec les treuils pour les monter ou les descendre.
- Éviter une commande pas à pas excessive (donner par ex. au moteur de courtes impulsions).

Risque de blessure par chute d'objets !

La pénétration de l'humidité peut compromettre l'efficacité du frein.

- S'assurer que le bouchon (cf. Fig. 16, rep. 3) est correctement fixé sur le moteur.
- Ne pas nettoyer le câble et les pièces en contact avec le câble avec un nettoyeur à haute pression.

Risque de brûlure !

Les moteurs peuvent chauffer pendant le fonctionnement !

- Ne pas toucher les moteurs.

ATTENTION !

Longueur de câble incorrecte !

Risque de dommage de l'appareil !

L'assemblage des terminaisons de câble, le point d'accrochage de la charge et l'extrémité du câble ne doivent pas parvenir ni être introduits dans l'appareil et les pièces accessoires !

- Utiliser un câble assez long.
- Si nécessaire : Observer le câble pendant le fonctionnement.

Charger



DANGER !

Risque de blessure par chute d'objets !

- Arrimer les charges pour prévenir toute chute.
- Arrimer les charges pour prévenir toute torsion.

- Activer l'interrupteur principal de l'exploitant ou le connecteur CEE.
- Tourner la touche d'arrêt de SECOURS vers la droite, jusqu'à ce qu'elle ressorte:
La commande est en marche.
- Veiller à ne pas dépasser la charge maximale admissible sur la plate-forme de levage pour charges.

Remarque :

Les mouvements précipités et de volée à l'arrêt peuvent avoir pour conséquence l'activation du vibreur par 'surcharge' ou l'activation du témoin lumineux d'avertissement. Il n'y a pas surcharge si le vibreur est désactivé et si le témoin d'avertissement s'éteint dès que le matériel d'élingage est immobilisé en suspension.

Commander le treuil

- Activer le treuil dans le sens de traction jusqu'à ce que le câble soit tendu (pour les treuils à deux vitesses, les activer à basse vitesse).
- Activer le treuil dans le sens de traction jusqu'à ce que la plate-forme soit montée ou tirée.
- Descendre ou détendre la charge.
- Lors de la descente ou du relâchement, observer l'extrémité du câble.
- Arrêter immédiatement en cas de dommages visibles, de boucles ou de nœuds dans le câble.
- Arrêter : Relâcher le dispositif de commande.

Si le câble / le treuil ne s'arrête pas après avoir relâché le dispositif de commande :

- Appuyer sur la touche d'arrêt de SECOURS.

- Si la touche d'arrêt de SECOURS ne fonctionne pas, couper l'alimentation électrique du treuil (par exemple débrancher la fiche).
- Contrôler et faire réparer le treuil par un électricien qualifié ou un personnel de maintenance autorisé (cf. '15.1 Personnel de maintenance autorisé' page 19).

10.3 Descente de secours

En mode manuel, la plate-forme peut être descendue en cas de panne de courant.



Risque de blessure par chute d'objets !

Le mode de fonctionnement manuel du treuil ne sera utilisé qu'en situation d'urgence.

- Après chaque descente de secours, faire contrôler le treuil par TRACTEL Greifzug GmbH ou par un atelier spécialisé en engins de levage, autorisé par TRACTEL Greifzug GmbH.
- Changer les pièces endommagées et usées.

Risque de blessure par chute d'objets !

Le frein centrifuge ne peut pas freiner le poids en cas de surcharge !

- En cas de surcharge, ne pas ouvrir manuellement le frein de service (frein à ressorts).

Le frein centrifuge empêche lors de la descente manuelle, une vitesse trop élevée du câble.

Cf. Fig. 16.

- Dégager le levier (1) de la fixation.
- Introduire le levier (1) par la fente du capot du moteur (2) dans l'étrier du frein.
- Lever le levier et le maintenir dans cette position. La charge descend.
- Pour freiner, relâcher le levier.
- Après utilisation, fixer de nouveau le levier.
- Faire contrôler et réparer le treuil par le constructeur ou un atelier spécialisé en engins de levage.

10.4 Coupure en cas de surcharge

Treuil à limitation mécanique ou électronique de la force de levage :

Sur les treuil, le déclenchement de limitation de la force de levage est réglé ex usine sur la surcharge maximale admissible de 125 % de la capacité de charge maximale.

La déconnexion s'accompagne d'un signal sonore ou de l'activation du témoin lumineux.

L'accrochage de la plate-forme peut aussi entraîner une coupure.

En cas de surcharge :

- Réduire la charge pour qu'il n'y ait plus de surcharge.

En cas d'accrochage :

- Descendre ou relâcher le câble du treuil jusqu'à ce que la charge soit de nouveau suspendue librement.
- Supprimer l'obstacle avant que la charge soit de nouveau soulevée.

11 Abus évident

Les droits à la garantie et de responsabilité en cas de dommages corporels ou matériels sont exclus, s'ils proviennent de l'une ou de plusieurs raisons suivantes :

- Utilisation non conforme de l'appareil, des accessoires ou d'éléments de suspension des charges appartenant à l'appareil.
- Transport de personnes.
- Fonctionnement avec un câble encrassé.
- Fonctionnement sans interrupteur de fin de course (treuil pour le levage).
- Exploitation en atmosphère explosible ou corrosive.
- L'entretien n'a pas été effectué aux intervalles prescrits.
- Nettoyage avec un nettoyeur à haute pression.
- Montage, mise en service, utilisation, entretien et réparation non conformes.
- Exploitation avec un branchement électrique qui ne correspond pas aux spécifications de la présente notice.
- Contrôle insuffisant des pièces de l'appareil ou des accessoires qui sont soumis à l'usure.
- Réparations non conformes, effectuées par une personne non autorisée.
- Utilisation de pièces de rechange qui ne sont pas d'origine.
- Modification des réglages des équipements de sécurité.
- Omission des mesures et contrôles pour la détection des dommages en temps utile.
- Surcharge de l'appareil.
- Elingage direct de la charge sur le câble de traction ou le câble porteur (câble sans cosse ou crochet).
- Accident provoqué par un corps étranger et cas de force majeure.
- Le fabricant n'endosse aucune responsabilité pour les dommages provenant de conversions et de modifications ou de l'utilisation de pièces non originales, sans autorisation écrite explicite de celui-ci.
- Il est interdit d'utiliser des appareils défectueux et endommagés ; il est interdit de rapporter des pièces accessoires et des moyens d'elingage.
- Série X : charger le côté sans charge du treuil de plus de 100 kg (par ex. par une précontrainte du câble).
- Série T : charger le côté sans charge du treuil de plus de 400 kg (par ex. par une précontrainte du câble).

12 Démontage



DANGER !

Risque de blessure lié à des piqûres et des coupures !

Des ruptures de fil dans le câble métallique peuvent faire dépasser les fils. Les fils saillants peuvent couper ou piquer à travers les gants de protection !

- Porter des gants de protection en cuir lourds et appropriés pour les travaux sur le câble métallique.
- Ne pas faire glisser le câble métallique entre les mains.

- Déposer et retirer éventuellement la plate-forme.
- Série X : appuyer sur la touche BAISSÉ et enlever le câble du treuil par le haut.
- Série T : appuyer sur la touche BAISSÉ ou MONTE et retirer le câble du treuil.



DANGER !

Danger de mort par choc électrique !

- Couper le treuil en le débranchant.
- Débrancher.
- Pendant la descente, enrouler le câble couche par couche (1) ou sur tourniquets, afin qu'il n'y ait pas de vrilles (2) rendant les câbles inutilisables. Cf. Fig. 5.
- Desserrer la fixation du treuil.
- Démontez les poulies de renvoi et les points d'accrochage de la charge.

13 Mise hors service

13.1 Interruption du travail

Pendant une pause, le poste de travail sera sécurisé de la manière suivante :

- Déposer la plate-forme ou bloquer la zone sous la charge en suspension.
- Couper l'alimentation en courant et bloquer le treuil contre une utilisation non autorisée.

13.2 Arrêt provisoire

Si le treuil ne doit pas être utilisé provisoirement pendant plusieurs jours ou semaines, mais doit rester en place, il faut le bloquer de la manière suivante :

- Déposer la plate-forme ou bloquer la zone sous la charge en suspension.

- Bloquer éventuellement la plate-forme contre les mouvements de va-et-vient (par ex. la fixer à la construction).
- Monter le câble sans charge pour qu'il soit hors de portée des personnes.
- Couper l'alimentation en courant et bloquer le treuil contre une utilisation non autorisée.

13.3 Mise hors service durable

- Démontez l'appareil et les accessoires, cf. '12 Démontage' page 18.
- Nettoyer l'appareil et emmagasiner.

14 Transport et stockage

14.1 Transport

Consignes générales pour le transport

Prévenir les dommages pendant le transport.

Pour manutentionner les pièces pondéreuses, utiliser un moyen de transport approprié ou faire exécuter le transport par deux personnes.

Treuil

- Sur place, il est possible de porter le treuil par la poignée, cf. Fig. 1. Effectuer éventuellement le transport avec une deuxième personne.
- Les treuils lourds peuvent être transportés à l'aide de moyens de transport auxiliaires fixés à des pitons à boulons taraudés ou des écrous à anneaux.
- Pour le transport dans un véhicule, utiliser la boîte de transport. Amarrer le treuil ou la boîte de transport avec des sangles.

Câbles

- Protéger les câbles contre les rayons directs du soleil, les produits chimiques, les saletés et les endommagements mécaniques.
- Transporter les câbles si possible sur le tourniquet.
- Soulever les câbles enroulés sans tourniquet avec une élingue en ruban et les transporter.
- Réduire le plus possible la charge due au propre poids.

14.2 Stockage

Conditions générales de magasinage :

- local sec (humidité relative de l'air maximale de 75%)
- sans poussière
- température ambiante uniforme

Conditions de magasinage des câbles :

- légèrement graissés
- éviter le contact avec les produits chimiques (p. ex. acide de batterie)
- emmagasiner sans écrasement, pression ou traction mécanique

15 Entretien

15.1 Personnel de maintenance autorisé



Risque de chute ! Risque de blessure par chute d'objets !

Danger de mort suite à des réparations ou des travaux de maintenance non conformes !

Seuls les ateliers autorisés suivants peuvent effectuer les travaux d'entretien et de maintenance nécessitant l'ouverture de l'appareil :

- TRACTEL Greifzug GmbH,
- les ateliers pour engins de levage autorisés par TRACTEL Greifzug GmbH,
- le personnel de maintenance formé et certifié par TRACTEL Greifzug GmbH.

15.2 Contrôles nécessaires

Pour le contrôle de sécurité annuel et les contrôles exceptionnels, il faut un certificat de contrôle écrit. Les contrôles doivent être enregistrés dans le journal de bord fourni.

Avant toute utilisation

Avant chaque utilisation, s'assurer de la conformité du matériel, cf. '9.4 Mise en service' page 14.

Contrôle de sécurité annuel

Le contrôle de sécurité doit être exécuté une fois par an.

Le contrôle de sécurité doit être effectué uniquement par le personnel de maintenance autorisé, cf. '15.1 Personnel de maintenance autorisé' page 19. Suivant les conditions d'utilisation (par ex. un fonctionnement dans un environnement extrêmement encrassé), un contrôle intermédiaire peut être nécessaire.

Si vous utilisez un câble stabilisé contre la giration :

Le disque d'entraînement du treuil peut s'user prématurément en fonction des conditions d'intervention et des conditions atmosphériques (charge en suspension, saletés sur le câble, etc.). Changer le disque d'entraînement s'il est usé.

Nous recommandons un contrôle à l'usine par TRACTEL Greifzug GmbH.

Révision générale

La révision générale aura lieu au plus tard dans les délais suivants (suivant ce qui arrive en premier) :

- 250 heures de service pour les appareils d'une vitesse de 12 ou 18 m/min ;
- 500 heures de service pour les appareils d'une vitesse de 6 ou 9 m/min.
- 10 ans après la fabrication

Si une révision générale a été faite, les délais recommencent du début.

La révision générale du treuil doit être effectuée par TRACTEL Greifzug GmbH ou un atelier pour engins de levage, agréé par TRACTEL Greifzug GmbH.

Veillez vous adresser directement à TRACTEL Greifzug GmbH ou à votre fournisseur.

Contrôle exceptionnel

Après chaque descente de secours en mode manuel, faire contrôler le treuil par TRACTEL Greifzug GmbH ou par un atelier spécialisé en engins de levage, autorisé par TRACTEL Greifzug GmbH (cf. '10.3 Descente de secours', page 17).

Il faut changer les pièces endommagées ou usées.

15.3 Lire le compteur d'heures de service

Le compteur d'heures de service se trouve dans la boîte à bornes du treuil. Le compteur d'heures de service compte les durées comme des heures de fonctionnement pendant lesquelles le treuil est en service (MONTÉE ou DESCENTE).



Danger de mort par choc électrique !

- Couper le treuil en le débranchant.
- Débrancher.
- Ouvrir la boîte à bornes.
- Relever le compteur d'heures de service.
- Noter les heures de service dans le journal de bord.
- Fermer la boîte à bornes.

15.4 Entretien et maintenance

Intervalle	Travail	A faire par
Tous les jours	- Contrôler la fixation du treuil - S'assurer que les câbles ne sont pas durablement encrassés	Opérateur

FR

Intervalle	Travail	A faire par
Toutes les semaines	- Vérifier le câble, cf. page 20	Opérateur
	- Contrôler le câble d'alimentation et le câble de commande	
Toutes les 50 heures	- Graisser l'engrenage extérieur à poulie d'adhérence (uniquement pour la série X 3050), cf. page 21	Opérateur
1 x par an	- Contrôle de sécurité du treuil	Personnel de maintenance autorisé
250 ¹⁾ / 500 ²⁾ heures de service / après 10 ans ³⁾	- Révision générale du treuil	TRACTEL Greifzug GmbH ou un atelier pour engins de levage, agréé par TRACTEL Greifzug GmbH
Si nécessaire	cf. page 20 : - Nettoyer le câble - Graisser le câble - Changer le câble	Personne désignée et instruite par l'exploitant
	- Changer le câble de raccordement	

1) Appareils d'une vitesse de câble de 12 ou 18 m/min

2) Appareils d'une vitesse de câble de 6 ou 9 m/min

3) Suivant ce qui arrive en premier

Câble



Risque de blessure lié à des piqûres et des coupures !

Des ruptures de fil dans le câble métallique peuvent faire dépasser les fils. Les fils saillants peuvent couper ou piquer à travers les gants de protection !

- Porter des gants de protection en cuir lourds et appropriés pour les travaux sur le câble métallique.
- Ne pas faire glisser le câble métallique entre les mains.

Nettoyage

Brosser à sec les câbles encrassés, si nécessaire. Regraisser éventuellement.

Dans un environnement très encrassé, utiliser des brosses pour nettoyer le câble sur le treuil.

Graissage



Danger de chute et danger lié à la chute d'objets, à des câbles glissants ou endommagés ou à la défaillance du frein et aux dysfonctionnements !

Danger de mort ou de blessures graves !

- Ne pas lubrifier les câbles avec des lubrifiants à base de disulfure (p. ex. Molycote®) -.
- Utiliser de la graisse ou de l'huile multifonction.
- Il est interdit de nettoyer le câble ou les pièces au contact du câble avec un nettoyeur à haute pression. La pénétration de l'humidité provoque des dysfonctionnements et endommage le moteur, le frein et l'équipement électrique.
- La saleté entraîne une usure prématurée du câble et détruit le câble, le matériel d'élingage et le treuil.

Remplacement

Remplacer immédiatement les câbles quand le moment de la mise au rebut est atteint conformément au Tableau 7 (selon les normes ISO 4309 et DIN 1520 , feuille 2) ou que les câbles présentent des défauts typiques, cf. Fig. 13. Détermination du diamètre de câble : Cf. Fig. 9.

Diamètre nominal du câble	Construction du câble			Diamètre minimal admissible de câble
	Antigratoire	5 x 19	5 x 26	
[mm]	Nombre de ruptures de câble visibles dans les torons extérieurs, sur une longueur de 30 x le diamètre nominal du câble.			[mm]
6		8		5,9
8	10	8	11	7,5
9	10	8		8,5
10	8		11	9,3
14	10		11	13,1

Tableau 7

Réalisation : Cf. '12 Démontage' page 18 et '9.3 Montage' page 11.

Renouveler l'extrémité du câble

Envoyer le câble à TRACTEL Greifzug GmbH ou à un atelier autorisé TRACTEL Greifzug GmbH et faire remplacer l'extrémité du câble.

Câbles d'alimentation et de commande

Si l'isolement ou les raccords des câbles sont endommagés, il faut faire changer les câbles par un électricien qualifié.

Treuil



Danger de chute et danger lié à la chute d'objets, à des câbles glissants ou endommagés ou à la défaillance du frein et aux dysfonctionnements !

Danger de mort ou de blessures graves !

- Il est interdit de nettoyer le câble ou les pièces au contact du câble avec un nettoyeur à haute pression ! La pénétration de l'humidité provoque des dysfonctionnements et endommage le moteur, le frein et l'équipement électrique.
- La saleté entraîne une usure prématurée du câble et détruit le câble, le matériel d'élingage et le treuil.

Cf. Manuel d'entretien à part destiné au personnel de maintenance formé.

Moteur, engrenage et frein

Le moteur, l'engrenage et le frein sont sans maintenance jusqu'à occurrence de la durée de fonctionnement admissible (révision générale).

- En cas d'encrassement important, nettoyer l'extérieur.
- Veiller à ce le frein soit exempt d'huile et de graisse !

Graisser l'engrenage extérieur à poulie d'adhérence (série X 3050)

Spécification de la graisse, cf. '4.4 Consommables' page 8.

- Appliquer la pompe à graisse sur les graisseurs (1) cf. Fig. 15.
- Graisser les graisseurs avec 3 à 5 courses (env. 5 cm³).
- Faire marcher le treuil pendant env. deux secondes dans le sens DESCENTE ou MONTÉE.
- Graisser les graisseurs avec 3 à 5 courses (env. 5 cm³).

15.5 Travaux de réglage

Régler le limiteur de la force de levage



Risque de blessure par chute d'objets !

Danger de mort ou de blessures graves !

- Le réglage de la limitation de la force de levage doit être effectué uniquement par le personnel autorisé du fabricant de l'installation ou par TRACTEL Greifzug GmbH.
- Respecter les indications de la présente notice.
- Pour les modèles spéciaux, respecter les indications de la spécification de commande.

Les treuils dont la capacité de charge maximale se situe à partir de 1000 kg sont équipés d'une limitation mécanique de la force de levage. Les treuils d'une capacité de charge atteignant jusqu'à 1000 kg peuvent être équipés en option d'une limitation électronique ou mécanique de la force de levage.

Les treuils avec limitation mécanique de la force de levage en version standard ne doivent pas être réglés sur une surcharge inférieure à 90 % de la capacité de charge maximale du treuil.

Sur les treuils, le déclenchement de limitation de la force de levage est réglé ex usine sur la surcharge maximale admissible de 125 % de la capacité de charge maximale.

Pour régler la limitation de la force de levage, soulever la surcharge maximale.

Surcharge = capacité de charge maximale + 25 %

Régler la limitation mécanique de la force de levage

Série X 300 à X 1530

Cf. Fig. 17.

- Charger la plate-forme de la surcharge calculée.
- Lever la charge.
La limitation de la force de levage doit réagir et la montée doit être arrêtée dans les premiers 10 cm.

Si la limitation de la force de levage ne réagit pas :

- Enlever l'obturateur (1).
- Desserrer le boulon en laiton (2).
- Mettre la clé à six pans creux, longueur de 8 mm, 150 mm, dans le boulon de réglage (3).
- Serrer le boulon de réglage (3) jusqu'à ce que la limitation de la force de levage réagisse.
- Déposer la surcharge au sol.
- Relever la surcharge.
La limitation de la force de levage doit réagir. Sinon, répéter l'opération.

Lorsque la plate-forme est chargée avec la capacité de charge maximale, la limitation de la force de levage ne doit pas réagir.

- Charger la plate-forme de la capacité de charge maximale.

- Lever jusqu'à ce que la plate-forme soit suspendue librement.
La limitation de la force de levage ne doit pas réagir lors du levage.

Si la limitation de la force de levage réagit :

- Déposer la charge au sol.
- Mettre la clé à six pans creux, longueur de 8 mm, 150 mm, dans le boulon de réglage (3).
- Serrer le boulon de réglage (3) en une demi-rotation.
- Lever la charge de nouveau.
La limitation de la force de levage ne doit pas réagir lors du levage.

Lorsque le boulon de réglage (3) est réglé, répéter finalement l'essai avec une surcharge maximale.

- Charger la plate-forme de la surcharge calculée.
- Lever la charge.
La limitation de la force de levage doit réagir et la montée doit être arrêtée dans les premiers 10 cm.
- Serrer le boulon en laiton (2).
- Placer l'obturateur (1) et bloquer avec une cire à cacheter rouge.

Série X 3050

Cf. Fig. 18.

- Charger la plate-forme de la surcharge calculée.
- Lever la charge.
La limitation de la force de levage doit réagir et la montée doit être arrêtée dans les premiers 10 cm.

Si la limitation de la force de levage ne réagit pas :

- Enlever l'obturateur (1).
- Desserrer le contre-écrou (5) avec une clé à douille.
- Mettre la clé à six pans creux, longueur de 8 mm, 150 mm, dans le boulon de réglage (3).
- Serrer le vis de réglage (3) jusqu'à ce que la limitation de la force de levage réagisse.
- Déposer la surcharge au sol.
- Relever la surcharge.
La limitation de la force de levage doit réagir. Sinon, répéter l'opération.

Lorsque la plate-forme est chargée avec la capacité de charge maximale, la limitation de la force de levage ne doit pas réagir.

- Charger la plate-forme de la capacité de charge maximale.
- Lever jusqu'à ce que la plate-forme soit suspendue librement.
La limitation de la force de levage ne doit pas réagir lors du levage.

Si la limitation de la force de levage réagit :

- Déposer la charge au sol.

- Mettre la clé à six pans creux, longueur de 8 mm, 150 mm, dans le boulon de réglage (3).
- Serrer le boulon de réglage (3) en une demi-rotation.
- Lever la charge de nouveau.

La limitation de la force de levage ne doit pas réagir lors du levage.

Lorsque le boulon de réglage (3) est réglé, répéter finalement l'essai avec une surcharge maximale.

- Charger la plate-forme de la surcharge calculée.
- Lever la charge.

La limitation de la force de levage doit réagir et la montée doit être arrêtée dans les premiers 10 cm.

- Serrer le contre-écrou (5) avec une clé à douille.
- Placer l'obturateur (1) et bloquer avec une cire à cacheter rouge.

Régler la limitation électronique de la force de levage, en option



DANGER !

Danger de mort par choc électrique !

- Couper le treuil en retirant la fiche avant d'ouvrir le coffret de distribution.
- Ne toucher à aucune pièce sous tension pendant les travaux de réglage.
- Si nécessaire, couvrir les composants sous tension.

Risque de blessure par chute d'objets !

Danger de mort ou de blessures graves !

- Le réglage de la limitation de la force de levage doit être effectué uniquement par le personnel autorisé du fabricant de l'installation ou par TRACTEL Greifzug GmbH.
- Respecter les indications de la présente notice.

La limitation électronique de la force de levage réagit à la consommation de courant du moteur. Pour les treuils avec deux niveaux de vitesse, la vitesse maximale du câble est déterminante. Le réglage doit être réalisé pour les deux limitations de la force de levage et vitesses. La surcharge est décelée lors du levage.

Le réglage sur une valeur limite plus faible, p. ex. à cause d'une faible capacité de charge des points d'ancrage, ne doit être effectué que par un personnel de maintenance autorisé.

Préréglage

Cf. Fig. 19.

- Enlever la cire à cacheter sur les régulateurs (1) et (2).
- Tourner le régulateur supérieur (1) pour le courant nominal jusqu'à la butée vers la droite.
- Tourner le régulateur inférieur (2) pour le démarrage surveillé jusqu'à la butée vers la droite.

Régler la surcharge

- Charger la plate-forme de la surcharge calculée.
- Tourner le régulateur supérieur (1) vers la gauche pendant le levage de la surcharge, jusqu'à ce que le treuil s'arrête.
- Descendre la surcharge jusqu'à ce que le câble soit allégé.
- Lever à nouveau la surcharge : le treuil doit s'arrêter dès qu'il est sous charge.

Régler le pontage de démarrage

- Charger la plate-forme de la charge nominale.
- Lever la charge nominale du sol.
- Tourner le régulateur inférieur (2) jusqu'à la butée vers la gauche.
- Appuyer sur la touche MONTE.
Le treuil doit s'arrêter immédiatement.

Indication :

Après chaque arrêt du treuil, appuyer un instant sur la touche BAISSÉ pendant le réglage pour que la montée soit à nouveau libérée.

- Tourner le régulateur inférieur (2) légèrement vers la droite.
- Appuyer sur la touche MONTE.
- Répéter l'opération jusqu'à pouvoir lever la charge nominale.
- Bloquer les deux régulateurs avec une cire à cacheter.

15.6 Commandes des pièces de rechange

Vous pouvez obtenir les listes des pièces de rechange par votre fournisseur ou directement par les soins de TRACTEL Greifzug GmbH.

Vous trouverez les indications nécessaires pour la commande sur les plaques signalétiques des différents composants, cf. 'Plaques signalétiques et panneaux d'avertissement / Limites de l'utilisation' page 7.

Les indications nécessaires sont mentionnées p. ex. :

Transmission par câble :	N° de réf., type tirak™/type Tractel®, diamètre de câble, n° de fabrication
Moteur :	N° de réf., type de moteur
Frein :	N° de réf., type et tension de bobine du frein
Commande électrique :	Numéro du schéma de circuits

16 Évacuation et protection de l'environnement

L'appareil a été fabriqué à partir de matériaux recyclables. Lors de la mise au rebut, l'appareil doit être éliminé dans une déchèterie adaptée. Dans l'Union Européenne, il faut appliquer la directive 2008/98/CE relative aux déchets.

Conformément à la directive 2002/96/CE, en Allemagne, loi sur les appareils électriques et électroniques (ElektroG), le fabricant est obligé de reprendre et d'éliminer les composants électriques et électroniques. Les composants concernés sont indiqués par le symbole suivant sur la plaque signalétique :



17 Recherche de la cause des défauts/Dépannages



DANGER !

Risque de blessure par chute d'objets !

La plate-forme peut basculer si elle s'accroche !

- Arrêter immédiatement le treuil.
- Rechercher la cause et supprimer le défaut.

FR

Défaut	
Cause	Dépannage
Le moteur démarre mais le câble ne bouge pas.	
Bourrage de câble dans le treuil dû à un câble endommagé ou un mauvais câble.	<ul style="list-style-type: none"> - Retenir la charge (p. ex. avec cale de blocage ou palan à levier). - Couper le câble avant et après le treuil.
Obstacle au déroulement du câble.	<ul style="list-style-type: none"> - Envoyer le treuil à la réparation. - Si disponible, installer un treuil de rechange avec un câble neuf.
La charge s'est accrochée ou est bloquée.	<ul style="list-style-type: none"> - Dégager et détacher avec précaution la charge. - Contrôler la sécurité de fonctionnement du câble, du matériel d'élingage et de la plate-forme.
Treuil sans fonction.	
La commande n'est pas activée.	<ul style="list-style-type: none"> - Activer la commande.
Touche d'arrêt DE SECOURS enfoncée.	<ul style="list-style-type: none"> - Déverrouiller la touche d'arrêt DE SECOURS.
L'interrupteur de fin de course d'URGENCE a été accosté.	<ul style="list-style-type: none"> - En fonctionnement de secours, descendre jusqu'à ce que l'interrupteur de fin de course soit libéré.
Défaut du fin de course d'URGENCE.	<ul style="list-style-type: none"> - Faire contrôler le fin de course par un électricien qualifié ou le remplacer.
L'alimentation électrique est coupée.	<ul style="list-style-type: none"> - Rechercher la cause et supprimer le défaut.
Le câble d'alimentation entre le branchement secteur et la commande est coupé.	<ul style="list-style-type: none"> - Contrôler et réparer si nécessaire tous les câbles et raccords.
Alimentation électrique mal raccordée ou il manque le neutre.	<ul style="list-style-type: none"> - Faire corriger le raccordement par un électricien qualifié. - Si nécessaire, faire faire les modifications par le constructeur.
Coupure de sécurité après surchauffe liée à un manque de refroidissement du moteur.	<ul style="list-style-type: none"> - Nettoyer le capot du moteur.
Coupure de sécurité en cas de surchauffe à cause d'une tension trop élevée ou trop basse.	<ul style="list-style-type: none"> - Faire mesurer sous charge la tension et la consommation de courant du moteur par un électricien qualifié. - Si nécessaire, augmenter la section des conducteurs.
Deux phases sont interverties dans le câble d'alimentation. La protection d'intervention de phases en place bloque la commande.	<ul style="list-style-type: none"> - Tourner de 180° l'inverseur de phase sur le connecteur, cf. Fig. 21.
Le frein ne s'ouvre pas (pas de dé clic à l'activation et à la désactivation) parce que le câble d'alimentation, la bobine de frein ou le redresseur sont défectueux.	<ul style="list-style-type: none"> - Faire contrôler et réparer ou changer si nécessaire le câble d'alimentation, la bobine de frein ou le redresseur par un électricien qualifié.
Le frein ne s'ouvre pas (pas de dé clic à l'activation et à la désactivation) parce que le rotor du frein est usé.	<ul style="list-style-type: none"> - Donner le treuil à réparer au constructeur ou à un atelier spécialisé en engins de levage.

Défaut	
Cause	Dépannage
La charge en suspension descend lentement en perte de vitesse.	
Défaut ou encrassement du frein de service (frein à ressorts) sur le treuil.	<ul style="list-style-type: none"> – Décrocher la charge. – Faire réparer le treuil par le constructeur ou un atelier spécialisé en engins de levage.
La charge n'est pas montée/tirée, bien que le câble peut être descendu/relâché.	
La charge s'est accrochée à un obstacle.	<ul style="list-style-type: none"> – Baisser avec précaution la charge et supprimer l'obstacle. – Contrôler la sécurité de fonctionnement du câble, du matériel d'élingage et de la plate-forme.
Le câble est sorti complètement du treuil, sans charge après la descente ou le relâchement.	<ul style="list-style-type: none"> – Faire rentrer de nouveau le câble. – Rechercher la cause. – Eviter que cela se renouvelle, p. ex. en utilisant un câble plus long.
Défaut du circuit de commande MONTE du treuil.	<ul style="list-style-type: none"> – Contrôler et faire réparer si nécessaire les raccordements, le câblage et les contacteurs par un électricien qualifié.
Fin de course MONTE défectueux ou démarré.	<ul style="list-style-type: none"> – Descendre jusqu'à ce que le fin de course soit dégagé. – Contrôler le fin de course, le remplacer, si nécessaire.
Puissance du moteur insuffisante suite à un défaut du condensateur de démarrage (moteur monophasé).	<ul style="list-style-type: none"> – Faire contrôler et changer si nécessaire le condensateur de démarrage par un électricien qualifié.
Contacteur centrifuge défectueux (surcharge du condensateur de démarrage, moteur monophasé).	<ul style="list-style-type: none"> – Mesurer le courant de l'enroulement auxiliaire dans la boîte à bornes. Réparation uniquement par TRACTEL Greifzug GmbH.
Usure du disque d'entraînement	<ul style="list-style-type: none"> – Changer le treuil aussi rapidement que possible et le faire contrôler/réparer par TRACTEL Greifzug GmbH ou un atelier agréé pour engins de levage.
Le moteur ronronne fortement ou la transmission à câble grince, bien que la MONTÉE et la DESCENTE sont possibles.	
Surchauffe à cause du manque de refroidissement du moteur.	<ul style="list-style-type: none"> – Nettoyer le capot du moteur.
Surchauffe à cause d'une tension trop élevée ou trop basse.	<ul style="list-style-type: none"> – Faire mesurer sous charge la tension et la consommation de courant du moteur par un électricien qualifié. – Si nécessaire, augmenter la section des conducteurs.
ATTENTION ! Saletés dans la transmission à câble. Le câble ou la transmission à câble peuvent être endommagés.	<ul style="list-style-type: none"> – Changer le treuil aussi rapidement que possible et le faire contrôler/réparer par TRACTEL Greifzug GmbH ou un atelier agréé pour engins de levage.
La charge n'est pas descendue/relâchée, bien que le câble puisse être monté/tiré.	
La charge a heurté un obstacle ou s'est accrochée à un obstacle.	<ul style="list-style-type: none"> – Monter avec précaution la charge et supprimer l'obstacle. – Contrôler la sécurité de fonctionnement du câble, du matériel d'élingage et de la plate-forme.
Défaut du circuit de commande DESCENTE du treuil.	<ul style="list-style-type: none"> – Descente DE SECOURS en desserrant le frein, cf. '10.3 Descente de secours' page 17. – Contrôler et faire réparer si nécessaire les raccordements, le câblage et les contacteurs par un électricien qualifié.

18 Déclaration de conformité CE (extrait)



Le fabricant déclare par la présente

TRACTEL Greifzug GmbH
Scheidtbachstraße 19–21 51469 Bergisch Gladbach

représenté par

Dipl.-Ing. Denis Padron
directeur général

DÉCLARATION DE CONFORMITÉ

que l'équipement désigné est conforme aux règles techniques de sécurité qui lui sont applicables à la date de mise sur le marché de l'UNION EUROPÉENNE par le fabricant.

NORMES ET DIRECTIVES APPLIQUÉES :

2006/42/EC ; 2006/95/EC ; 2004/108/EC
EN 14492-1 ; EN ISO 12100-1 ; EN ISO 12100-2 ; EN ISO 14121-1 ; EN ISO 13849-1 ; EN 60204

DÉSIGNATION

Treuil à défilement continu

APPLICATION

Transport de matériaux

MODÈLE

X 300, X 400, X 500, X 800, X 1020, X 1230, X 1530, X 3050, T 1000, T 1020

NUMÉRO DE SÉRIE

Année de construction

à partir de janvier 2010

Responsable de la documentation :

Dipl.-Ing. Denis Pradon, directeur général, tél. : +49 (0) 2202 1004 0

Bergisch Gladbach, date

FR

Inhoudsopgave

1 Algemeen	2	14 Transport en opslag	18
1.1 Toegepaste begrippen en afkortingen	2	14.1 Transport	18
1.2 Toegepaste symbolen.....	3	14.2 Opslag	19
2 Veiligheid	3	15 Onderhoud/service	19
2.1 Algemene veiligheidsaanwijzingen	3	15.1 Geautoriseerd onderhoudspersoneel	19
2.2 Aanwijzingen voor de exploitant	4	15.2 Noodzakelijke controles.....	19
2.3 Verantwoordelijkheid van de installatiefabrikant	5	15.3 Aflezen van de bedrijfsurenteller	19
3 Overzicht	5	15.4 Service en onderhoud	20
3.1 Leveringstoestand.....	5	15.5 Instelwerkzaamheden.....	21
3.2 Omvang van de levering	5	15.6 Reserveonderdelen bestellen.....	23
3.3 Beschrijving van het apparaat.....	5	16 Afvalverwijdering en milieubescherming	23
4 Beschrijving	7	17 Opsporen van fouten/Verhelpen van storingen	24
4.1 Functiebeschrijving	7	18 EG-Conformiteitverklaring (uittreksel)	26
4.2 Componenten/bouwgroepen.....	8		
4.3 Technische gegevens	8		
4.4 Bedrijfsmiddelen	8		
4.5 Elektrisch schema.....	8		
4.6 Bedieningseenheid	8		
4.7 Veiligheidsvoorzieningen	9		
4.8 Bevestiging	9		
4.9 Belastinglimieten	10		
5 Kabels	10		
6 Optionele toebehoren	10		
7 Opties	10		
8 Noodzakelijke toebehoren	10		
9 Installatie en inbedrijfstelling	10		
9.1 Richtlijnen en normen	10		
9.2 Controles voor aanvang van de montage	11		
9.3 Montage	11		
9.4 Inbedrijfstelling	14		
10 Bediening/werking	16		
10.1 Controles voor aanvang van het werk	16		
10.2 Bedrijf.....	16		
10.3 Noodafdeling	17		
10.4 Uitschakeling bij overbelasting.....	17		
11 Te voorzien misbruik	17		
12 Demontage	18		
13 Buiten bedrijf stellen	18		
13.1 Werkonderbreking.....	18		
13.2 Tijdelijk stilzetten.....	18		
13.3 Permanent buiten werking stellen.....	18		



GEVAAR!

Gevaar voor letsel door vallende voorwerpen, foutieve functies, verkeerd gebruik en foutieve bediening!

Wanneer u deze handleiding niet in acht neemt:
kan dit ernstig letsel en de dood tot gevolg hebben
kan er schade aan het apparaat ontstaan.

- Lees deze handleiding zorgvuldig door voordat u het apparaat monteert en in bedrijf stelt.
- Neem ook de aanwijzingen en gedragsregels in acht die noodzakelijk zijn voor een veilige werking van het apparaat.

1 Algemeen

Auteursrecht

De auteursrechten over deze handleiding berusten bij de TRACTEL Greifzug GmbH.

Deze handleiding is alleen bestemd voor de exploitant van de hierin beschreven installaties en voor diens personeel. Deze handleiding moet voor elke gebruiker/bedienende persoon toegankelijk zijn. Verdere exemplaren kunnen aangevraagd worden.

Zonder toestemming van de TRACTEL Greifzug GmbH mogen geen bestanddelen van deze handleiding worden vermenigvuldigd, verspreid of op andere wijze openbaar worden gemaakt.

Overtredingen kunnen strafrechtelijk worden vervolgd.

Adres van de producent

Verkoop- en servicelocatie:

TRACTEL Greifzug GmbH

Scheidtbachstraße 19-21
51469 Bergisch Gladbach, Duitsland

Postfach 20 04 40
51434 Bergisch Gladbach, Duitsland

Telefoon: +49 (0) 22 02 / 10 04-0
Telefax: +49 (0) 22 02 / 10 04-50 + 70

De TRACTEL Greifzug GmbH behoudt zich het recht voor in het kader van de productverbetering alle mogelijke wijzigingen uit te voeren aan het product dat in deze handleiding wordt beschreven.

Klanten kunnen via de ondernemingen van de TRACTEL-groep en de door de TRACTEL-groep geautoriseerde instandhouding-medewerkers op aanvraag documentatie over andere TRACTEL-producten ontvangen: hefwerktuig en de bijbehorende toebehoren, vast geïnstalleerde of mobiele werkplatforms voor het bewegen langs de binnen- en buitenkant van gebouwen, aanslagmiddelen, opvangvoorzieningen voor lasten, persoonlijke beschermuitrusting tegen neerstorten, trekkracht- en kabelspanningsmeters etc.. Bezoek hiervoor ook de TRACTEL-website www.tractel.com.

De TRACTEL-groep en het dealernetwerk bieden u desgewenst aanvullende klanten- en reparatieservice.

1.1 Toegepaste begrippen en afkortingen

In deze handleiding hebben de onderstaande begrippen de volgende betekenissen:

Installatie / machine

In de zin van de machinerichtlijn 2006/42/EG gelden lastopnamemiddelen, hijswerktuigen, veiligheidscomponenten en aanslagmiddelen voor hijswerkzaamheden als machine. Als installa-

tie of ook machine wordt de inrichting aangeduid, waarin de hier beschreven machine ingebouwd wordt.

Installatiefabrikant

De installatiefabrikant (installatieplanner, installatiefabrikant, montagebedrijf) is diegene die de installatie en alle noodzakelijke componenten op de markt brengt. De installatiefabrikant is verantwoordelijk voor het ontwerp, de vervaardiging, de montage en het in het verkeer brengen.

Aanslagmiddelen

Aanslagmiddelen zijn niet tot het hijswerktuig behorende inrichtingen die een verbinding tussen het draagmiddel en de last of tussen het draagmiddel en het lastopnamemiddel tot stand brengen (bijv. kabelstroppen, stropen, schakels, wartelhaken, ooghaken, omkeerrollen).

Aanslagpunt, ophangpunt

Onderdeel van de ophangconstructie aan gebouwszijde, waaraan de draagkabel, de veiligheidskabel, omkeerrollen of het hijswerktuig onafhankelijk van elkaar aangeslagen worden.

Toezichthouder

De toezichthouder (supervisor) wordt door de exploitant benoemd en is op de locatie verantwoordelijk voor de arbeidsveiligheid.

Operator

Persoon die door de exploitant in de bediening van het product wordt geïnstrueerd en met het gebruik ervan wordt belast.

Gebruiker

De gebruiker is verantwoordelijk voor de reglementaire werking van de installatie/van het apparaat en voor de naleving van de onderhoudsintervallen en het uitvoeren van reparatiewerkzaamheden.

Bedrijfsuren

De bedrijfsuren zijn de som van de effectieve bedrijfstijden van de motor van een lier.

Vakkundige elektromonteur

Elektromonteur is diegene die over voldoende kennis beschikt of door een opleiding de noodzakelijke kwalificaties heeft verkregen om risico's te herkennen en de gevaren te vermijden die van elektriciteit kunnen uitgaan.

Totale aangehangen last

De totale aangehangen last is de op de ophanging inwerkende statische last, die samengesteld is uit de nuttige last, het eigen gewicht van het lastopnamemiddel, de extra uitrusting, de staalkabels en de stuur- en aansluitkabels.

Hijswerktuig / machine voor het hijsen van lasten

Apparaat of inrichting bestaand uit een apparaat met draagmiddelen voor het hijsen of verplaatsen van lasten (bijv. kabellier of kabellier met kabel en wartelhaak).

Klant / eindklant

De klant of eindklant is de klant van de installatiefabrikant en kan gelijktijdig ook de exploitant zijn.

Lastopnamemiddelen (LAM)

Een niet tot het hijswerktuig behorende component of uitrusting, die het mogelijk maakt om de last aan te slaan en tussen machine en last of aan de last zelf aangebracht wordt of ertoe bestemd

is om een integraal bestanddeel van de last te worden. Als lastopnamemiddelen gelden ook aanslagmiddelen en hun bestanddelen.

Materiaalopnamemiddel (MAM)

Lastopnamemiddel voor materiaal.

Maximale bedrijfslast

De maximale bedrijfslast geeft aan met welke last het product maximaal belast mag worden. De maximale bedrijfslast staat vermeld op de typeplaat.

Nuttige last

De nuttige last is de last die door het product geheven, getrokken of gehouden kan worden. Door inscheren volgens het takelprincipe kan de nuttige last hoger zijn dan de maximale bedrijfslast. De maximale bedrijfslast mag door het inscheren niet worden overschreden.

Deskundige persoon

Een als zodanig benoemde en adequaat opgeleide persoon die door zijn kennis en praktijkervaring in staat is om met behulp van de relevante instructies en aanwijzingen de noodzakelijke werkzaamheden veilig uit te voeren.

Met kabels in aanraking komende producten

Met kabels in aanraking komende producten zijn lieren, omkeerrollen, opvanginrichtingen en andere producten waar de kabel doorheen loopt of waarmee de kabels in contact staan.

Draagmiddel

Een draagmiddel is een met het hijswerktuig verbonden inrichting voor de opname van lastopnamemiddelen, aanslagmiddelen of lasten (bijv. een met de draagkabel vast verbonden haak).

Onderhoudspersoneel

Een door de TRACTEL Greifzug GmbH voor het onderhoud aangewezen en geschoolde persoon met geldig certificaat, die in staat is om met de benodigde instructies en aanwijzingen de noodzakelijke onderhouds-, controle- en reparatiewerkzaamheden veilig uit te voeren.

1.2 Toegepaste symbolen



GEVAAR!

Aard en bron van het gevaar.

Gevolg: bijv. dodelijk of ernstig lichamenlijk letsel.

- Maatregelen waarmee gevaar wordt voorkomen.

OPGELET!

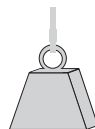
Aard en bron van het gevaar.

Gevolg: bijv. materiële schade of milieuschade.

- Maatregelen waarmee schade wordt vermeden.

Aanwijzing:

Dit symbool kenmerkt geen veiligheidsaanwijzingen maar levert informatie voor een beter begrip van de processen.



Met dit symbool zijn apparaten voor het materiaaltransport gemarkeerd.



Met dit symbool zijn apparaten voor het personen- en materiaaltransport gemarkeerd.

2 Veiligheid

2.1 Algemene veiligheidsaanwijzingen



GEVAAR!

Risico op ernstige ongevallen door foutieve werking, verkeerd gebruik en foutieve bediening!

- Neem de volgende gegevens in acht zodat de veilige en correcte werking en inzet van het apparaat gewaarborgd zijn!
- Neem ook de speciale veiligheidsaanwijzingen voor alle uit te voeren werkzaamheden in de afzonderlijke hoofdstukken van deze handleiding in acht.
- Foutieve of beschadigde producten, accessoires en aanslagmiddelen mogen niet worden gebruikt.
- Alleen de voorgeschreven en voor het gebruik toegelaten originele kabels mogen worden gebruikt. Neem de informatie over het kabeltype en de kabeldiameter in acht.
- Kabels, met kabels in aanraking komende producten en aanslagmiddelen mogen niet met sterk verontreinigende bouwmaterialen, zoals bijv. beton, epoxyhars of andere hechtende materialen worden verontreinigd. Bescherm de producten tegen verontreinigingen! In een sterk vervuilde omgeving hulpborstels voor de kabelreiniging gebruiken.
- Bij zandstraal- of verfwerkzaamheden in de nabijheid van de lier de lieren afdekken zodat de werking van de rem niet wordt belemmerd.
- Let op de slijtagegrens van de kabel, zie '15.4 Service en onderhoud, Kabel' op pagina 20.
- Regelmatig reinigen.
- Alle schroefbevestigingen op vastzitten controleren.
- Laat beschadigde delen vervangen of deskundig repareren. Reparaties mogen alleen door een vakkundige werkplaats of door de TRACTEL Greifzug GmbH worden verricht.
- Het reinigen van de kabel of van kabelgeleidende producten met een hogedrukreiniger is verboden! Binnendringend vocht leidt tot verstoorde werking en schade aan mechanische inrichtingen (bijv. remmen, kogellagers) en aan de elektrische uitrusting.

NL

- Vuil aan de kabel leidt tot voortijdige slijtage of tot het kapotgaan van kabel, aanslagmiddelen en met de kabel in aanraking komende producten.
- De kabel niet met disulfidehoudende smeermiddelen (bijv. Molycote®) smeren.
- Neem de veiligheidsdatasheets van de producenten van de smeermiddelen in acht.
- Let op de aanwijzingen voor transport, opslag en reiniging vanaf pagina 18.
- Bevestigingsmiddelen moeten overeenstemmen met de gegevens in deze handleiding resp. met de geldige normen/richtlijnen.
- De maximale bedrijfslast mag niet worden overschreden.
- De motor kan heet worden tijdens het bedrijf. Raak de motoren niet aan.
- Gebruik zonder stop op de motor (positie 3, zie afb. 16) is verboden. Binnendringend vocht kan de werking van de rem belemmeren. Bij de vrij liggende motoras bestaat een risico op letsel.
- Bij onweer en storm is gebruik in de buitenlucht niet toegestaan. Er bestaat gevaar voor blikseminslag of kantelen van de last door windstoten.
- Reeds bij de werkplanning moet rekening worden gehouden met de plaatselijke weersomstandigheden. Vraag in geval van twijfel vóór aanvang van het werk de weers- en windverwachtingen op bij een van weerdiensten.
- Reparatie- en onderhoudswerkzaamheden mogen alleen door geautoriseerd onderhoudspersoneel worden uitgevoerd, zie '15.1 Geautoriseerd onderhoudspersoneel' op pagina 19.
- Zelfborgende moeren mogen niet opnieuw worden gebruikt en moeten vervangen worden.
- Montage en bediening mogen alleen door geschoold en geïnstrueerd personeel plaatsvinden met inachtneming van deze handleiding.
- Particuliere gebruikers zijn verplicht zich door de TRACTEL Greifzug GmbH in de montage, bediening en het onderhoud van het apparaat te laten scholen.
- Werkzaamheden aan elektrische uitrustingen mogen alleen door een vakkundige elektromonteur of door geïnstrueerde personen onder toezicht van een vakkundige elektromonteur volgens de elektrotechnische normen, voorschriften en regels worden uitgevoerd.
- Om elektrische risico's te vermijden, moet de elektrische aansluiting zoals onder '9.3 Montage, Elektrische aansluiting' op pagina 12 beschreven uitgevoerd worden.
- Begeef u niet onder zwevende lasten. Indien nodig de gevaarzone afschermen. Vastgehaakte of klemzittende lasten opvangen en beveiligen.
- Tijdens de werking van de lier niet de kabel vastpakken.
- Tijdens het bedrijf niet aan de in- of uitloop grijpen van producten die met de kabel in aanraking zijn. Er bestaat dan een risico op naar binnen getrokken worden en kneuzingen
- Afhankelijk van de montagesituatie van de lier kan het dragen van gehoorbescherming noodzakelijk zijn.

- Wanneer de last niet via vaste inrichtingen ter plaatse geleid kan worden, moet een verdraaiingsarme kabel met wartelhaak of een kabelwartel worden gebruikt.
- Bij laswerkzaamheden dienen de nationale veiligheids- en arbovoorschriften in acht genomen te worden (bijv. in Duitsland BGR 159).

2.2 Aanwijzingen voor de exploitant

- Wanneer er meer dan één persoon betrokken is bij de hier beschreven activiteiten, dan dient de exploitant een toezichthouder te benoemen, die bevoegd is tot het geven van opdrachten.
- De exploitant is er verantwoordelijk voor dat er duidelijke bedienings-, reparatie-, onderhouds- en overige gebruiksaanwijzingen beschikbaar zijn en dat door scholing en instructie van het personeel een vakkundige en correcte werking en bediening van het apparaat gewaarborgd zijn.
- Aangebrachte waarschuwingsstickers en aanwijzingenborden moeten altijd leesbaar zijn. Ontbrekende of niet meer leesbare waarschuwingsstickers en aanwijzingenborden moeten per omgaande vervangen worden.
- De gebruiker is verantwoordelijk voor de reglementaire werking van de installatie en voor het aanhouden van de onderhoudsintervallen en het uitvoeren van onderhoudswerkzaamheden.
- De exploitant is verplicht het meegeleverde logboek bij te houden.
- Binnen de Europese Unie geldt de EU-richtlijn 89/391/EEG (in Duitsland de "Betriebssicherheitsverordnung" (BetrSichV)). De nationale voorschriften met betrekking tot de arbeidsveiligheid in het land van de exploitant moeten in acht worden genomen.
- Stel geschikte veiligheidsuitrusting beschikbaar zoals bij. veiligheidshandschoenen, gehoorbescherming en valbescherming. Tot de persoonlijke veiligheidsuitrusting behoort ook de bescherming tegen extreme weersomstandigheden (bijv. zonwering, koudebescherming).
- Zorg altijd voor voldoende verlichting van de werkplek.
- Aan het ingeschakelde personeel dient men deze handleidingen en de handleidingen van het toebehoor te overhandigen. De documenten moeten op elk moment toegankelijk zijn.
- Daar de TRACTEL Greifzug GmbH de latere toepassing van het hier beschreven product niet kent, is de exploitant verplicht het personeel over verdere veiligheidsinstructies en over aanvullende onderhoudswerkzaamheden te informeren.
- Voor de keuze van de bevestigingsmethode en geschikte aanslagmogelijkheden is de exploitant van de installatie verantwoordelijk.
- Bevestigingsmiddelen moeten in overeenstemming zijn met de gegevens in deze handleiding resp. met de geldige normen/richtlijnen.

- Wanneer geen originele onderdelen worden gebruikt, is een veilig bedrijf niet gegarandeerd. Dit geldt vooral, wanneer niet de voorgeschreven en voor het gebruik toegelaten originele kabels worden gebruikt. De garantieaanspraak tegenover de producent vervalt dan. Bij producten met CE-markering verliest deze haar geldigheid.
- Let op het toegelaten temperatuurbereik, zie tabel 1 op pagina II.

2.3 Verantwoordelijkheid van de installatiefabrikant

- De installatiefabrikant is verantwoordelijk voor het ontwerp, de vervaardiging, de montage, het in verkeer brengen en de CE-markering van de installatie en voor het opstellen van de EG-conformiteitverklaring.
- De bij de levering door TRACTEL Greifzug GmbH inbegrepen producten moeten door de installatiefabrikant zorgvuldig geselecteerd, reglementair toegepast en volgens de gegevens van de montage- en bedieningshandleiding worden gemonteerd.
- De informatie en de aanwijzingen van deze montage- en bedieningshandleiding moeten in de gebruiksaanwijzing en de documentatie van de installatiefabrikant worden verwerkt en met installatiespecifieke gegevens (bijv. handelwijze bij storingen en blokkeringen) worden aangevuld. Het is niet voldoende deze handleiding gewoon aan de exploitant door te geven.
- Eventueel moet een testrapport toegevoegd worden waarin de statische en dynamische controles en testen in detail beschreven zijn.
- Gegevens over het onderhoud van het product en de accessoires moeten in het onderhoudsboek van de installatie worden opgenomen.

3 Overzicht

3.1 Leveringstoestand

Bij levering is het product compleet gemonteerd.

3.2 Omvang van de levering

- Lier met besturings- en aansluitkabel (vast bedraad) volgens orderspecificatie.
- tirak™-staalkabel volgens bestelspecificatie
- Originele montage- en bedieningshandleiding
- Elektrisch schema
- Logboek
- Testcertificaten
- CE conformiteitverklaring

- Eindschakelaar voor het uitschakelen van hef- en trekbewegingen volgens orderspecificatie

Omvang van de levering optioneel

- Hangkastje bediening, inplugbaar
- Centrale besturing, inplugbaar
- elektronische of mechanische hefkrachtbegrenzing
- Omkeerrol
- Hulpborstels voor de reiniging van de kabel

De lengte van de besturingskabel en de aansluitkabel worden bij de bestelling vastgelegd. Zie ook '6 Optionele toebehoren' op pagina 10, '7 Opties' op pagina 10 en 'Elektrische aansluiting' op pagina 12.

3.3 Beschrijving van het apparaat

Gebruik voor het toegelaten gebruiksdoel

Lier

De lieren zijn bestemd voor het heffen, neerlaten, trekken, laten vieren of verplaatsen van lasten. Het product mag alleen voor materiaaltransport worden gebruikt.

Het gebruik voor het transport van personen is verboden.

Alleen de voorgeschreven en voor het gebruik toegelaten originele kabels mogen worden gebruikt. Neem de informatie over het kabeltype en de kabeldiameter in acht.

X-type serie:

De inloop van de kabel zit aan de motorzijde (let op de pijl op de behuizing!). Dit komt overeen met de lastzijde van de lier. De uitloop van de kabel is de lastloze zijde van de lier. De lastloze zijde van de lier mag met maximaal 100 kg worden belast (bijv. door de voorspanning van de kabel).

Typeserie T:

De lier kan in beide richtingen trekken. De inloop van de kabel kan afhankelijk van de looprichting aan de motorzijde of aan de tegenoverliggende zijde zitten. Bij trekbewegingen mag de voorspanning van de kabel niet meer dan 400 kg bedragen (zie Afb. 20 g/h).

Beoogd gebruikdoel van het product

Het apparaat is zowel geschikt voor commercieel als voor particulier gebruik. Het precieze gebruiksdoel wordt door de exploitant of de installatiefabrikant vastgelegd.

Tot het product behorende zwenkrollen, haken, schakels en ogen of andere optionele draagmiddelen mogen alleen in combinatie met dit apparaat worden gebruikt.

Wanneer de last niet via vaste inrichtingen ter plaatse geleid kan worden, moet een verdraaiingsarme kabel met wartelhaak of een kabelwartel worden gebruikt.

Reparatie- en onderhoudswerkzaamheden mogen alleen door geautoriseerd onderhoudspersoneel worden uitgevoerd, zie '15.1 Geautoriseerd onderhoudspersoneel' op pagina 19.

Gezondheids- en veiligheidseisen

De TRACTEL Greifzug GmbH verklaart dat de in deze handleiding beschreven machine aan de technische veiligheidsvoorschriften voldoet, waaraan de producent op het tijdstip van de marktintroductie in de Europese Unie moest voldoen voor deze uitrusting.

De testrapporten (toelatingscertificaten) worden met het product meegeleverd. In de testrapporten zijn de statische en dynamische tests in detail beschreven.

De producent/eigenaar-gebruiker is er verantwoordelijk voor dat lieren met een mechanische hefkrachtbegrenzing volgens de geldige richtlijnen en normen en binnen de toepassingslimieten van de lier voor de specifieke toepassing gekozen en eventueel afgesteld worden.

De inbedrijfstelling van de machine is verboden tot de machine waarin zij ingebouwd wordt, als geheel aan de bepalingen van de richtlijn 2006/42/EG en aan de relevante nationale wetgeving (waarin de richtlijn in het nationale recht geïmplementeerd wordt) voldoet en de desbetreffende conformiteitsverklaring afgegeven is.

Voor machines voor het hijsen/heffen van lasten moet door de exploitant of fabrikant van de installatie een risico-analyse overeenkomstig bijlage I van de richtlijn 2006/42/EG worden uitgevoerd. Bij de installatieplanning moet rekening worden gehouden met EN 14492-1.

Uitsluitingen van garantie en aansprakelijkheid

Zie '11 Te voorzien misbruik' op pagina 17.

Iedere van de hier genoemde gegevens afwijkende toepassing geldt als oneigenlijk, niet toegelaten gebruik. Voor hieruit resulterende schade stelt de TRACTEL Greifzug GmbH zich niet aansprakelijk. Het risico wordt alleen door de exploitant gedragen. Tot de reglementaire toepassing behoort ook het in acht nemen van alle aanwijzingen uit deze handleiding, in het bijzonder de naleving van de montage- en onderhoudsvoorschriften.

Toepassingsgebied

Het product is geschikt voor de volgende bedrijfsomstandigheden:

- Voor vaste inbouwsituaties of wisselende installaties
- Voor kortdurend bedrijf: Drijfwerkgroepen zie Tabel 1 op pagina II.
- Op hoogtes tot maximaal 1000 m boven NN
- Toegelaten temperatuurbereik: zie Tabel 1 op pagina II



GEVAAR!

Risico op ernstige ongelukken!

- 24-Uurs bedrijf is verboden.
- De toepassing in explosiegevaarlijke omgevingen is verboden.
- De toepassing in corrosieve omgeving is verboden.¹⁾
- De inzet in de buurt van open vuur of in een zeer hete omgeving is verboden.
- Het transport van personen is verboden!

¹⁾ Corrosiebescherming volgens bestelspecificatie

Montagevoorbeeld

Zie Afb. 20.

Bouwkundige eisen

Algemene aanwijzingen

Neem de nuttige last in acht die inwerkt op het hefwerktuig, de omkeerrol, de aanslagmiddelen en het ophangpunt. Zie '4.9 Belastinglimieten' op pagina 10.

Wanneer de last niet via vaste inrichtingen ter plaatse geleid kan worden, moet een verdraaiingsarme met wartelhaak of een kabelwartel worden gebruikt.

Kabels, met kabels in aanraking komende producten en aanslagmiddelen mogen niet met sterk verontreinigende bouwmaterialen, zoals bijv. beton, epoxyhars of andere hechtende materialen worden verontreinigd. Bescherm de producten tegen verontreinigingen! In een sterk vervuilde omgeving hulpborstels voor de kabelreiniging gebruiken.

Aanslagpunt, ophangpunt

De lay-ouconstructie van de constructieve inrichtingen voor de bevestiging van het product moet voldoen aan de toepasselijke richtlijnen en normen (zie '9.1 Richtlijnen en normen' op pagina 10).

Bij het constructie van de ophangconstructie moet rekening worden gehouden met de totale aangehangen last voor het specifieke toepassingsgeval. De totale aangehangen last is de op de ophanging inwerkende statische last, die samengesteld is uit de nuttige last, het eigen gewicht van het lastopnamemiddel, de extra uitrusting, de staalkabels en de stuur- en aansluitkabels.

Eventueel moet een testrapport toegevoegd worden waarin de statische en dynamische controles en testen in detail beschreven zijn.

Bewegingstraject

Het verplaatsingstraject moet met een of meerdere eindschakelaars begrensd worden, zodat de opwaartse en/of neerwaartse beweging kan worden gestopt.

De exploitant of installatieproducent moet rekening houden met de uitkomsten van zijn risicoanalyse bij de vastlegging van het type en het bevestigingspunt van de eindschakelaar.

De exploitant of de producent van de installatie dient een bedrijfseindschakelaar, resp. een noodeindpuntschakelaar en een bodemeindpuntschakelaar in te bouwen en op de lier aan te sluiten. Deze eindpuntschakelaars moeten geforceerd openend zijn.

De afstand tussen eindschakelaar en kabelbevestiging of uitstekende onderdelen moet zo gekozen worden dat de machine betrouwbaar en op tijd uitschakelt. Wij adviseren een minimale afstand (maat a) van ca. 0,5 tot 1,5 m. Zie Afb. 14.

De kabellengte moet zodanig worden gekozen dat de kabeleindverbinding of het lastopnamepunt of het kabeleinde niet tot aan het product of de accessoires bewegen of ingetrokken worden.

Bedieningsinrichtingen

De bedieningsinrichting moet zodanig gepositioneerd kunnen worden dat de gevaarlose bediening bij alle bewegingen van de lier te allen tijde mogelijk is.

De bedieningstoetsen moeten zodanig zijn gerangschikt dat verwisselen uitgesloten is.

Bij een hangend bedieningskastje moet de toets die het dichtste bij de kabeluitgang zit, altijd de OMHOOG-toets zijn.

Typeplaatjes en aanwijzingsborden/ Grenzen aan het gebruik

Ontbrekende of onleesbare type- en waarschuwingsborden per omgaande vervangen.

Zie Afb. 11.

Pos.	Aanduiding
1	Aanwijzingsbord 'Diameter van de staalkabel'
2	Typeplaatje tirak™
3	Typeplaatje rem
4	Typeplaatje elektromotor
5	Aanwijzingsbord noodafdeling
6	Kabelmarkering

Op de typeplaatjes vindt u de noodzakelijke informatie.

Richtlijnen en normen

Maatgevende richtlijnen en normen: Zie '9.1 Richtlijnen en normen' op pagina 10.

Productvarianten in de handleiding

In deze handleiding worden de in Tabel 1 op pagina II vermelde productvarianten beschreven.

Bedrijfsurenteller

De bedrijfsurenteller bevindt zich in de klemmenkast van de lier. De bedrijfsurenteller telt die tijden als bedrijfsuren waarin de lier in werking is (OMHOOG- en OMLAAG beweging). Bedrijfsurenteller aflezen: Zie '15.3 Aflezen van de bedrijfsurenteller' op pagina 19.

4 Beschrijving

4.1 Functiebeschrijving

De tirak™ is een lier voor het transporteren van lasten. De lier wordt met een elektromotor aangedreven. De lieren van de X-type serie kunnen in de trekrichting van de kabel hijsen, neerlaten, trekken en vieren. De lieren van de T-typeserie kunnen in beide richtingen trekken en worden bijv. ingezet voor het verplaatsen van lasten.

De bediening vindt plaats via een drukknoppenkastje (hangend), een bedieningskast of een centrale besturing.

De elektromagnetische veerrem sluit automatisch, wanneer de bedieningsinrichting OMHOOG resp. OMLAAG wordt losgelaten of wanneer de stroom uitvalt. Een centrifugaalrem voorkomt bij neerlaten van de last door het handmatig lossen van de veerrem een te hoge snelheid van de kabel.

De nuttige last van de lier kan door inscheren van de kabel volgens het takelprincipe worden veeveelvoudigd. Zie '4.9 Belastinglimieten' op pagina 10.

Door het indrukken van de NOODSTOP-toets kan de lier in gevaarlijke situaties onmiddellijk worden gestopt.

X-type serie:

Lieren vanaf 1000 kg draagvermogen hebben een mechanische hijskrachtbegrenzing. Lieren tot 1000 kg draagvermogen kunnen optioneel worden voorzien van een elektronische of mechanische hefkrachtbegrenzing.

Typeserie T:

Lieren van de T-type serie kunnen optioneel worden voorzien van een elektronische hefkrachtbegrenzing.

De hefkrachtbegrenzing wordt bij het bereiken van de ingestelde overbelasting automatisch geactiveerd. De opwaartse beweging van de lier wordt uitgeschakeld. De in te stellen maximale overbelasting resulteert uit de geldige richtlijnen en normen (zie '9.1 Richtlijnen en normen' op pagina 10).

De installatieproducent/exploitant-eigenaar is er verantwoordelijk voor dat de maximale overbelasting afhankelijk van het toepassingsgeval bepaald en ingesteld wordt.

Zie voor verdere informatie '15.5 Instelwerkzaamheden, Hefkrachtbegrenzing instellen' op pagina 21.

4.2 Componenten/bouwgroepen

Zie Afb. 1.

Pos.	Aanduiding
1	Kabel
2	Insteekverbinding naar eindschakelaar ¹⁾
3	Remvrijgavehendel
4	Greep
5	Insteekverbinding naar besturing ¹⁾
6	Klemmenkast
7	Kabelaandrijving
8	Draaggreep
9	Transmissie
10	Bedieningseenheid ¹⁾
11	Motor
12	Besturing (hangend drukknoppenkastje) ¹⁾
13	Aansluitstekker
14	Eindschakelaar (zonder afbeelding) ¹⁾
	Optioneel: Frequentieomvormer (zonder afbeelding)

¹⁾ Optionele omvang van de levering afhankelijk van de uitvoering van de lier en de bestelspecificatie.

4.3 Technische gegevens

De technische gegevens vindt u in Tabel 1 op pagina II.

4.4 Bedrijfsmiddelen

Transmissieolie

Transmissieolie zie Tabel 2 op pagina V.

Normaal gesproken is het wisselen van de transmissieolie niet nodig.

OPGELET!

Verkeerde transmissieolie!

Transmissieschade door ontbrekende smering!

- Gebruik alleen de in de tabel aangegeven smeerstoffen.

OPGELET!

Synthetische en minerale olie mogen niet worden gemengd!

- Spoel bij het verversen van de oliesoort de transmissie meerdere keren grondig uit met de nieuwe oliesoort.
- Vervang overeenkomstig de nieuwe oliesoort de olieaftapschroef (linbusbout: minerale olie; zeskantschroef: synthetische olie).

Smeermiddelen

Toepassing	Smeermiddelen
Buitenvertdanding van de aandrijfschijf (alleen serie X 3050)	hebro-chemie VARILUB of Klüber Grafloscon C-SG 0 Ultra of Klüber C-SG 1000 Ultra hoeveelheid ca. 10 cm ³ per smering
Kabel	Multifunctionele olie/-vet (zonder disulfide)

4.5 Elektrisch schema

Het elektrische schema bevindt zich in de klemmenkast van de motor.

4.6 Bedieningseenheid



GEVAAR!

Verwisselingsgevaar door foute toetsenbezetting.

Risico op zware ongelukken!

- Inplugbare hangende bedieningskastjes niet wisselen tussen verschillende lieren.
- De toets die het dichtste bij de kabeluitgang van het hangende kastje zit, moet altijd de OMHOOG-toets zijn, zodat de overbelastingsuitschakeling werkzaam is.

Naar gelang de uitvoering wordt de lier via een hangtoets, een bedieningskast of een centrale besturing bediend, zie Afb. 1 en Afb. 4.

Pos.	Aanduiding	Functie
Met een snelheidstrede:		
1	Toets OMHOOG	Last omhoog bewegen/ kabel trekken: – Toets indrukken en vasthouden
2	Toets OMLAAG	Last omlaag bewegen/ kabel loslaten: – Toets indrukken en vasthouden

Pos.	Aanduiding	Functie
3	Toets NOODSTOP	Inschakelen: – toets naar rechts draaien tot de toets eruit springt. Stroomtoevoer onderbreken: – toets indrukken.
Met twee snelheidstreden:		
4	Toets OMHOOG	Last omhoog bewegen/ kabel trekken: – Toets half indrukken en vasthouden: langzaam – Toets helemaal indrukken en vasthouden: snel
5	Toets OMLAAG	Last omlaag bewegen/ kabel loslaten: – Toets half indrukken en vasthouden: langzaam – Toets helemaal indrukken en vasthouden: snel
6	Toets NOODSTOP	Zie punt 3.

4.7 Veiligheidsvoorzieningen

NOODSTOP-toets

Met de NOODSTOP-toets wordt de lier in geval van nood onmiddellijk gestopt.

Mechanische hefkrachtbegrenzing

X-type serie:

- vanaf 1000 kg maximaal draagvermogen bestanddeel van de levering
- tot 1000 kg maximale bedrijfslast optionele levering

De hefkrachtbegrenzing wordt bij het bereiken van de ingestelde overbelasting automatisch geactiveerd. De lier wordt uitgeschakeld. De in te stellen maximale overbelasting resulteert uit de geldige richtlijnen en normen (zie '9.1 Richtlijnen en normen' op pagina 10).

De installatieproducent/exploitant-eigenaar is er verantwoordelijk voor dat de maximale overbelasting afhankelijk van het toepassingsgeval bepaald en ingesteld wordt.

Zie voor verdere informatie '15.5 Instelwerkzaamheden, Hefkrachtbegrenzing instellen' op pagina 21.

Elektronische hefkrachtbegrenzing (optioneel)

De elektronische hefkrachtbegrenzer schakelt bij overbelasting automatisch uit. De hefkrachtbegrenzing reageert op de stroomopname van de motor. Lieren met twee snelheden zijn van twee elektronische hefkrachtbegrenzings voorzien. Bij het hijken/heffen wordt een overbelasting herkend.

Veerrem

De elektromagnetische veerrem sluit automatisch, wanneer de bedieningsinrichting OMHOOG resp. OMLAAG wordt losgelaten of wanneer de stroom uitvalt.

Centrifugaalrem

Wanneer de veerrem op de motor van de lier met de hand wordt losgemaakt, zorgt een centrifugaalrem op de motoras van de lier ervoor dat de last niet te snel wordt neergelaten.

Bedrijfseindschakelaar/noodeindschakelaar

Het verplaatsingstraject moet met een of meerdere eindschakelaars begrensd worden, zodat de opwaartse en/of neerwaartse beweging kan worden gestopt.

De exploitant of installatieproducent moet rekening houden met de uitkomsten van zijn risicoanalyse bij de vastlegging van het type en het bevestigingspunt van de eindschakelaar.

De exploitant of de producent van de installatie dient een bedrijfseindschakelaar, resp. een noodeindpuntschakelaar en een bodemeindpuntschakelaar in te bouwen en op de lier aan te sluiten. Deze eindpuntschakelaars moeten geforceerd openend zijn.

Bedrijfsurenteller

Op de bedrijfsurenteller kunnen de bedrijfsuren worden afgelezen om het tijdstip voor de volgende veiligheidscontrole van de lier vast te leggen.

Fasevolgreis (lieren zonder frequentieomvormer)

Bij besturingen voor draaistroombedrijf stopt het fasevolgordereis het bedrijf in geval van een foute fasevolgorde en voorkomt zo een verkeerde aansturing via de richtingtoetsen OMHOOG/OMLAAG, wat onder bepaalde omstandigheden de werking van eindschakelaars en hefkrachtbegrenzing buiten werking zou kunnen stellen.

4.8 Bevestiging



GEVAAR!

Risico op ernstig letsel door onvakkundige bevestiging!

Verzinkte hoogvaste bouten en schroeven kunnen broos worden en breken. Risico op een val en letsel door vallende voorwerpen!

- Voor de bevestiging mogen geen hoogvaste verzinkte bouten/schroeven (10.9 of 12.9) worden gebruikt.
- Gebruik bouten/schroeven met de aangegeven sterkte.

Informatie over de sterkte van bouten/schroeven vindt u in Tabel 4 op pagina VII. Neem de informatie in acht in 'Bouwkundige eisen' op pagina 6.

De lier kan met en zonder adapter (zie pos. D in Afb. 2) bevestigd worden.

Bevestiging zonder adapter:

- minimaal 2 schroeven met zelfborgende moeren

Bevestiging met adapter:

- 2 schroeven met zelfborgende moeren

In plaats van de schroeven kunnen ook bouten met dezelfde sterkte en een gelijkwaardige borging worden gebruikt.

Zie ook '9.3 Montage' op pagina 11.

4.9 Belastinglimieten



GEVAAR!

Onvakkundige bevestiging! Onvakkundig gebruik!

Risico op letsel door vallende voorwerpen!

Afhankelijk van de configuratie van hijswerktuig, omkeerrol en last wordt de belasting van de omkeerrol, aanslagmiddel en ophangpunt verhoogd!

- De min. breukvastheid van de omkeerrollen, van de aanslagmiddelen en de ophangpunten moet de maximale bedrijfslast van de lier in de gegeven inbouwsituatie met het 4voudige overtreffen (zie Afb. 20).

NL

De nuttige last van de lier kan door inscheren van de kabel verhoogd worden. Zie Afb. 20 (F komt overeen met de maximale bedrijfslast van de lier). De maximale bedrijfslast mag door het inscheren niet worden overschreden.

Aanwijzing:

Door inscheren van de kabel daalt de hefsnelheid.

5 Kabels

Algemeen



GEVAAR!

Foute kabel of kabel met foute diameter!

Door het gebruik van een foute kabel bestaat een risico op neerstorten of op letsel door vallende voorwerpen en een risico op storingen!

- Voor de veilige werking alleen een door de TRACTEL Greifzeug GmbH toegelaten originele kabel met de correcte kabeldiameter en van de voorgeschreven uitvoering gebruiken.
- Wanneer de last niet via vaste inrichtingen ter plaatse geleid kan worden, moet een verdraaiingsarme kabel met wartelhaak of een kabelwartel worden gebruikt.
- De vereiste kabeldiameter kunt u Tabel 1 op pagina II vinden. De uitvoering kunt u Tabel 7 op pagina 20 vinden.

De kabel wordt meegeleverd.

Alternatieve configuraties van de kabels:

- Punt/kabelkous
- Punt/veiligheidshaak

6 Optionele toebehoren

Aanvullend kunnen de volgende toebehoren worden verkregen:

- Omkeerrol
- Adapter, ooghaak of ophangschakel

Neem hiervoor direct contact op met de TRACTEL Greifzug GmbH.

7 Opties

Neem hiervoor direct contact op met de TRACTEL Greifzug GmbH.

8 Noodzakelijke toebehoren

Om het product te kunnen gebruiken, heeft u de volgende toebehoren nodig, die niet bij de levering zijn inbegrepen:

- Aanslagmiddelen en bevestigingsmiddelen met een toereikende minimale breukvastheid (zie 'Bouwkundige eisen' op pagina 6).
- Wanneer de kabel omgeleid of ingescheerd wordt: omkeerrollen en aanslagmiddelen met een toereikende minimale breukvastheid (zie 3.3 Beschrijving van het apparaat, Bouwkundige eisen op pagina 6).
- Desgewenst kan een langere aansluitkabel worden gebruikt, zie 'Elektrische aansluiting' op pagina 12.

Verdere originele Greifzug toebehoren: Zie '6 Optionele toebehoren' op pagina 10.

De exploitant of de installatiefabrikant is verantwoordelijk voor de keuze en het gebruik van accessoires die geschikt zijn voor gebruik onder de gegeven plaatselijke omstandigheden. Verdere voorschriften in de toepasselijke wet- en regelgevingen moeten in acht worden genomen.

9 Installatie en inbedrijfstelling

9.1 Richtlijnen en normen

Het product voldoet aan de volgende richtlijnen en normen:

- Machinerichtlijn 2006/42/EG
- EN ISO 12100:2010
- EN ISO 13849
- EN 60204
- Machines voor het hijsen van lasten (Materiaaltransport): EN 14492-1:2006 + A1:2009
- Aan de beoogde bescherming conform richtlijn 2006/95/EG en bijl. I nr. 1.5 van de richtlijn 2006/95/EG werd voldaan.

De exploitant of de installatiefabrikant is ervoor verantwoordelijk dat de machine binnen de in deze handleiding aangegeven grenzen wordt gebruikt. De bovengenoemde richtlijnen en normen moeten ook in acht worden genomen door de exploitant of producent van de machine, waarin deze machine ingebouwd wordt.

9.2 Controles voor aanvang van de montage

Controle van de aanslagmiddelen, omkeerrollen en ophangpunten

- Controleer of de omkeerrol, de aanslagmiddelen en de op locatie aanwezige ophangpunten de vereiste minimale breukvastheid hebben, zie 'Bouwkundige eisen' op pagina 6.

Controle van de inbouwlocatie

Algemeen

- Controleer of een adequate montage door andere componenten wordt belemmerd.
In de inbouwruimte mogen geen spitse of scherpgerande componenten aanwezig zijn.
- Controleer of door de bevestiging eventueel typeplaten (zie Afb. 11) afgedekt worden.
Evt. uitsparingen in de bevestiging voorzien.
- Controleer of een geschikte aansluitmogelijkheid voor de stroomvoorziening volgens hoofdstuk 'Elektrische aansluiting' op pagina 12 ter plaatse ter beschikking staat.

Lier

- Neem de noodzakelijk inbouwruimte volgens Afb. 2 en Tabel 1 op pagina II in acht.
- Controleren of de kabel in trekrichting loodrecht de lier binnenloopt (Afb. 2).

Controleren van de componenten en de accessoires

Algemeen

- Controleer de componenten en toebehoor op volledigheid (zie '3.2 Omvang van de levering' op pagina 5 en '4.2 Componenten/bouwgroepen' op pagina 8).
- Op schade controleren.
- Alle schroefbevestigingen op vastzitten controleren.
- Laat beschadigde delen vervangen of deskundig repareren. Reparaties mogen alleen door een vakkundige werkplaats of door de TRACTEL Greifzug GmbH worden verricht.

Kabel

- Controleer of de diameter en het type van de kabel bij het product en het toepassingsgeval passen, zie Tabel 1 op pa-

gina II, Tabel 7 op pagina 20 en 'Typeplaatjes en aanwijzingsborden/ Grenzen aan het gebruik' op pagina 7.

Wanneer de last niet via vaste inrichtingen ter plaatse geleid kan worden, moet een verdraaiingsarme kabel met wartelhaak of een kabelwartel worden gebruikt.

- Controleer of de lengte van de kabel voldoende is:
De last moet veilig tot de begin- en eindpositie verplaatsbaar zijn.
De kabellengte moet zodanig worden gekozen dat de kabeleindverbinding of het lastopnamepunt of het kabeleinde niet tot aan het product of de accessoires bewegen of ingetrokken worden.
- Kabel over de gehele lengte op herkenbare beschadigingen controleren, zie Afb. 13.
- Kabelpunt volgens Afb. 8 controleren (zie ook '15.4 Service en onderhoud, Kabel' op pagina 20).
- Regelmatig reinigen.
- Controleer of de kabelkous (1) en de persmanchet (2) onbeschadigd zijn (zie Afb. 10).
- Kabels met haak:
Controleer of de haak en de borgklep (3) intact zijn, zie Afb. 10.
- Kabels met veiligheidshaak:
Controleer of de veiligheidshaak (4) correct sluit en de arretering functioneert, zie Afb. 10.

Bevestigingsmiddelen

- Controleer of de bouten/schroeven/aanslagmiddelen aan de specificaties in '4.8 Bevestiging' op pagina 9 voldoen.
- Controleer bevestigingspunten, lastbouten en schroefbevestigingen op beschadigingen.

Aansluitkabel

- Controleer of de lengte voldoende is.
- Controleer of de kabeldoorsnede voor de geplande lengte (zie Tabel 5 en 6 op pagina 13) toereikend is.
- Kabel over de gehele lengte op herkenbare beschadigingen controleren.

Besturingskabel

- Controleer of de lengte voldoende is.
- Kabel over de gehele lengte op herkenbare beschadigingen controleren.

9.3 Montage

Voorwaarden

- De montage mag alleen door geschoold personeel plaatsvinden.
- De werkplek moet voldoende verlicht zijn.

Lier bevestigen



GEVAAR!

Onvakkundige bevestiging!

Risico op letsel door vallende voorwerpen!

- De lier alleen in de aangegeven verankeringsboringen met de aangegeven bevestigingsmiddelen bevestigen.
- De kabel moet loodrecht de lier binnenlopen (zie Afb. 2).
- Wanneer een hoger draagvermogen nodig is: Neem de gegevens in '4.9 Belastinglimieten' op pagina 10 in acht.

Risico op ernstig letsel door onvakkundige bevestiging!

Verzinkte hoogvaste bouten en schroeven kunnen broos worden en breken. Risico op een val en letsel door vallende voorwerpen!

- Voor de bevestiging mogen geen hoogvaste verzinkte bouten/schroeven (10.9 of 12.9) worden gebruikt.
- Gebruik bouten/schroeven met de aangegeven sterkte.

Verkeerd ingezette borgsplitpennen!

Risico op letsel door vallende voorwerpen.

- Splitpennen volgens Afb. 6 plaatsen.

OPGELET!

Foute inbouwpositie!

Schade aan het apparaat mogelijk!

Transmissieschade door ontbrekende of ontoereikende smering!

- De lier mag niet op de vlakke zijde liggend ingebouwd worden.
- Bevestig de lier zodanig dat de vlakke zijde naar boven ligt, zie Afb. 2.

- Schroeven met zelfborgende moeren tegen verlies beveiligen.
- Bouten met een borgpen of vergelijkbare beveiliging borgen.

X-type serie

Zie Afb. 2 en Tabel 4 op pagina VII.

OPGELET!

Verkeerde bevestiging!

Schade aan het apparaat mogelijk!

Het apparaat kan door bevestiging in de verkeerde verankeringsboringen beschadigd raken!

- De lier alleen in de aangegeven verankeringsboringen met de aangegeven bevestigingsmiddelen bevestigen.
- De bevestiging aan diagonaal tegenover elkaar liggende verankeringsboringen is verboden.
- De bevestiging aan de verankeringsboringen A3 + A4 volgens Afb. 2 is verboden.

Bevestiging aan de verankeringspunten A:

- Lier met schroeven of bouten aan minstens twee verankeringspunten bevestigen, A1 + A2 of A2 + A3 of A1 + A4.

Bevestiging aan verankeringspunt B:

- Lier met schroef of bout bevestigen.

Typeserie T

Zie Afb. 3 en Tabel 4 op pagina VII.

OPGELET!

Verkeerde bevestiging!

Schade aan het apparaat mogelijk!

Het apparaat kan door bevestiging in de verkeerde verankeringsboringen beschadigd raken!

- De lier alleen in de aangegeven verankeringsboringen met de aangegeven bevestigingsmiddelen bevestigen.
- Moet de last uit richting A2 getrokken worden, dan verankeringspunt A1 gebruiken.
- Moet de last uit richting A4 getrokken worden, dan verankeringspunt A3 gebruiken.
- Moet de last in beide richtingen getrokken worden, dan verankeringspunt A1 + A3 gebruiken.

Beschadiging van de bevestigingselementen mogelijk!

- Trek de zelfborgende moer (1) slechts zover aan tot deze vlak tegen de strip (2) aanligt.
- Lier met schroef of bout aan verankeringspunt A1 of A3 of A1 + A3 bevestigen.

Elektrische aansluiting



GEVAAR!

Gevaar door elektrische stroom! Risico op ernstige ongelukken!

Alle werkzaamheden en elektrische aansluitingen moeten voldoen aan de nationale voorschriften van het betreffende land.

- De elektrische aansluiting mag alleen door een gekwalificeerde elektromonteur worden verricht.

Gevaar door onbevoegd gebruik!

De elektrische aansluiting moet bij de exploitant zodanig zijn uitgevoerd dat de lier tegen onbevoegd gebruik kan worden beveiligd! Geschikte veiligheidsmaatregelen kunnen zijn:

- afsluitbare nooduitschakelinginrichting
- afsluitbare hoofdschakelaar
- Sleutelschakelaar
- afneembare bedieningsinrichting

**GEVAAR!****Risico op ernstige ongelukken! Gevaar door elektrische stroom!**

Om elektrische gevaren te vermijden, moet de elektrische aansluiting voldoen aan de aanwijzingen en instructies in deze handleiding.

De elektrische aansluiting moet door de exploitant/eigenaar overeenkomstig EN 60204-32 worden uitgevoerd.

De aarding vindt plaats via de toevoerkabel. De werking van de aarding moet gecontroleerd zijn (isolatieveiligheidscontrole). Evt. zijn extra maatregelen noodzakelijk.

Bij behoefte kan een generator met het 3-voudige nominale vermogen van het vermogen van de lier worden gebruikt (nom. vermogen van de generator [kVA] = aantal lieren x nominaal vermogen van de lieren [kW] x 3). De generator moet door de exploitant worden geaard. De werking van de aarding moet gecontroleerd zijn (isolatieveiligheidscontrole).

De beschikbaar gestelde aansluiting moet van een 30 mA aardlekschakelaar (FI resp. RCD) en een overstrombeveiliging (zekeringautomaat met K-karakteristiek volgens elektrisch schema en orderspecificatie zijn voorzien. De startstroom komt overeen met de 3-voudige nominale stroom van de lier.

- Draaistroom: 400 V (3P + N + PE), 50 Hz
- Wisselstroom: 230 V (3P + N + PE), 50 Hz

Hoe langer de voedingskabel des te groter moet de kabeldoorsnede zijn.

- Hangende kabel met een kabelkous (1) bevestigen, zie Afb. 7.
- Gebruik zware rubberen kabels met draagorgaan.

Vaststellen van de noodzakelijke kabeldoorsnede:

De volgende tabellen gelden voor lieren met 50 Hz. Bij 60 Hz moeten afhankelijk van het vermogen grotere kabeldiameters worden gebruikt.

- Identificatieletter (bijv. 'C') in tabel 5 opzoeken. Bij lieren met twee snelheden is de maximale snelheid maatgevend.
- In tabel 6 de noodzakelijke kabeldoorsnede bij de identificatieletter zoeken.

Serie	max. kabelsnelheid	Een lier			Twee lieren		
		Draaistroom	Wisselstroom	Wisselstroom	Draaistroom	Wisselstroom	Wisselstroom
	m/min	400 V	230 V	230 V	400 V	230 V	230 V
X 300	9	A	B	C	A	D	E
	18	A	C	-	B	E	-

Serie	max. kabelsnelheid	Een lier			Twee lieren		
		Draaistroom	Wisselstroom	Wisselstroom	Draaistroom	Wisselstroom	Wisselstroom
	m/min	400 V	230 V	230 V	400 V	230 V	230 V
X 400 X 500	9	A	C	E	B	E	F
	18	B	E	-	D	G	-
X 800 T 1000 T 1020 X 1020	9	B	E	-	D	F	-
	18	C	F	-	E	G	-
X 1230 X 1530	9	B	E	-	D	-	-
	18	C	F	-	F	-	-
X 3050	6	D	F	-	F	G	-
	12	E	F	-	F	G	-

Tabel 5

Identificatieletter	Kabeldoorsnede [mm ²] voor kabel lengtes tot...			
	20 m	50 m	100 m	200 m
A	1,5	1,5	1,5	1,5
B	1,5	1,5	1,5	2,5
C	1,5	1,5	2,5	4
D	1,5	2,5	4	6
E	1,5	2,5	4	6
F	1,5	4	10	16
G	2,5	6	10	16

Tabel 6

Kabel monteren**GEVAAR!****Risico op ernstige ongelukken door een ondeskundige bevestiging of schade aan de kabel!**

Dodelijk of ernstig letsel mogelijk.

- De kabel moet vrij hangen.
- De kabel mag niet over een rand worden geleid.

Risico op steek- en snijwonden!

Door draadbreken in de draadkabel kunnen draden uitsteken! Uitstekende draden kunnen door veiligheidshandschoenen snijden of steken!

- Geschikte zware leren handschoenen dragen bij werkzaamheden aan de draadkabel.
- Draadkabel niet door de handen laten glijden.

**GEVAAR!****Gevaar voor kneuzingen en naar binnen trekken!**

Bij het invoeren van de kabel bestaat er gevaar dat vingers of de hele hand met de kabel naar binnen worden getrokken of tussen kabelrollen en kabelgeleidingen bekneld raken!

- Terwijl de lier in gebruik is, de kabel niet aanraken. Niet aan de in- of uitloop van de lier grijpen.
- Geschikte veilige afstand tot de kabel aanhouden.
- Let erop dat er geen lussen in de kabel komen.

OPGELET!**Verkeerde montage!**

Schade aan de lier mogelijk (X-type serie)!

- De lastoze zijde van de lier met maximaal 100 kg belasten (bijv. door de voorspanning van de kabel).

Schade aan de lier mogelijk (T-type serie)!

- Bij trekbewegingen mag de voorspanning van de kabel niet meer dan 400 kg bedragen (zie Afb. 20 g/h).

NL

Aanwijzing:

Wanneer het bevestigingspunt voor de kabel zich boven de lier bevindt, moet de kabel worden bevestigd voordat deze in de lier wordt ingevoerd.

Draagkabel

- De kabel zodanig afrollen zodat er geen kabellussen ontstaan.
- Kabelpunt zo ver mogelijk in de lier invoeren. (X-type serie: let op de pijlrichting op de behuizing.)
- De lier in trekrichting inschakelen.
- De kabel naschuiven tot het zelfstandig invoert en aan de tegenoverliggende opening weer naar buiten komt.
- Zorg voor een vrije kabeluitloop zodat het losse einde kan terugdraaien.
- Voer het losse kabeleinde desgewenst over een kabelrol of een andere geschikte kabelgeleiding zodat het niet over randen loopt en beschadigd wordt, zie Afb. 12.
- Losse kabeleinde vakkundig neerleggen zodat er geen knopen of lussen worden gevormd.

Monteer de aanslagschijf voor de bovenste verplaatsingstrajectbegrenzing

Als bovenste begrenzing voor het verplaatsingstraject moet aan aanslagschijf voor de noodeindschakelaar en de optionele bedrijfseindschakelaar gemonteerd worden.

Zie Afb. 14.

Pos.	Aanduiding
1	Kabelbevestiging
2	Aanslagschijf
3	Eindschakelaar (afbeelding soortgelijk)
4	Draagkabel

De afstand tussen eindschakelaar en kabelbevestiging of uitstekende onderdelen moet zo gekozen worden dat de machine betrouwbaar en op tijd uitschakelt. Wij adviseren een minimale afstand (maat a) van ca. 0,5 tot 1,5 m.

- Bevestig de aanslagschijf (2) onder de kabelbevestiging (1) op de draagkabel (4).

Na de montage

- Bedrijfsklare toestand controleren en werkingstest verrichten, zie '9.4 Inbedrijfstelling' op pagina 14.

9.4 Inbedrijfstelling**OPGELET!****Foute bevestiging van de last aan kabels zonder kabelsok of haak!**

Schade aan het apparaat mogelijk!

De last mag niet direct aan de trekkabel worden aangeslagen.

- Gebruik een wigklem en een aanslagkabel om de last te bevestigen.

Bedrijfsklare toestand vaststellen

- Bevestiging van de kabel controleren.
- Bevestiging van de lier, omkeerrollen en last controleren.
- Controleren of de kabel loodrecht de lier binnenloopt.
- Controleer de stop op de motor (zie Afb. 16, positie 3) op correcte bevestiging.
- Resultaat van de controles schriftelijk in het logboek vastleggen.

Werkingstest**GEVAAR!****Risico op letsel door vallende voorwerpen!**

- Niet onder zwevende lasten verblijven.
- Indien nodig de gevarezone afschermen.

OPGELET!**Verkeerde kabellengte!**

Schade aan het apparaat mogelijk!

De kabeleindverbinding resp. het lastopnamepunt of het kabeleinde mogen niet tot aan het product of de accessoires geraken of ingetrokken worden!

- Gebruik een voldoende lange kabel.
- Indien nodig: Observeer de kabel tijdens het bedrijf.

Aanwijzing (lieren zonder frequentieomvormer):

Wanneer de lier niet start, zijn er evt. twee fasen in de stroomkabel verwisseld. De ingebouwde bescherming tegen verkeerde aansluiting van fasen blokkeert de besturing:

- Fasewisselaar in de stekker 180° draaien, zie Afb. 21.

Lastopnamemiddel belasten

Bij de volgende controles moet het lastopnamemiddel resp. de lier met de maximale bedrijfslast belast zijn om de functies van de veiligheidsinrichtingen te kunnen controleren.

- De gebruiker of de producent van de installatie moet veiligstellen dat de nuttige last om de hechtwrijving te overwinnen bij een handmatige noodafdeling in elke situatie toereikend is (bijv. bij inscheren van de kabel) en de maximale bedrijfslast niet overschrijdt.
- Lastopnamemiddel met de maximale bedrijfslast belasten.

Neem evt. verdere aanwijzingen van de exploitant-eigenaar/installatieproducent in acht.

Rem controlen

- De lier zolang in trekrichting inschakelen tot de kabel gespannen is (lieren met twee snelheden op lage snelheid).
- Last ca. 1 m omhoog heffen of trekken.
- Lier stoppen:
De rem moet de kabel vasthouden.

Aanwijzing:

Onrust/wippen op het moment van stoppen kan ertoe leiden dat de zoemer "Overbelasting" afgaat of het waarschuwingsslucht brandt. Er is geen sprake van overbelasting, wanneer de zoemer of het waarschuwingsslicht uitgaat zodra het lastopnamemiddel weer rustig hangt.

- Last neerlaten resp. loslaten.
- Lier stoppen:
De rem moet de kabel vasthouden.

Wanneer de rem de kabel niet vasthoudt:

- NOODSTOP-toets indrukken.

- Bij falen van de NOODSTOP-toets de stroomvoorziening van de lier onderbreken (bijv. de stekker eruit trekken).
- De lier door een elektromonteur of geautoriseerd onderhoudspersoneel, zie '15.1 Geautoriseerd onderhoudspersoneel' op pagina 19) controleren en eventueel repareren laten.

Noodstopwerking controleren

- De lier in trekrichting laten lopen.
- NOODSTOP-toets indrukken.
De stroom moet worden uitgeschakeld.
De rem moet de kabel vasthouden.

Begrenzing verplaatsingstraject controleren**Bovenste eindschakelaar controleren:**

- Activeer de optionele bedrijfseindschakelaar door ertegenaan te rijden:
De opwaartse beweging moet worden gestopt.
De rem moet de kabel vasthouden.
De afdeling moet mogelijk zijn.
- Activeer de noodeindschakelaar met de hand:
De stroom moet worden uitgeschakeld.
De rem moet de kabel vasthouden.
Omhoog en omlaag bewegen mag niet mogelijk zijn.

Optioneel: onderste eindschakelaar controleren:

- Activeer de eindschakelaar met de hand of door er tegenaan te rijden.
De lier moet stoppen.
De rem moet de kabel vasthouden.
Een afdeling mag niet mogelijk zijn.

Einde van de test

- Resultaat van de controles schriftelijk in het logboek vastleggen.

Hefkrachtbegrenzing instellen

De gebruiker/eigenaar is verplicht de hefkrachtbegrenzing voor de inbedrijfstelling van de lier in te stellen (zie '15.5 Instelwerkzaamheden, Hefkrachtbegrenzing instellen' op pagina 21).

10 Bedienung/werking

De operator moet door de exploitant in de bediening van het apparaat geïnstrueerd en met het gebruik ervan belast zijn.

10.1 Controles voor aanvang van het werk

- Kabel op aangehechte vervuilingen controleren en evt. reinigen.
- Bedrijfsklare toestand controleren, zie '9.4 Inbedrijfstelling, Bedrijfsklare toestand vaststellen' op pagina 14.
- Werkingstest uitvoeren, zie '9.4 Inbedrijfstelling, Werkingstest' op pagina 14.
- Resultaat van de controles schriftelijk in het logboek vastleggen.

NL

10.2 Bedrijf



GEVAAR!

Risico op letsel door vallende voorwerpen!

De last of het lastopnamemiddel kan blijven haken en omlaag vallen!

- Last, lastopnamemiddel en kabel permanent observeren.
- Indien nodig met een uitkijkpost werken.
- Voor aanvang van het werk handsignalen afspreken.
- Wanneer geen zichtcontact mogelijk is, mobiele telefoon of radioverbinding voor de communicatie gebruiken.
- Niet onder zwevende lasten verblijven.
- Indien nodig de gevarenszone afschermen.

Risico op letsel door vallende voorwerpen!

De last of het lastopnamemiddel kan blijven haken en vallen!

- Niet onder zwevende lasten verblijven.
- Indien nodig de gevarenszone afschermen.
- Vastgehaakte of klemzittende lasten opvangen en beveiligen.

Risico op beknelling / kneuzingen! Risico op ingetrokken worden! Risico op letsel!

Aan de kabel en de lier!

- Terwijl de lier in gebruik is, de kabel niet aanraken. Niet aan de in- of uitloop van de lier grijpen.

Risico op beknelling / kneuzingen! Risico op letsel!

Aan de draaiende motoras!

- Controleer de stop op de motor (zie Afb. 16, positie 3) op correcte bevestiging.



GEVAAR!

Risico op letsel door vallende voorwerpen!

Overbelasting kan vernieling van de lier of van de veiligheidsinrichtingen tot gevolg hebben! Verkeerde werking kan het gevolg hiervan zijn!

- Let bij het beladen van het lastopnamemiddel op de maximaal toelaatbare last.
- Vastzittende of vastgeklemde lasten niet losmaken door met de lier te trekken.
- Lasten met lieren voor het heffen en neerlaten niet schuin trekken.
- Overmatige tipwerking (bijv. de motor korte impulsen geven) voorkomen.

Risico op letsel door vallende voorwerpen!

Binnendringend vocht kan de werking van de rem belemmeren!

- Controleer de stop op de motor (zie Afb. 16, positie 3) op correcte bevestiging.
- Reinig de producten die met de kabel in contact zijn, niet met een hogedrukreiniger.

Verbrandingsgevaar!

Motoren kunnen heet worden tijdens het bedrijf!

- Raak de motoren niet aan.

OPGELET!

Verkeerde kabellengte!

Schade aan het apparaat mogelijk!

De kabeleindverbinding resp. het lastopnamepunt of het kabeleinde mogen niet tot aan het product of de accessoires geraken of ingetrokken worden!

- Gebruik een voldoende lange kabel.
- Indien nodig: Observeer de kabel tijdens het bedrijf.

Beladen



GEVAAR!

Risico op letsel door vallende voorwerpen!

- Lasten tegen neerstorten beveiligen.
- Lasten tegen verdraaien beveiligen.

- Hoofdschakelaar op de locatie inschakelen of CEE-stekerverbinding tot stand brengen.
- NOODSTOP-toets naar rechts draaien, tot deze eruit springt: De besturing is ingeschakeld.
- Let bij het beladen op de maximaal toelaatbare last.

Aanwijzing:

Onrust/wippen op het moment van stoppen kan ertoe leiden dat de zoemer "Overbelasting" afgaat of het waarschuwingsscherm brandt. Er is geen sprake van overbelasting, wanneer de zoemer of het waarschuwingsscherm uitgaat zodra het lastopnamemiddel weer rustig hangt.

Lier bedienen

- De lier zolang in trekrichting inschakelen tot de kabel gespannen is (lieren met twee snelheden op lage snelheid).
- De lier in trekrichting inschakelen tot het lastopnamemiddel opgehesen of getrokken wordt.
- Last neerlaten resp. loslaten.
- Bij het neerlaten of loslaten het losse kabeleinde observeren.
- Bij herkenbare schade of lussen en knopen in de kabel onmiddellijk stoppen.
- Stoppen: bedieningsinrichting loslaten.

Wanneer de kabel/liet bij het loslaten van de bedieningselementen niet stopt:

- NOODSTOP-toets indrukken.
- Bij falen van de NOODSTOP-toets de stroomvoorziening van de lier onderbreken (bijv. de stekker eruit trekken).
- De lier door een elektromonteur of geautoriseerd onderhoudspersoneel, zie '15.1 Geautoriseerd onderhoudspersoneel' op pagina 19) controleren en eventueel repareren laten.

10.3 Noodafdeling

In de handbediening kan het lastopnamemiddel bij stroomuitval worden neergelaten.

**GEVAAR!****Risico op letsel door vallende voorwerpen!**

De lier mag alleen in noodgevallen in handbediening voor een afdaling worden gebruikt.

- Na elke noodafdeling moet de lier door TRACTEL Greifzug GmbH of door een hijswerktuigenwerkplaats die door TRACTEL Greifzug GmbH erkend is, gecontroleerd worden.
- Vervang beschadigde of versleten onderdelen.

Risico op letsel door vallende voorwerpen!

De centrifugaalrem kan bij overbelasting het gewicht niet remmen!

- Bij overbelasting de bedrijfsrem (veerrem) nooit handmatig openen.

De centrifugaalrem voorkomt bij handmatig neerlaten een te hoge afdalingsnelheid.

Zie Afb. 16.

- Hendel (1) uit de bevestiging nemen.
- Hendel (1) door de sleuf in de motorkap (2) in de rembeugel steken.
- Hendel omhoog trekken en vasthouden.
De last zakt omlaag.
- Voor het remmen de hendel loslaten.
- Na gebruik de hendel weer bevestigen.
- Stuur de lier ter reparatie naar de fabrikant of een hijswerktuigenwerkplaats.

10.4 Uitschakeling bij overbelasting

Lieren met mechanische of elektronische hefkrachtbegrenzing:

Bij lieren is de activering van de hefkrachtbegrenzing op de fabriek op de maximaal toegelaten overbelasting van 125 % van de maximale bedrijfslast ingesteld. Bij uitschakeling gaat een waarschuwingssignaal af of de waarschuwingsscherm brandt.

Ook het blijven haken van het lastopnamemiddel kan uitschakelen tot gevolg hebben.

Bij overbelasting:

- Maak de last kleiner tot er geen sprake meer is van overbelasting.

Bij blijven haken:

- Lier neerlaten resp. loslaten tot de last weer vrij hangt.
- Obstakel verwijderen voor de last weer wordt gehesen.

11 Te voorzien misbruik

Aanspraken op garantie of schadevergoeding bij persoonlijke en materiële schades zijn uitgesloten wanneer deze tot een of meerdere van de volgende oorzaken kunnen worden herleid:

- Oneigenlijk, niet toegelaten gebruik van het product, de toebehoren of tot het product behorende draagmiddelen.
- Vervoer van personen.
- Bedrijf met een vervuilde kabel.
- Bedrijf zonder eindschakelaar (lieren om te heffen/hijzen).
- Inzet in explosiegevaarlijke omgevingen of corrosieve omgeving.
- Niet nageleefde onderhoudsintervallen.
- Reiniging met een hogedrukreiniger.
- Onvakkundige montage, inbedrijfstelling, bediening, onderhoud en reparatie.
- Bedrijf met een elektrische aansluiting die niet voldoet aan de aanwijzingen en specificaties in deze handleiding.
- Gebrekkige bewaking van de delen van het apparaat en de toebehoren die aan slijtage onderhevig zijn.
- Onvakkundig en onbevoegd uitgevoerde reparaties.
- Gebruik van niet-originele reserveonderdelen.
- Veranderingen aan instellingen van veiligheidsinrichtingen.

- Achterwege gelaten metingen en controles voor de preventie van schade.
- Overbelasten van het product.
- Direct aanslaan van de last aan de trek- of draagkabel (kabels zonder kabelkous of haak).
- Rampen door inwerking van vreemde voorwerpen en overmacht.
- Voor schades die het gevolg zijn van ombouw en modificatie van producten en van het gebruik van niet originele onderdelen waarvoor de producent geen schriftelijke toestemming verleend heeft, stelt de producent zich niet aansprakelijk.
- Foutieve of beschadigde producten, accessoires en aanslagmiddelen mogen niet worden gebruikt.
- X-type serie:
Belasten van de lastloze zijde van de lier met meer dan 100 kg (bijv. door de voorspanning van de kabel).
- T-type serie:
Belasten van de lastloze zijde van de lier met meer dan 400 kg (bijv. door de voorspanning van de kabel).

12 Demontage



GEVAAR!

Risico op steek- en snijwonden!

Door draadbreken in de draadkabel kunnen draden uitsteken! Uitstekende draden kunnen door veiligheidshandschoenen snijden of steken!

- Geschikte zware leren handschoenen dragen bij werkzaamheden aan de draadkabel.
 - Draadkabel niet door de handen laten glijden.
-
- Lastopnamemiddelen neerzetten en evt. afnemen.
 - X-type serie:
Op toets OMLAAG drukken en de kabel naar boven uit de lier trekken.
 - T-type serie:
Op toets OMLAAG of OMHOOG drukken en de kabel naar boven uit de lier trekken.



GEVAAR!

Levensgevaar door elektrische schok!

- Schakel de lier spanningsvrij door de stekker eruit te trekken.
-
- Stekker eruit trekken.
 - Wikkel tijdens het neerlaten de kabels correct (1) op de haspels, zodat er geen lussen of knopen (2) in de kabel ontstaan die de kabel onbruikbaar maken, zie Afb. 5.
 - Bevestiging van de lier losmaken.
 - Omkeerrollen en lastopnamepunten demonteren.

13 Buiten bedrijf stellen

13.1 Werkonderbreking

Tijdens een pauze moet de werkplek als volgt beveiligd worden:

- Lastopnamemiddel neerzetten of de ruimte onder de aangehangen last afschermen.
- Stroomtoevoer onderbreken en tegen onbevoegd gebruik beveiligen.

13.2 Tijdelijk stilzetten

Wanneer de lier tijdelijk gedurende meerdere dagen of weken niet wordt gebruikt maar wel op de locatie gemonteerd blijft, moet de lier als volgt worden beveiligd:

- Lastopnamemiddel neerzetten of de ruimte onder de aangehangen last afschermen.
- Evt. lastopnamemiddel tegen pendelbewegingen beveiligen (bijv. aan gebouw vastbinden).
- Kabel zonder last buiten de reikwijdte van personen omhoog trekken.
- Stroomtoevoer onderbreken en tegen onbevoegd gebruik beveiligen.

13.3 Permanent buiten werking stellen

- Product en toebehoor demonteren (zie '12 Demontage' op pagina 18).
- Product aan de buitenkant schoonmaken en opslaan.

14 Transport en opslag

14.1 Transport

Algemene transportaanwijzingen

Vermijd beschadigingen tijdens het vervoer.

Bij zware componenten geschikte transporthulpmiddelen gebruiken of de verplaatsing met een tweede persoon uitvoeren.

Lier

- Op de locatie kan de lier aan de draaggreep getransporteerd worden, zie Afb. 1. Evt. transport met een tweede persoon uitvoeren.
- Zware lieren kunnen met geschikte transporthulpmiddelen aan ringschroeven of ringmoeren worden getransporteerd.
- Voor het transport met een voertuig de transportbox gebruiken. De lier of de transportbox met spanbanden beveiligen.

Kabels

- De kabels tegen direct zonlicht, chemicaliën, verontreinigingen en mechanische beschadigingen beschermen.
- Kabels indien mogelijk op de haspel transporteren.
- Opgedorde kabels zonder haspel met een strop optillen en transporteren.
- Belasting door het eigengewicht zo gering mogelijk houden.

14.2 Opslag

Algemene opslagvoorwaarden:

- droog (maximaal 75% relatieve luchtvochtigheid)
- stofvrij
- gelijkmatige omgevingstemperatuur

Opslagvoorwaarden voor kabels:

- Licht ingevet
- Contact met chemicaliën vermijden (bijv. accuzuur).
- Zonder mechanische knel-, druk- of trekbelasting

15 Onderhoud/service

15.1 Geautoriseerd onderhoudspersoneel



GEVAAR!

Risico op een val! Risico op letsel door vallende voorwerpen!

Levensgevaar door foutief uitgevoerde reparatie- en onderhoudswerkzaamheden!

Reparatie- en onderhoudswerkzaamheden die het openen van het product noodzakelijk maken, mogen alleen door de volgende geautoriseerde instanties worden uitgevoerd:

- de TRACTEL Greifzug GmbH
- werkplaatsen voor heftoestellen die door de TRACTEL Greifzug GmbH geautoriseerd zijn.
- Onderhoudspersoneel dat door de TRACTEL Greifzug GmbH goedgekeurd is.

15.2 Noodzakelijke controles

Voor de jaarlijkse veiligheidsinspectie en buitengewone controles is een schriftelijk testcertificaat noodzakelijk. De inspecties/controles moeten in het meegeleverde logboek worden geregistreerd.

Voor ieder gebruik

De correcte toestand moet voor elk gebruik gecontroleerd worden, zie '9.4 Inbedrijfstelling' op pagina 14.

Jaarlijkse veiligheidscontrole

De veiligheidscontrole moet jaarlijks worden uitgevoerd.

De veiligheidscontrole mag alleen door geautoriseerd onderhoudspersoneel worden uitgevoerd, zie '15.1 Geautoriseerd onderhoudspersoneel' op pagina 19. Afhankelijk van de bedrijfsomstandigheden (bijv. inzet in een sterk vervuilde omgeving) kan een tussentijdse controle noodzakelijk zijn.

Bij gebruik van een verdraaiingsarme kabel:

Afhankelijk van de gebruiks- en omgevingsomstandigheden (aangehangen last, vuil aan de kabel etc.) kan de aandrijfschijf van de lier voortijdig slijten. De aandrijfschijf moet bij overmatige slijtage vervangen worden.

Wij adviseren een fabriekscontrole door de TRACTEL Greifzug GmbH.

Gehele revisie

Voor de gehele revisie gelden de volgende uiterste termijnen (waarbij de als eerste bereikte limiet maatgevend is):

- 250 bedrijfsuren bij apparaten met 12 of 18 m/min kabelsnelheid,
- 500 bedrijfsuren bij apparaten met 6 of 9 m/min kabelsnelheid.
- 10 jaar na productie

Nadat een gehele revisie uitgevoerd is, begint de termijn opnieuw.

De lier moet door de TRACTEL Greifzug GmbH of een hefwerktuig-werkplaats die door de TRACTEL Greifzug GmbH geautoriseerd is, volledig gereviseerd worden.

Neem direct contact op met de TRACTEL Greifzug GmbH of uw leverancier.

Buitengewone inspectie

Na elke noodafdeling in handmatig bedrijf moet de lier door TRACTEL Greifzug GmbH of door een hefwerktuigenwerkplaats die door TRACTEL Greifzug GmbH erkend is, gecontroleerd worden (zie '10.3 Noodafdeling op pagina 17).

Beschadigde of versleten onderdelen moeten worden vervangen.

15.3 Aflezen van de bedrijfsurenteller

De bedrijfsurenteller bevindt zich in de klemmenkast van de lier. De bedrijfsurenteller telt die tijden als bedrijfsuren, waarin de lier in werking is (OMHOOG- of OMLAAG beweging).



GEVAAR!

Levensgevaar door elektrische schok!

- Schakel de lier spanningsvrij door de stekker eruit te trekken.
- Stekker eruit trekken.

- Klemmenkast openen.
- Bedrijfsurenteller aflezen.
- Bedrijfsuren in het logboek noteren.
- Klemmenkast sluiten.

15.4 Service en onderhoud

Interval	Werk	Uitvoering
dagelijks	<ul style="list-style-type: none"> - Bevestiging van de lier controleren. - Kabel op aanhechtende verontreiniging controleren 	Operator
wekelijks	- Kabel controleren, zie pagina 20	Operator
	- Aansluitkabel en besturingskabel controleren	
iedere 50 bedrijfsuren	- Buitenveranding van de aandrijschijf smeren (alleen serie X 3050), zie pagina 21	Operator
1 x per jaar	- Veiligheidscontrole van de lier	Geautoriseerd onderhoudspersoneel
250 ¹⁾ / 500 ²⁾ bedrijfsuren / na 10 jaar ³⁾	- Algehele revisie van de lier	TRACTEL Greifzug GmbH of een werkplaats voor hijswerktuigen die door TRACTEL Greifzug GmbH geautoriseerd is
indien nodig	Zie pagina 20:	Door exploitant aangewezen en geïnstrueerde persoon
	<ul style="list-style-type: none"> - Kabel reinigen - Kabel smeren - Kabel vervangen 	
	- Kabel vervangen	Vakkundige elektromonteur

¹⁾ Apparaten met 12 of 18 m/min kabelsnelheid

²⁾ Apparaten met 6 of 9 m/min kabelsnelheid

³⁾ waarbij de als eerste bereikte limiet maatgevend is

Kabel



GEVAAR!

Risico op steek- en snijwonden!

Door draadbreken in de draadkabel kunnen draden uitsteken! Uitstekende draden kunnen door veiligheidshandschoenen snijden of steken!

- Geschikte zware leren handschoenen dragen bij werkzaamheden aan de draadkabel.
- Draadkabel niet door de handen laten glijden.

Reinigen

Verontreinigde plekken indien nodig droog afborstelen. Evt. opnieuw smeren.

In een sterk vervuilde omgeving hulpborstels voor de kabelreiniging bij de lier gebruiken.

Smeren



GEVAAR!

Risico op een val en gevaar door omlaag vallende voorwerpen door gladde of beschadigde kabels, uitvallen van de rem en fouten of storingen!

Ernstig of dodelijk letsel mogelijk!

- De kabels niet met disulfidehoudende smeestoffen (bijv. Molycote®) smeren.
- Gebruik multifunctioneel vet of olie.
- Het reinigen van de kabel of van kabelgeleidende producten met een hogedrukreiniger is verboden! Binnendringend vocht leidt tot storingen en schade aan de motor, rem en elektrische uitrusting.
- Vuil aan de kabel leidt tot voortijdige slijtage of tot het kapotgaan van kabel, aanslagmiddelen en lier.

Vervangen

Vervang de kabel meteen, wanneer de slijtagegrens volgens Tabel 7 bereikt is (volgens ISO 4309 en DIN 15020, blad 2) of typische kabelgebreken aanwezig zijn, zie Afb. 13. Bepaling van de kabeldiameter: zie Afb. 9.

Nominale diameter van de kabel	Constructie van de kabel			Minimale toegelaten kabeldiameter
	Verdraaiingsarm	5 x 19	5 x 26	
[mm]	Aantal zichtbare draadbreken in de buitenaders op een lengte van 30 x de nominale diameter van de kabel			[mm]
6		8		5,9
8	10	8	11	7,5
9	10	8		8,5
10	8		11	9,3
14	10		11	13,1

Tabel 7

Uitvoering: Zie '12 Demontage' op pagina '18 en '9.3 Montage' op pagina 11.

Kabelpunt vervangen

De kabel naar de TRACTEL Greifzug GmbH of een door de TRACTEL Greifzug GmbH geautoriseerde hefwerktuigwerkplaats sturen en de kabelpunt laten vervangen.

Toevoer- en besturingskabel

Bij beschadigingen aan de isolatie resp. aan de kabelverbindingen moeten de kabels door een elektromonteur worden vervangen.

Lier



GEVAAR!

Risico op een val en gevaar door omlaag vallende voorwerpen door gladde of beschadigde kabels, uitvallen van de rem en fouten of storingen!

Ernstig of dodelijk letsel mogelijk!

- Het reinigen van de kabel of van kabelgeleidende producten met een hogedrukreiniger is verboden! Binnen-dringend vocht leidt tot storingen en schade aan de motor, rem en elektrische uitrusting.
- Vuil aan de kabel leidt tot voortijdige slijtage of tot het kapotgaan van kabel, aanslagmiddelen en lier.

Zie aparte onderhoudshandleiding voor geschoold onderhoudspersoneel.

Motor, transmissie en rem

Motor, transmissie en rem zijn onderhoudsvrij tot de toegelaten aantallen bedrijfsuren bereikt zijn (algemene revisie).

- Bij sterke verontreiniging van buiten schoonmaken.
- Houd de rem olie- en vetvrij.

Buitenvertanding van de aandrijfschijf smeren (alleen serie X 3050)

Specificatie van het vet, zie '4.4 Bedrijfsmiddelen' op pagina 8.

- Vetpers tegen smeernippel (1) zetten, zie Afb. 15.
- Smeernippel met 3-5 slagen (ca. 5 cm³) smeren.
- Lier gedurende ca. twee seconden in OMHOOG- of OM-
LAAG-richting laten lopen.
- Smeernippel met 3-5 slagen (ca. 5 cm³) smeren.

15.5 Instelwerkzaamheden

Hefkrachtbegrenzing instellen



GEVAAR!

Risico op letsel door vallende voorwerpen!

Ernstig of dodelijk letsel mogelijk!

- De instelling van de hefkrachtbegrenzing mag alleen door geautoriseerd personeel van de installatiefabrikant of door de TRACTEL Greifzug GmbH worden uitgevoerd.
- Let op de gegevens in deze handleiding.
- Let bij speciale uitvoeringen op de gegevens in de bestellingsspecificatie.

Lieren vanaf 1000 kg draagvermogen hebben een mechanische hijskrachtbegrenzing. Lieren tot 1000 kg draagvermogen kunnen optioneel worden voorzien van een elektronische of mechanische hefkrachtbegrenzing.

Lieren met een mechanische hefkrachtbegrenzing kunnen standaard niet op een overbelasting ingesteld worden die lager is dan 90 % van de maximale bedrijfslast van de lier.

Bij lieren is de activering van de hefkrachtbegrenzing op de fabriek op de maximaal toegelaten overbelasting van 125 % van de maximale bedrijfslast ingesteld.

Voor het instellen van de hefkrachtbegrenzing wordt de maximale overbelasting verhoogd.

Overbelasting = maximale bedrijfslast + 25 %

Mechanische hefkrachtbegrenzing instellen

Serie X 300 t/m X 1530

Zie Afb. 17.

- Lastopnamemiddel met de berekende overbelasting belasten.
- Last hijsen.
De hefkrachtbegrenzing moet aanspreken en de opwaartse beweging moet binnen de eerste 10 cm uitschakelen.

Wanneer de hefkrachtbegrenzing niet wordt geactiveerd:

- Afsluitstop (1) verwijderen.
- Messing schroef (2) losdraaien.
- Inbussleutel 8 mm, 150 mm lang, in de instelschroef (3) steken.
- Instelschroef (3) losdraaien tot de hefkrachtbegrenzing wordt geactiveerd.
- Overbelasting op de vloer neerzetten.
- Overbelasting opnieuw opheffen.

De hefkrachtbegrenzing moet geactiveerd worden. Anders het proces herhalen.

Wanneer het lastopnamemiddel met de maximale bedrijfslast beladen wordt, mag de hefkrachtbegrenzing niet reageren.

- Lastopnamemiddel met de maximale bedrijfslast belasten.
- Opheffen tot het lastopnamemiddel vrij zweeft.

De hefkrachtbegrenzing mag bij het opheffen niet geactiveerd worden.

Wanneer de hefkrachtbegrenzing wordt geactiveerd:

- Last op de vloer neerzetten.
- Inbussleutel 8 mm, 150 mm lang, in de instelschroef (3) steken.
- Instelschroef (3) een halve omwenteling aandraaien.
- Last opnieuw hijsen.

De hefkrachtbegrenzing mag bij het opheffen niet geactiveerd worden.

Wanneer instelschroef (3) verstelt werd, vervolgens de controle met de maximale overbelasting herhalen.

- Lastopnamemiddel met de berekende overbelasting belasten.
- Last hijsen.
De hefkraftbegrenzing moet aanspreken en de opwaartse beweging moet binnen de eerste 10 cm uitschakelen.
- Messing schroef (2) vast draaien.
- Afsluitstop (1) inzetten en met rode zegellak beveiligen.

Serie X 3050

Zie Afb. 18.

- Lastopnamemiddel met de berekende overbelasting belasten.
- Last hijsen.
De hefkraftbegrenzing moet aanspreken en de opwaartse beweging moet binnen de eerste 10 cm uitschakelen.

Wanneer de hefkraftbegrenzing niet wordt geactiveerd:

- Afsluitstop (1) verwijderen.
- Contraoer (5) met steeksleutel losdraaien.
- Inbussleutel 8 mm, 150 mm lang, in de instelschroef (3) steken.
- Instelschroef (3) aanhalen tot de hefkraftbegrenzing reageert.
- Overbelasting op de vloer neerzetten.
- Overbelasting opnieuw opheffen.
De hefkraftbegrenzing moet geactiveerd worden. Anders het proces herhalen.

Wanneer het lastopnamemiddel met de maximale bedrijfslast beladen wordt, mag de hefkraftbegrenzing niet reageren.

- Lastopnamemiddel met de maximale bedrijfslast belasten.
- Opheffen tot het lastopnamemiddel vrij zweeft.
De hefkraftbegrenzing mag bij het opheffen niet geactiveerd worden.

Wanneer de hefkraftbegrenzing wordt geactiveerd:

- Last op de vloer neerzetten.
- Inbussleutel 8 mm, 150 mm lang, in de instelschroef (3) steken.
- Instelschroef (3) een halve omwenteling aandraaien.
- Last opnieuw hijsen.
De hefkraftbegrenzing mag bij het opheffen niet geactiveerd worden.

Wanneer instelschroef (3) verstelt werd, vervolgens de controle met de maximale overbelasting herhalen.

- Lastopnamemiddel met de berekende overbelasting belasten.
- Last hijsen.
De hefkraftbegrenzing moet aanspreken en de opwaartse beweging moet binnen de eerste 10 cm uitschakelen.
- Contraoer (5) met steeksleutel aanhalen.
- Afsluitstop (1) inzetten en met rode zegellak beveiligen.

Elektronische hefkraftbegrenzing instellen (optioneel)



GEVAAR!

Levensgevaar door elektrische schok!

- Lier voor opening van de klemmenkast spanningsvrij maken door de stekker eruit te trekken.
- Tijdens de instellingshandelingen geen spanning voeren delen aanraken.
- Evt. spanning voerende componenten afdekken.

Risico op letsel door vallende voorwerpen!

Ernstig of dodelijk letsel mogelijk!

- De instelling van de hefkraftbegrenzing mag alleen door geautoriseerd personeel van de installatiefabrikant of door de TRACTEL Greifzug GmbH worden uitgevoerd.
- Let op de gegevens in deze handleiding.

De elektronische hefkraftbegrenzing reageert op de stroomopname van de motor. Lieren met twee snelheden zijn van twee elektronische hefkraftbegrenzings voorzien. De instelling moet voor beide hefkraftbegrenzings en snelheden verricht worden: De overbelasting wordt herkend bij het hijsen.

De instelling op een lagere limiet, bijv. vanwege een lager draagvermogen van de aanslagpunten, mag alleen door bevoegd onderhoudspersoneel worden verricht.

Voorinstelling

Zie Afb. 19.

- Zegellak bij de regelaars (1) en (2) verwijderen.
- Bovenste regelaar (1) voor de nominale stroom tot de aanslag naar rechts draaien.
- Onderste regelaar (2) voor de startbewaking tot de aanslag naar rechts draaien.

Overbelasting instellen

- Lastopnamemiddel met de berekende overbelasting belasten.
- Tijdens het hijsen van de overbelasting bovenste regelaar (1) naar links draaien tot de lier stopt.
- Overbelasting neerlaten tot de kabel ontlast is.
- Overbelasting opnieuw ophijsen: de lier moet stoppen zodra zij onder belasting is.

Startoverbrugging instellen

- Lastopnamemiddel met de nominale last belasten.
- Nominale last van de bodem heffen.
- Onderste regelaar (2) tot de aanslag naar links draaien.
- OMHOOG-toets indrukken.
De lier moet meteen stoppen.

Aanwijzing:

Na ieder stoppen van de lier tijdens deze instelling kort op de OMLAAG-toets drukken zodat de opwaartse beweging weer wordt vrijgegeven.

- Onderste regelaar (2) iets naar rechts draaien.
- OMHOOG-toets indrukken.
- Proces herhalen tot het heffen van de nominale last mogelijk is.
- Beide regelaars met zegellak beveiligen.

15.6 Reserveonderdelen bestellen

Reserveonderdelenlijsten zijn verkrijgbaar bij uw leverancier of direct van de TRACTEL Greifzug GmbH.

Noodzakelijke gegevens voor de bestelling vindt u op de typeplaatjes van de afzonderlijke componenten, zie 'Typeplaatjes en aanwijzingsborden/ Grenzen aan het gebruik' op pagina 7.

Noodzakelijk gegevens zijn bijv.:

Kabelaandrijving: Artikel-nr., tirak™-type/Tractel®-type, kabeldiameter, productienr.

Motor: Artikel-nr., motortype

Rem: Artikel-nr., type en spoelspanning van de rem

Elektrische besturing: Nummer van het elektrische schema

16 Afvalverwijdering en milieubescherming

Het apparaat werd uit recyclebaar materiaal vervaardigd. Wanneer het apparaat later wordt verschroot, moet het apparaat volgens de toepasselijke voorschriften als afval worden verwijderd. Binnen de Europese Unie geldt de nationale implementatie van de richtlijn voor afvalstoffen 2008/98/EG.

Volgens richtlijn 2002/96/EG, in Duitsland geïmplementeerd via het 'Elektro- und Elektronikgerätegesetz' (ElektroG), is de fabrikant verplicht bepaalde elektrische en elektronische componenten terug te nemen en af te voeren. De componenten die hierdoor betroffen zijn, worden op het typeplaatje met het volgende symbool gekenmerkt:



17 Opsporen van fouten/Verhelpen van storingen

**GEVAAR!**

Risico op letsel door vallende voorwerpen!

Het lastopnamemiddel kan kantelen wanneer het zich vasthaakt.

- Lier onmiddellijk stoppen
- Oorzaak vaststellen en fout verhelpen.

Storing	
Oorzaak	Oplossing
De motor start maar de kabel beweegt niet.	
Kabelopstopping in de lier door beschadigde of verkeerde kabel. Belemmering in de kabeluitgang.	<ul style="list-style-type: none"> - Last opvangen (bijv. met spieklem of takel). - Kabel voor en achter de lier doorsnijden. - Lier ter reparatie opsturen. - Indien aanwezig reservelier met nieuwe kabel installeren.
De last is blijven haken of is vastgebonden.	<ul style="list-style-type: none"> - Last voorzichtig bevrijden resp. losmaken. - Kabel, aanslagmiddel en lastopnamemiddel op veilige werking controleren.
Lier is zonder werking.	
Besturing niet ingeschakeld.	<ul style="list-style-type: none"> - Besturing inschakelen.
NOODSTOP-toets ingedrukt.	<ul style="list-style-type: none"> - NOODSTOP-toets ontgrendelen.
NOOD-eindschakelaar geactiveerd.	<ul style="list-style-type: none"> - Daal af in de noodmodus tot de eindschakelaar vrijkomt.
NOOD-eindschakelaar defect.	<ul style="list-style-type: none"> - Eindschakelaar door een vakbekwame elektromonteur laten controleren of vervangen.
Netvoeding onderbroken.	<ul style="list-style-type: none"> - Oorzaak vaststellen en fout verhelpen.
Voedingskabel tussen netaansluiting en besturing onderbroken.	<ul style="list-style-type: none"> - Alle kabels en aansluitingen controleren en evt. repareren.
Stroomtoevoer verkeerd aangesloten resp. nulgeleider ontbreekt.	<ul style="list-style-type: none"> - Aansluiting door een elektromonteur laten corrigeren. - Evt. door de fabrikant laten ombouwen.
Veiligheidsuitschakeling na oververhitting wegens gebrekkige motorkoeling.	<ul style="list-style-type: none"> - Reinig de motorkap.
Veiligheidsuitschakeling door oververhitting wegens te hoge of te lage spanning.	<ul style="list-style-type: none"> - Onder last de spanning en de stroomopname van de motor door een vakbekwame elektromonteur laten meten. - Evt. leidingdoorsneden verhogen.
Twee fasen in de toevoerleiding zijn verwisseld. De ingebouwde bescherming tegen verwisseling van de fasen blokkeert de besturing.	<ul style="list-style-type: none"> - Fasewisselaar in stekker 180° draaien, zie Afb. 21.
De rem opent niet (geen klikken bij aan- en uitschakelen) omdat toevoerleiding, remspoel of gelijkrichter defect zijn.	<ul style="list-style-type: none"> - Voedingskabel, remspoel, gelijkrichter door een elektromonteur laten controleren en repareren resp. vervangen.
De rem opent niet (geen klikken bij aan- en uitschakelen) omdat de remrotor versleten is.	<ul style="list-style-type: none"> - Lier ter reparatie naar de fabrikant of een werkplaats voor hijswerktuigen sturen.

Storing	
Oorzaak	Oplossing
Aangehangen last daalt in stilstand langzaam af.	
Defecte of vervuilde bedrijfsrem (veerdrukrem) aan de lier.	<ul style="list-style-type: none"> – Aangehangen last neerzetten. – Lier ter reparatie naar de fabrikant of een werkplaats voor hijswerktuigen sturen.
De last wordt niet geheven/getrokken hoewel de kabel neergelaten/geviert kan worden.	
De last is achter een obstakel blijven hangen.	<ul style="list-style-type: none"> – Laat de last voorzichtig omlaag bewegen en verwijder het obstakel. – Kabel, aanslagmiddel en lastopnamemiddel op veilige werking controleren.
Kabel is zonder last na het neerlaten resp. vieren helemaal uit de lier uitgerold.	<ul style="list-style-type: none"> – Kabel weer laten inlopen. – Oorzaak vaststellen. – Herhaling vermijden, bijv. door gebruik van een langere kabel.
Fout in OMHOOG-besturingscircuit van de lier.	<ul style="list-style-type: none"> – Aansluitingen, bedrading en relais door een elektromonteur laten controleren en evt. laten repareren.
Eindschakelaar OMHOOG defect of geactiveerd.	<ul style="list-style-type: none"> – Laat de last neer tot de eindschakelaar vrij komt. – Eindschakelaar controleren en evt. vervangen.
Ontbrekend motorvermogen door defecte startcondensator (1-fase motor).	<ul style="list-style-type: none"> – Startcondensator door een elektromonteur laten controleren en indien nodig vervangen.
Defecte centrifugaalkrachtschakelaar (startcondensator overbelast, 1-fase motor).	<ul style="list-style-type: none"> – Stroom op de hulpwikkeling in de klemmenkast meten. Reparatie alleen door de TRACTEL Greifzug GmbH.
Slijtage van de aandrijfschijf	<ul style="list-style-type: none"> – Lier zo snel mogelijk vervangen en door de TRACTEL Greifzug GmbH of een geautoriseerde werkplaats voor heftoestellen laten controleren/repareren.
Motor maakt een sterk bromgeluid of de kabelaandrijving knarst, hoewel OMHOOG en OMLAAG beweging mogelijk is.	
Oververhitting door ontbrekende motorkoeling.	<ul style="list-style-type: none"> – Reinig de motorkap.
Oververhitting wegens te hoge of te lage spanning.	<ul style="list-style-type: none"> – Onder last de spanning en de stroomopname van de motor door een vakbekwame elektromonteur laten meten. – Evt. leidingdoorsneden verhogen.
OPGELET! Vuil in de kabelaandrijving Kabel en kabelaandrijving kunnen worden beschadigd.	<ul style="list-style-type: none"> – Lier zo snel mogelijk vervangen en door de TRACTEL Greifzug GmbH of een geautoriseerde werkplaats voor hijswerktuigen laten controleren/repareren.
De last wordt niet meergelaten/los gelaten hoewel de kabel geheven/getrokken kan worden.	
De last zit op een obstakel of is achter een obstakel blijven hangen.	<ul style="list-style-type: none"> – Laat de last voorzichtig omhoog bewegen en verwijder het obstakel. – Bedrijfsveiligheid van kabel, aanslagmiddel en lastopnamemiddel controleren.
Fout in OMLAAG-besturingscircuit van de lier.	<ul style="list-style-type: none"> – NOOD-afdeling door losmaken van de rem, zie '10.3 Noodafdeling' op pagina 17. – Aansluitingen, bedrading en relais door een elektromonteur laten controleren en evt. laten repareren.

18 EG-Conformiteitverklaring (uittreksel)



Bij deze verklaar de producent,

TRACTEL Greifzug GmbH
Scheidtbachstraße 19–21 51469 Bergisch Gladbach

vertegenwoordigd door

Dipl.-Ing. Denis Pradon
Directeur

CONFORMITEITSVERKLARING

dat de aangeduide uitrusting aan de technische veiligheidsvoorschriften voldoet, die voor deze uitrusting van toepassing waren op het tijdstip van marktintroductie in de EUROPESE UNIE door de producent.

TOEGEPASTE NORMEN EN RICHTLIJNEN:

2006/42/EC; 2006/95/EC; 2004/108/EC

EN 14492-1; EN ISO 12100-1; EN ISO 12100-2; EN ISO 14121-1; EN ISO 13849-1; EN 60204

AANDUIDING

Kabellier

TOEPASSING

Materiaaltransport

TYPE

X 300, X 400, X 500, X 800, X 1020, X 1230, X 1530, X 3050, T 1000, T 1020

SERIENUMMER

Bouwjaar:

vanaf 01.2010

Verantwoordelijke voor de documentatie:

Dipl.-Ing. Denis Pradon, tel.: +49 (0) 2202 1004 0

Bergisch Gladbach, datum



www.tractel.com



F TRACTEL S.A.S.

RN 19 Saint-Hilaire-sous-Romilly • B.P. 38
10102 Romilly-sur-Seine
Tel. +33 / 3 / 25.21.07.00 • Fax +33 / 3 / 25.21.07.11

L TRACTEL Secalt S.A.

3, Rue du Fort Dumoulin • B.P. 1113
1011 Luxembourg
Tel. +352 / 43.42.421 • Fax +352 / 43.42.42.200

D TRACTEL Greifzug GmbH

Scheidtbachstr. 19-21 • 51469 Bergisch Gladbach
Postfach 20 04 40 • 51434 Bergisch Gladbach
Tel. +49 / 2202 / 1004-0 • Fax +49 / 2202 / 1004-70

GB TRACTEL UK Ltd.

Old Lane, Halfway
Sheffield S20 3GA
Tel. +44 / 114 / 248.22.66 • Fax +44 / 114 / 247.33.50

E TRACTEL Ibérica S.A.

Carretera del Medio 265
08907 L'Hospitalet (Barcelona)
Tel. +34 / 93 / 335.11.00 • Fax +34 / 93 / 336.39.16

L TRACTEL Benelux B.V.

B Paardeweide 38
4824 EH Breda
DK Tel. +31 / 76 / 543.51.35
NL Fax +31 / 76 / 543.51.36

P LUSOTRACTEL LDA

Alto do Outeiro Armazém 1 Trajouce
2785-086 S. Domingos de Rana
Tel. +351 / 21 / 444.20.50 • Fax +351 / 21 / 445.19.24

USA TRACTEL Inc.

51, Morgan Dr.
Norwood MA 02062
Tel. +1 / 781 / 401.32.88 • Fax +1 / 781 / 826.36.42

I TRACTEL Italiana S.p.A.

Viale Europa 50
20093 Cologno Monzese (MI)
Tel. +39 / 02 / 254.47.86 • Fax +39 / 02 / 254.71.39

PL TRACTEL Polska Sp. z o.o.

ul. Bysławska 82
04-993 Warszawa
Poland
Tel. +48 22 300 12 31 • Fax +48 22 300 15 59

RUS TRACTEL RUSSIA O.O.O

ul. Petrovka, 27
Moscow
107031 Russia
T : +7 495 989 5135 – Fax : +7 495 589 3932

CDN TRACTEL Ltd.

1615 Warden Avenue Scarborough
Ontario M1R 2T3
Tel. +1 / 416 / 298.88.22 • Fax +1 / 416 / 298.10.53

SGP TRACTEL Singapore Plc.

50 Woodlands Industrial Parc E
Singapore 757824
Tel. +65 / 757 / 3113 • Fax +65 / 757 / 3003

UAE TRACTEL Secalt S.A. Dubai Branch

P.O. Box 25768
Dubai / United Arab Emirates
Tel. +971 / 4 / 343.07.03 • Fax +971 / 4 / 343.07.12

CN TRACTEL China

Secalt Tractel Mechanical Equip. Tech. Co. Ltd.
Unit A09
399 Cai Lun Road
Zhangjiang
Hi-Tech Park
SHANGHAI 201203
T : 86 21 632 25 570 - Fax : 86 21 535 30 982

MEX TRACTEL Mexico S.A. de C.V.

Galileo #20 oficina 504
Colonia Polanco. CP 11560
Mexico DF
T : +52 1 55 67218718 y 19 – Fax : +52 1 55 67218718

04/2015