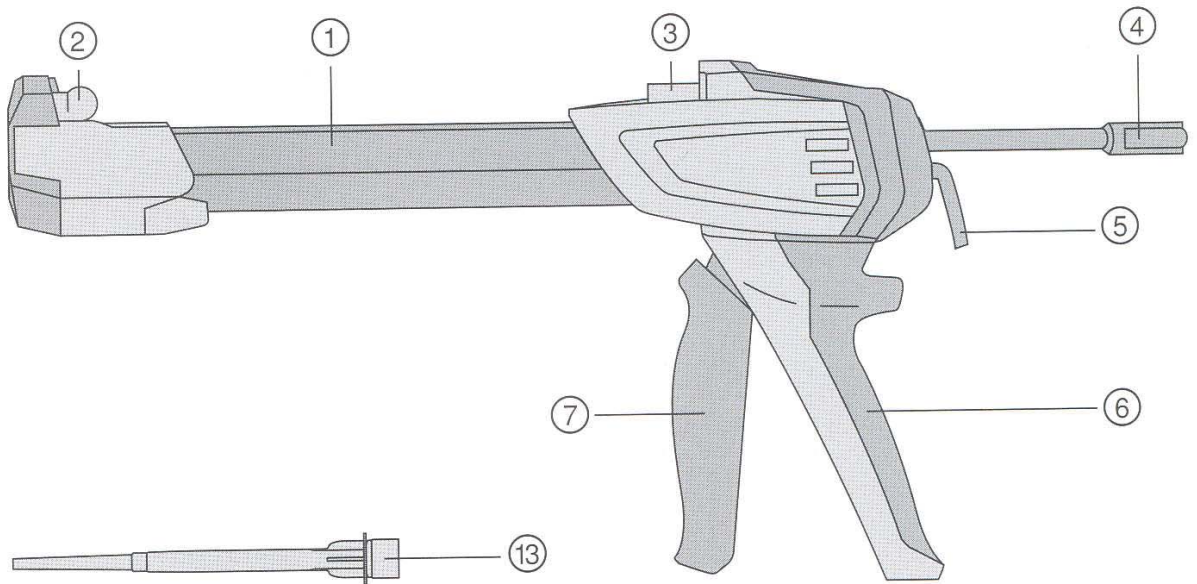


HILTI

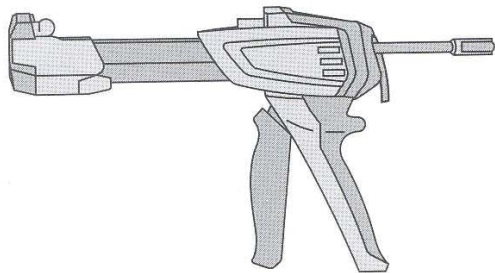
HDM 330/500

Bedienungsanleitung	de
Operating instructions	en
Mode d'emploi	fr
Istruzioni d'uso	it
Manual de instrucciones	es
Manual de instruções	pt
Gebruiksaanwijzing	nl
Brugsanvisning	da
Bruksanvisning	sv
Bruksanvisning	no
Käyttöohje	fi
Οδηγίες χρήσεως	el
Használati utasítás	hu
Instrukcja obsługi	pl
Инструкция по эксплуатации	ru
Návod k obsluze	cs
Návod na obsluhu	sk
Upute za uporabu	hr
Navodila za uporabo	sl
Ръководство за обслужване	bg
Instrucțiuni de utilizare	ro
Kullanma Talimatı	tr
دليل الاستعمال	ar
Lietošanas pamācība	lv
Instrukcija	lt
Kasutusjuhend	et
ІНСТРУКЦІЯ З ЕКСПЛУАТАЦІЇ	uk
Пайдалану бойынша басшылық	kk
取扱説明書	ja
사용설명서	ko
操作說明書	zh
操作说明书	cn

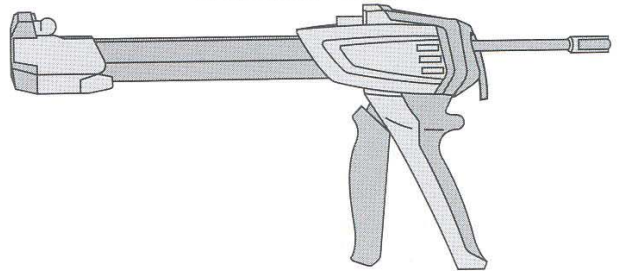


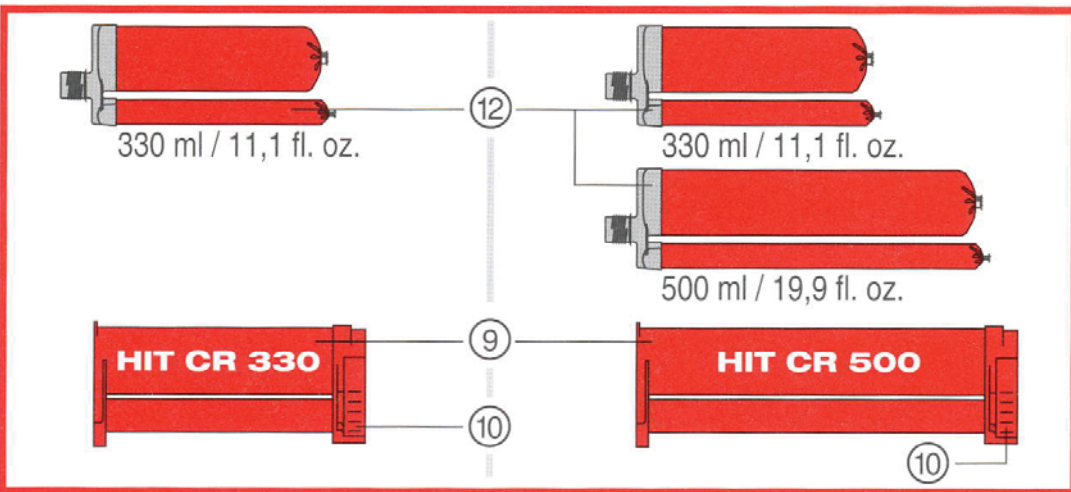
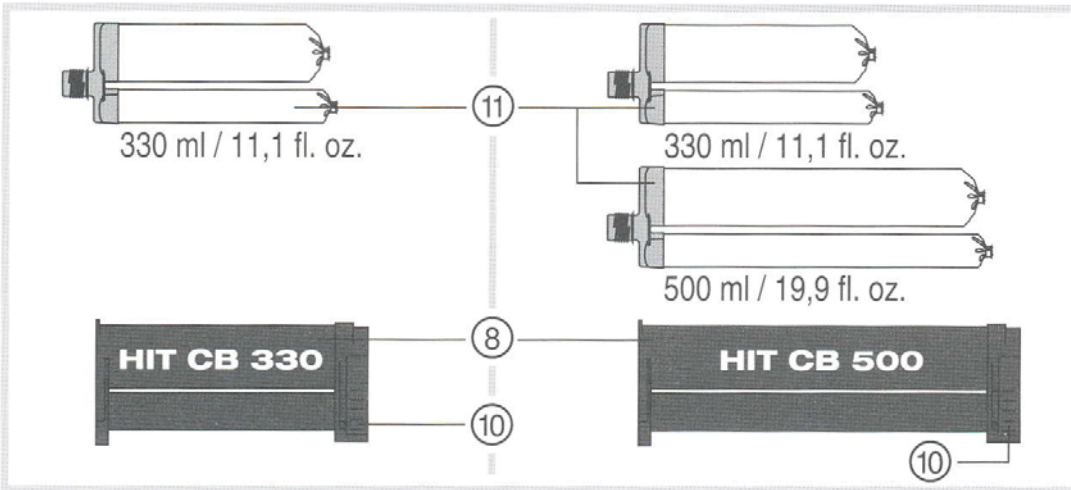
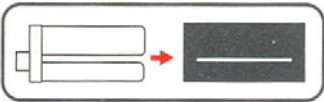
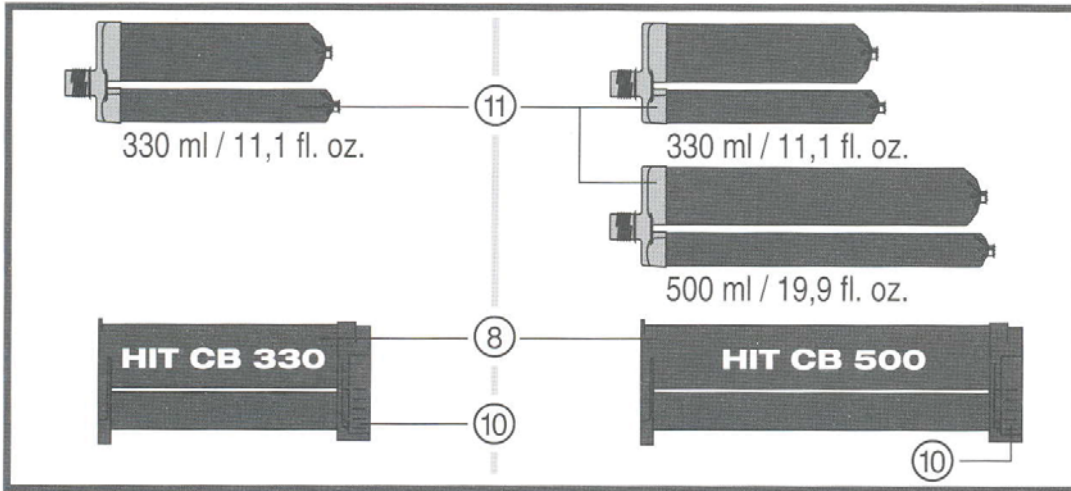


HDM 330

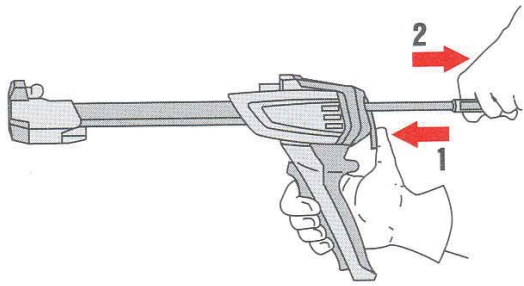


HDM 500

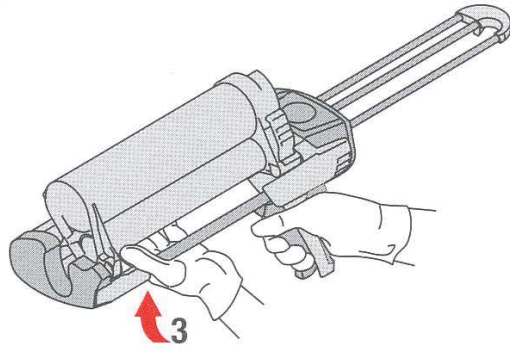




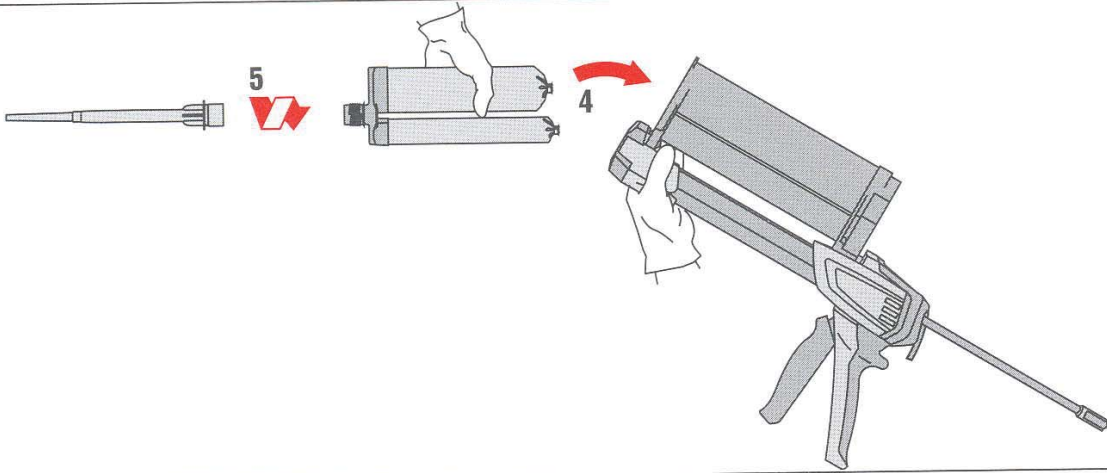
3



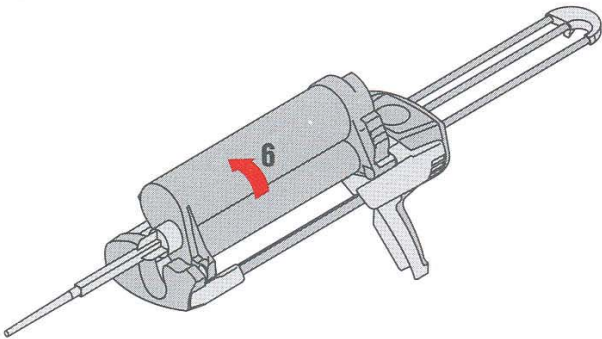
4



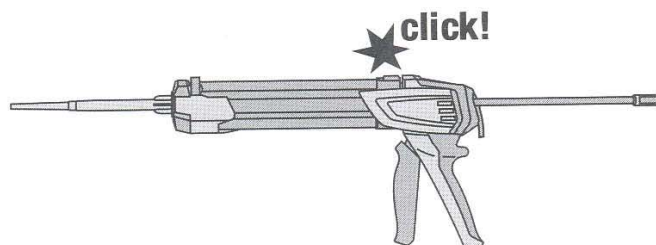
5



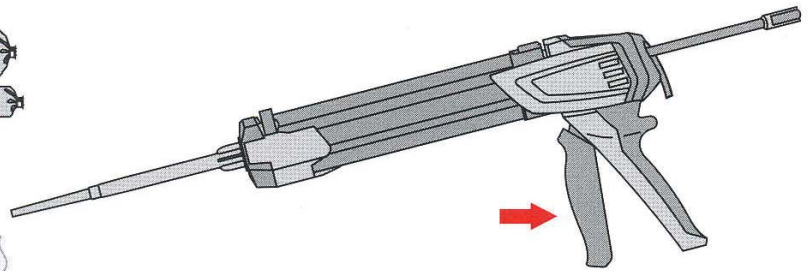
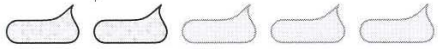
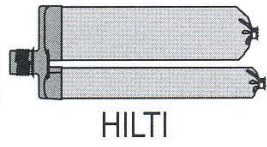
6



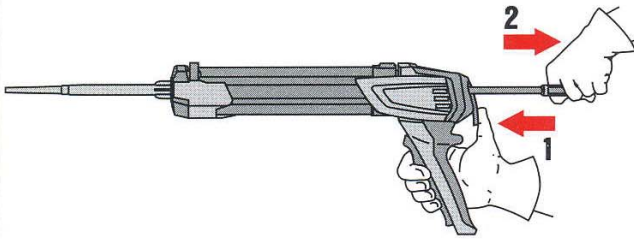
7



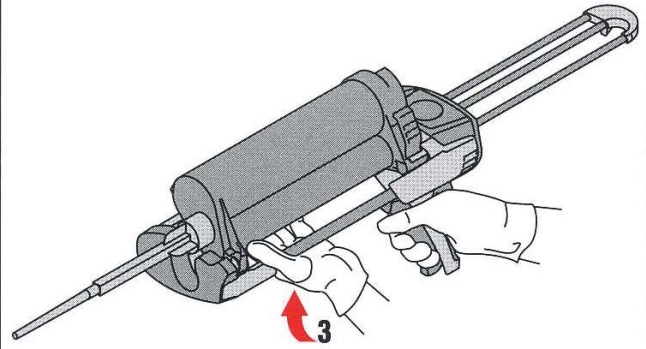
8



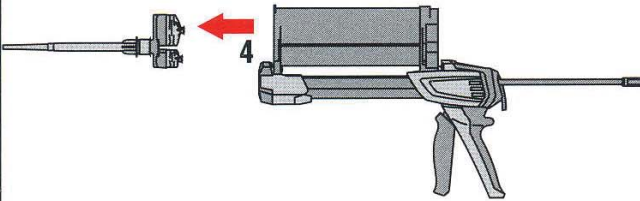
9



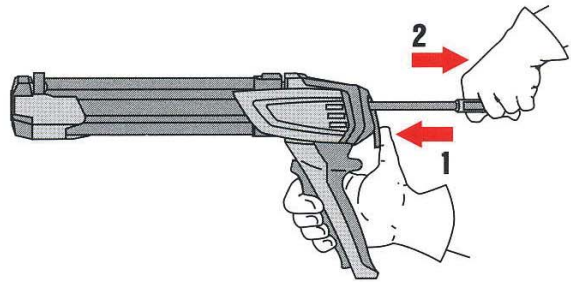
10



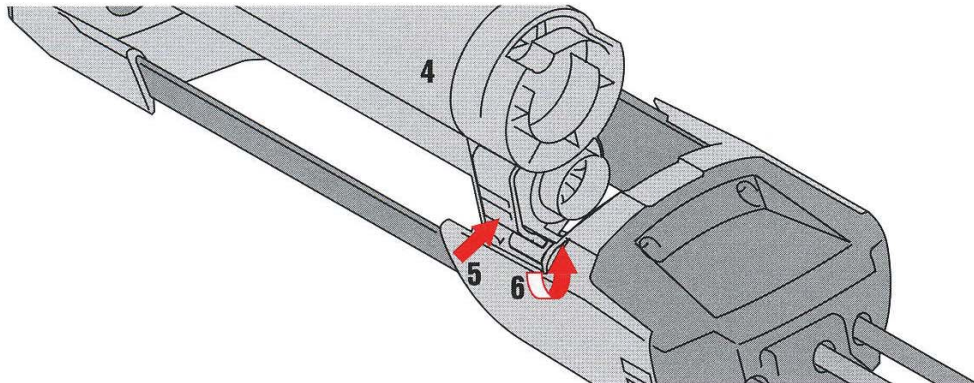
11



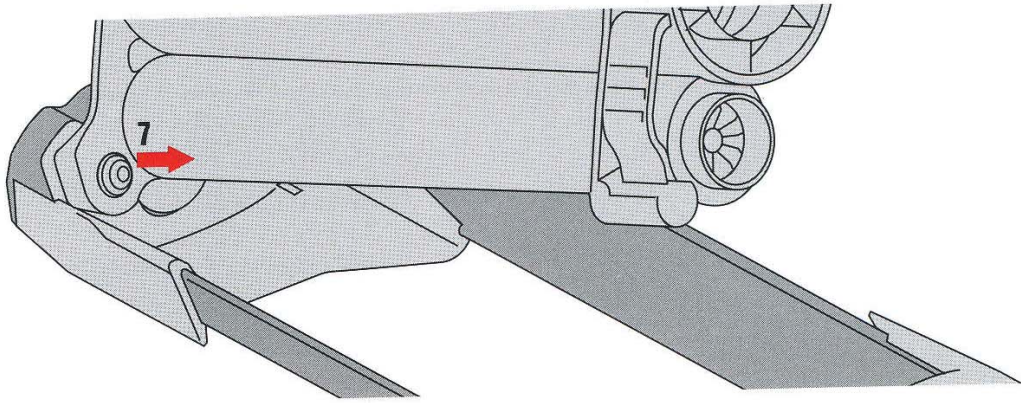
12



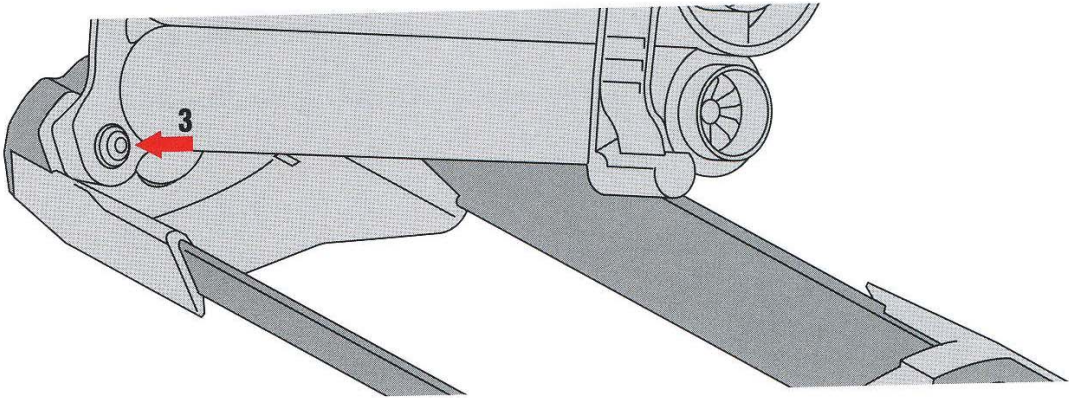
13



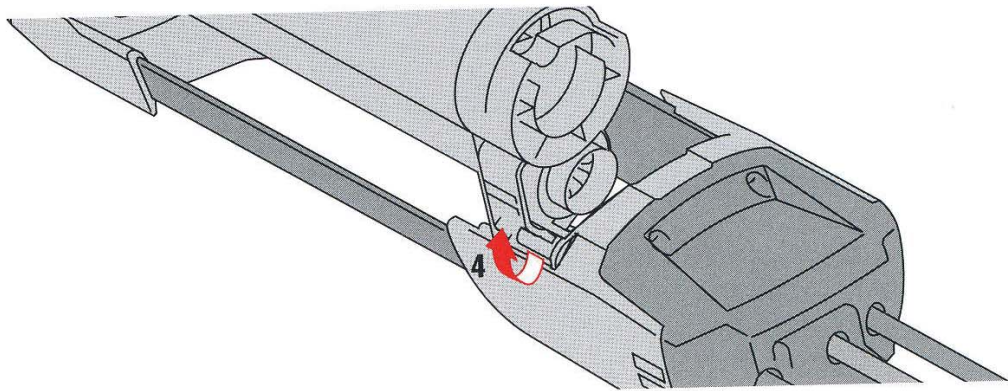
14



15



16



ORIGINAL OPERATING INSTRUCTIONS

HDM 330/500 dispenser

It is essential that the operating instructions are read before the tool is operated for the first time.

Always keep these operating instructions together with the tool.

Ensure that the operating instructions are with the tool when it is given to other persons.

Contents	Page
1. General information	9
2. Description	10
3. Accessories	11
4. Safety instructions	11
5. Operation	12
6. Care and maintenance	13
7. Troubleshooting	14
8. Disposal	14
9. Manufacturer's warranty	15

1 These numbers refer to the corresponding illustrations. The illustrations can be found on the fold-out cover pages. Keep these pages open while studying the operating instructions.

In these operating instructions, the designation “the tool” always refers to the Hilti HDM 330 or HDM 500 manual dispenser.

en

Parts and operating controls

- ① Cradle for foil pack holder
- ② Front locating lug for fitting the foil pack holder
- ③ Rear locating lug for fitting the foil pack holder
- ④ Parallel piston rods with grip
- ⑤ Release button
- ⑥ Grip
- ⑦ Trigger for starting and controlling dispensing

Accessories **1**

- ⑧ Black foil pack holder with built-in piston, 330 ml (11.1 fl.oz.) or 500 ml (16.9 fl.oz.)
- ⑨ Red foil pack holder with built-in piston, 330 ml (11.1 fl.oz.) or 500 ml (16.9 fl.oz.)
- ⑩ Release button on the foil pack holder

Consumables

- ⑪ Black or white Hilti 2-component foil pack, contents: 330 ml (11.1 fl.oz.) or 500 ml (16.9 fl.oz.)
- ⑫ Red Hilti 2-component foil pack, contents: 330 ml (11.1 fl.oz.) or 500 ml (16.9 fl.oz.)
- ⑬ Static mixer (mixing nozzle)

1. General information

1.1 Safety notices and their meaning

DANGER

Draws attention to imminent danger that will lead to serious bodily injury or fatality.

WARNING

Draws attention to a potentially dangerous situation that could lead to serious personal injury or fatality.

CAUTION

Draws attention to a potentially dangerous situation that could lead to slight personal injury or damage to the equipment or other property.

NOTE

Draws attention to an instruction or other useful information.

1.2 Explanation of the pictograms and other information

Warning signs



General warning

Obligation signs



Wear protective clothing



Wear eye protection.



Wear protective gloves.

Symbols



Read the operating instructions before use.



Return waste material for recycling.



National waste material recycling system

2. Description

2.1 Use of the product as directed

The tool is designed to dispense the contents of Hilti foil packs in a controlled operation.

The Hilti HDM 330 is designed to be used exclusively with Hilti HIT CB 330 and HIT CR 330 foil pack holders (see fig. 1).

The Hilti HDM 330 is designed to be used exclusively with Hilti 330 ml (11.1 fl.oz) foil packs.

The Hilti HDM 500 is designed to be used exclusively with Hilti HIT CB 500 and HIT CR 500 foil pack holders (see fig. 1).

The Hilti HDM 500 is designed to be used exclusively with Hilti 330 ml (11.1 fl.oz) or 500 ml (16.9 fl.oz) foil packs.

Black foil pack holder: Used to dispense Hilti mortars supplied in black or white foil packs.

Red foil pack holder: Used to dispense Hilti mortars supplied in red foil packs.

Use of third-party products in the tool is not permissible.

The tool is designed for professional use and may be operated, serviced and maintained only by trained, authorized personnel. This personnel must be informed of any special hazards that may be encountered.

Modification of the appliance or tampering with its parts is not permissible.

Observe the information printed in the operating instructions concerning operation, care and maintenance.

To avoid the risk of injury, use only genuine Hilti tools and accessories.

Never point the tool toward yourself or other persons.

The appliance and its ancillary equipment may present hazards when used incorrectly by untrained personnel or when used not as directed.

The working environment may be as follows: construction site, workshop, renovation, conversion or new construction.

Nationally applicable industrial safety regulations must be observed.

2.2 Items supplied as standard

- 1 The appliance
- 1 Protective glasses
- 1 Hilti toolbox or cardboard box
- 1 Operating instructions
- 1 Foil pack holder, black (optional)
- 1 Foil pack holder, red (optional)

3. Accessories

HDM 330

Designation	Short designation	Description
Foil pack holder	HIT CR 330	330 ml (11.1 fl.oz.), red
Foil pack holder	HIT CB 330	330 ml (11.1 fl.oz.), black

HDM 500

Designation	Short designation	Description
Foil pack holder	HIT CR 500	500 ml (16.9 fl.oz.), red
Foil pack holder	HIT CB 500	500 ml (16.9 fl.oz.), black

en

4. Safety instructions

WARNING! Read all instructions! Follow these safety instructions!

4.1 Work area safety

- a) **Ensure that the workplace is well ventilated.**
- b) **Ensure that the workplace is well lit.**
- c) **Keep work area clean and well lit.** Cluttered or dark areas invite accidents.
- d) **Keep children and other persons away from the area while the tool or appliance is in use.** Distractions can cause you to lose control.

4.2 Personal safety

Stay alert, watch what you are doing and use common sense when operating the appliance. Do not use the appliance while tired or under the influence of drugs, alcohol or medication. A moment of inattention while operating appliances may result in serious personal injury.

4.3 Power tool use and care

- a) **Operate the tool only as intended and when it is in faultless condition.**
- b) **Use only foil pack holders of a type approved for use with the tool.**

- c) **Do not use damaged foil pack holders or damaged foil packs.**
- d) **The tool, the cradle for the foil pack holders, the piston rods with pressure pieces and the foil pack holders must be clean and free from foreign matter.**
- e) **Maintain the tool carefully. Check for misalignment or binding of moving parts, breakage of parts and any other condition that may affect the tool's operation.**
- f) **Use the tool and accessories in accordance with these instructions and in the way specified for this special type of tool. Take the working conditions and the work to be performed into account.**
- g) **Do not attempt to open or disassemble the tool. Repairs may be carried out only by Hilti Service.**
- a) **Wear personal protective equipment while the tool is in use: closely fitting protective glasses or face shield, protective gloves and protective clothing.** Wearing personal protective equipment reduces the risk of injury.
- b) **Persons in the immediate vicinity must also wear personal protective equipment while the tool is in use.**

5. Operation

CAUTION

Risk of pinching your fingers! Keep your hands clear of the cradle area when pivoting the foil pack holder into position.

en WARNING

Observe the information on the safety data sheets, on the packaging and in the instructions for use before using the product.

5.1 Selecting the foil pack holder 2

CAUTION

Check the foil pack holder for damage and/or soiling. Both pistons in the foil pack holder must move smoothly and easily in both directions over the full length of their travel. **Damaged and/or badly soiled foil pack holders must be replaced.**

NOTE

Foil pack holders are available as accessories.

Select the correct foil pack holder according to the color of the foil pack.

Black foil pack holder: BLACK or WHITE foil pack
Red foil pack holder: RED foil pack

NOTE

Follow the instructions for use of the foil pack.

WARNING

Check the foil pack for damage. Never use damaged foil packs.

1. Press the release button and maintain pressure on it.
2. Pull the piston rods all the way back.
3. Remove the foil pack holder from the tool by tilting it slightly and applying light pressure from below.
4. Grip the tool with the foil pack holder from the side with one hand and push the foil pack into the holder from the front, as far as it will go.
5. Screw the static mixer all the way onto the foil pack.
6. Insert the foil pack holder with the foil pack into the tool, tilting it slightly and applying light pressure until it clicks into place.

5.3 Discarding the initial quantity of mortar dispensed

CAUTION

The initial quantity of mortar dispensed is not suitable for use. The quantity to be discarded is product specific and is indicated in the applicable instructions for use. The initial quantity must also be discarded after changing a mixer.

WARNING

Never point the tool toward yourself or other persons.

WARNING

Begin dispensing mortar only after the mixing nozzle has been screwed on.

NOTE

The foil pack opens automatically when dispensing begins. The two components can be seen to mix inside the mixing nozzle.

1. Pull the trigger repeatedly towards the grip until the foil pack opens and mortar is ejected from the mixing nozzle.
2. One stroke of the dispenser is achieved by pulling the trigger all the way to the grip.
3. Press the release button after the specified number of strokes.
4. Discard the initial quantity of mortar dispensed.
5. The tool is then ready to dispense ready-to-use mortar.

5.4 Dispensing 8

CAUTION

The tool / foil pack must not be under pressure when the mixing nozzle is changed.

NOTE

Mortar in the mixing nozzle hardens if dispensing is interrupted for a long period. Screw on a new mixing nozzle when you wish to continue dispensing mortar.

NOTE

Please refer to the instructions for the foil pack for further information about use of the mortar.

NOTE

Store partly-used foil packs in the foil pack holder with the mixing nozzle screwed on. Partly-used cartridges have a limited shelf life. Please refer to the instructions for use of the product.

1. Pull the trigger fully toward the grip several times.
2. Press the release button after finishing dispensing or if the operation is interrupted.
3. Pressing the release button prevents further ejection or leakage of mortar.

5.5 Changing the foil pack 9 10 11

1. Press the release button and maintain pressure on it.
2. Pull the piston rods all the way back.
3. Remove the foil pack holder from the tool by tilting it slightly and applying light pressure from below.
4. Grip the empty foil pack by the mixing nozzle and pull it out of the foil pack holder.
5. Push a new foil pack into the holder as far as it will go and screw on a new mixing nozzle.
6. Re-insert the foil pack holder in the tool, applying light pressure until it clicks into place.

5.6 Disposing of a foil pack

CAUTION

Dispose of completely emptied foil packs in accordance with the applicable regulations.

6. Care and maintenance

CAUTION

In order to avoid inadvertent ejection of mortar, remove the foil pack before beginning to clean the tool.

6.1 Care of the tool

CAUTION

Keep the tool, especially its grip surfaces, clean and free from oil and grease.

NOTE

For information about disposing of full, partly-used and completely empty foil packs, please refer to the instructions for use of the product or the applicable safety data sheets.

5.7 Removing the foil pack holder from the tool 12 13 14

1. Press the release button and maintain pressure on it.
2. Pull the piston rods all the way back.
3. Remove the foil pack holder from the tool by tilting it slightly and applying light pressure from below.
4. Grip the foil pack holder by the large cylinder.
5. Keep the release button at the rear end of the foil pack holder pressed in.
6. Disengage the foil pack holder from the rear locating lug.
7. Pull the eye on the foil pack holder off the front locating lug and remove the foil pack holder from the tool.

5.8 Inserting the foil pack holder in the tool 15 16

1. Press the release button and maintain pressure on it.
2. Pull the piston rods all the way back.
3. Fit the eye on the foil pack holder onto the locating lug at the front end of the tool.
4. Guide the rear of the foil pack holder under the rear locating lug until it engages in place.
5. Insert the foil pack holder in the tool by tilting it slightly and applying light downward pressure until it clicks into place and is seated correctly.

en

Clean the outside of the tool at regular intervals with a slightly damp cloth.

Lubricate the piston rods with oil when necessary. Mortar adhering to the tool or the foil pack holder must be cleaned off with a cloth before it hardens. Hardened mortar can be removed only by mechanical means. Take care to ensure that the tool is not damaged by cleaning. Do not use a spray, steam pressure cleaning equipment or running water for

cleaning. Never dip or soak the tool or its parts in solvents. Check that the piston moves freely in the foil pack holder.

6.2 Checking the tool after care and maintenance

After carrying out care and maintenance, check that moving parts function faultlessly, that no parts are sticking, broken or damaged and that the tool operates faultlessly.

en

7. Troubleshooting

Fault	Possible cause	Remedy
The trigger cannot be pressed.	The foil pack holder has not fully engaged.	The foil pack holder must engage fully with an audible click.
	The mortar in the mixing nozzle has hardened.	Press the release button. Change the mixing nozzle.
	The advance mechanism is defective.	Replace the tool.
The foil pack does not open automatically.	The tool has reached the end of its life.	Replace the tool.
Trigger movement is very stiff.	The foil pack is too cold.	Raise the temperature of the foil pack (observe the instructions for use of the foil pack).
	The trigger pressure is too high for the tool.	Use the right tool for the job.
The foil pack holder cannot be pivoted and pushed all the way down into the tool.	The foil pack is not pushed all the way into the holder.	Push the foil pack into the holder as far as it will go.
	The piston rods are not pulled back fully.	Press the release button and pull the piston rods back as far as they will go.
The foil pack holder does not engage with an audible click.	The retaining lugs are dirty / clogged.	Clean the retaining lugs and engage the foil pack holder fully.
	The retaining lugs are defective.	Replace the foil pack holder. Contact Hilti Service if the problem persists.

8. Disposal

CAUTION

Improper disposal of the equipment may have serious consequences: The burning of plastic components generates toxic fumes which may present a health hazard. Careless disposal may permit unauthorized and improper use of the equipment. This may result in serious personal injury, injury to third parties and pollution of the environment.



Most of the materials from which Hilti tools or appliances are manufactured can be recycled. The materials must be correctly separated before they can be recycled. In many countries, Hilti has already made arrangements for taking back old tools and appliances for recycling. Ask Hilti customer service or your Hilti representative for further information.

en

9. Manufacturer's warranty

Hilti warrants that the tool supplied is free of defects in material and workmanship. This warranty is valid so long as the tool is operated and handled correctly, cleaned and serviced properly and in accordance with the Hilti Operating Instructions, and the technical system is maintained. This means that only original Hilti consumables, components and spare parts may be used in the tool.

Additional claims are excluded, unless stringent national rules prohibit such exclusion. In particular, Hilti is not obligated for direct, indirect, incidental or consequential damages, losses or expenses in

connection with, or by reason of, the use of, or inability to use the tool for any purpose. Implied warranties of merchantability or fitness for a particular purpose are specifically excluded.

For repair or replacement, send the tool or related parts immediately upon discovery of the defect to the address of the local Hilti marketing organization provided.

This constitutes Hilti's entire obligation with regard to warranty and supersedes all prior or contemporaneous comments and oral or written agreements concerning warranties.