

L2062 Rev. E 06/11

#### Index:

English: .....	1-7
Français: .....	8-14
Deutsch: .....	15-21
Italiano: .....	22-28
Español: .....	29-34
Nederlands: .....	35-41
Portuguese .....	42-48
日本語 .....	49-54



## 1.0 IMPORTANT RECEIVING INSTRUCTIONS

Visually inspect all components for shipping damage. Shipping damage is **not** covered by warranty. If shipping damage is found, notify carrier at once. The carrier is responsible for all repair and replacement costs resulting from damage in shipment.

### SAFETY FIRST

## 2.0 SAFETY ISSUES



Read all instructions, warnings and cautions carefully. Follow all safety precautions to avoid personal injury or property damage during system operation. Enerpac cannot be responsible for damage or injury resulting from unsafe product use, lack of maintenance or incorrect product and/or system operation. Contact Enerpac when in doubt as to the safety precautions and operations. If you have never been trained on high-pressure hydraulic safety, consult your distribution or service center for a free Enerpac Hydraulic safety course.

Failure to comply with the following cautions and warnings could cause equipment damage and personal injury.

A **CAUTION** is used to indicate correct operating or maintenance procedures and practices to prevent damage to, or destruction of equipment or other property.

A **WARNING** indicates a potential danger that requires correct procedures or practices to avoid personal injury.

A **DANGER** is only used when your action or lack of action may cause serious injury or even death.



**WARNING:** Wear proper personal protective gear when operating hydraulic equipment.



**WARNING: Stay clear of loads supported by hydraulics.** A cylinder, when used as a load lifting device, should never be used as a load holding device. After the load has been raised or lowered, it must always be blocked mechanically.



**WARNING: USE ONLY RIGID PIECES TO HOLD LOADS.** Carefully select steel or wood blocks that are capable of supporting the load. Never use a hydraulic cylinder as a shim or spacer in any lifting or pressing application.



**DANGER:** To avoid personal injury keep hands and feet away from cylinder and workpiece during operation.



**WARNING:** Do not exceed equipment ratings. Never attempt to lift a load weighing more than the capacity of the cylinder. Overloading causes equipment failure and possible personal injury. The cylinders are designed for a max. pressure of 700 bar [10,000 psi]. Do not connect a jack or cylinder to a pump with a higher pressure rating.



**Never** set the relief valve to a higher pressure than the maximum rated pressure of the pump. Higher settings may result in equipment damage and/or personal injury.



**WARNING:** The system operating pressure must not exceed the pressure rating of the lowest rated component in the system. Install pressure gauges in the system to monitor operating pressure. It is your window to what is happening in the system.



**CAUTION:** Avoid damaging hydraulic hose. Avoid sharp bends and kinks when routing hydraulic hoses. Using a bent or kinked hose will cause severe back-pressure. Sharp bends and kinks will internally damage the hose leading to premature hose failure.




**Do not** drop heavy objects on hose. A sharp impact may cause internal damage to hose wire strands. Applying pressure to a damaged hose may cause it to rupture.





**IMPORTANT:** Do not lift hydraulic equipment by the hoses or swivel couplers. Use the carrying handle or other means of safe transport.





**CAUTION: Keep hydraulic equipment away from flames and heat.** Excessive heat will soften packings and seals, resulting in fluid leaks. Heat also weakens hose materials and packings. For optimum performance do not expose equipment to temperatures of 65°C [150°F] or higher. Protect hoses and cylinders from weld spatter.


 **DANGER: Do not handle pressurized hoses.** Escaping oil under pressure can penetrate the skin, causing serious injury. If oil is injected under the skin, see a doctor immediately.


 **WARNING:** Only use hydraulic cylinders in a coupled system. Never use a cylinder with unconnected couplers. If the cylinder becomes extremely overloaded, components can fail catastrophically causing severe personal injury.


 **WARNING: BE SURE SETUP IS STABLE BEFORE LIFTING LOAD.** Cylinders should be placed on a flat surface that can support the load. Where applicable, use a cylinder base for added stability. Do not weld or otherwise modify the cylinder to attach a base or other support.

 **Avoid** situations where loads are not directly centered on the cylinder plunger. Off-center loads produce considerable strain on cylinders and plungers. In addition, the load may slip or fall, causing potentially dangerous results.

 Distribute the load evenly across the entire saddle surface. Always use a saddle to protect the plunger.

 **IMPORTANT:** Hydraulic equipment must only be serviced by a qualified hydraulic technician. For repair service, contact the Authorized ENERPAC Service Center in your area. To protect your warranty, use only ENERPAC oil.

 **WARNING:** Immediately replace worn or damaged parts by genuine ENERPAC parts. Standard grade parts will break causing personal injury and property damage. ENERPAC parts are designed to fit properly and withstand high loads.

 **CAUTION:** Check specifications and motor plate data. Use of an incorrect power source will damage the motor.

### 3.0 Specifications

	"B" Models	"E" Models
<b>Operating Pressure</b>	0-10,000 psi [700 bar] {70 mPa}	
<b>Electric Power Source</b>	15 Amp 120 V. grounded 1Ph. 50/60 Hz	10 Amp 220 V. 1Ph. 50/60 Hz
<b>Motor Rating</b>	Motor Rating 1/2 HP Universal, 9 Amps at 10,000 psi [700 bar] & 12,000 RPM operates at 60-125 Volts 85-89 dBA	.37 kW Universal, 4 Amps at 10,000 psi [700 bar] {70 mPa} & 12,000 RPM 85-89 dBA
<b>Flow Rate</b>	200 in. <sup>3</sup> /min. [3,3 l/min] at 0-200 psi [0-14 bar] {0-1,4 mPa} 20 in. <sup>3</sup> /min. [0,33 l/min] at 10,000 psi [700 bar] {70 mPa}	
<b>Max. Operating Temperature</b>	150°F [65°C]	

Model No.	Used with Cylinder	Valve Type	Usable Oil Capacity	Weight
PUD-1100B/E	Single-Acting	Dump Valve	122 in. <sup>3</sup>	31 lbs.
PUD-1101B/E			231 in. <sup>3</sup>	43 lbs.
PUD-1300B/E	Single-Acting	Dump/Hold	122 in. <sup>3</sup>	31 lbs.
PUD-1301B/E			122 in. <sup>3</sup>	43 lbs.
PUJ-1200B/E	Single-Acting	3-Way, 2-Position	122 in. <sup>3</sup>	27 lbs.
PUJ-1201B/E			231 in. <sup>3</sup>	39 lbs.
PUJ-1400B/E	Double-Acting	4-Way, 3-Position	122 in. <sup>3</sup>	32 lbs.
PUJ-1401B/E			231 in. <sup>3</sup>	44 lbs.

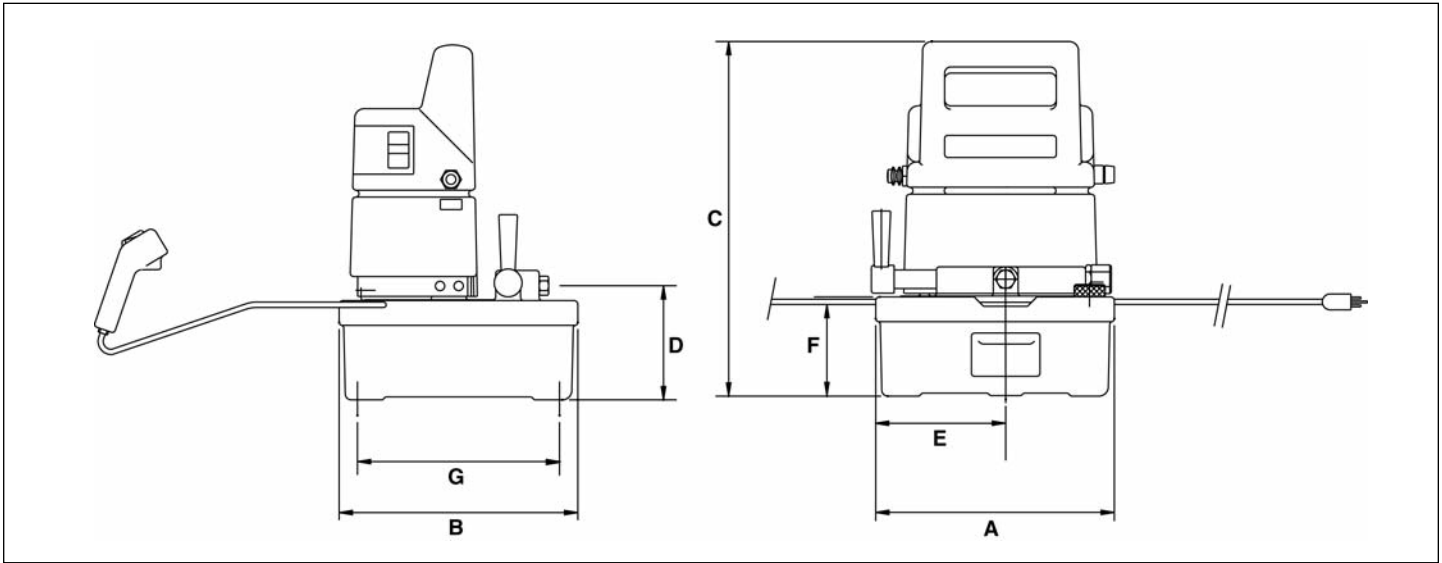


Figure 1

Dimensions in. [cm]								
Models	A	B	C	D	E	F	G	H
PUD-1100B/E, PUD-1300B/E, PUJ-1200B/E, PUJ-1400B/E	9.62 [24,43]	9.62 [24,43]	14.25 [36,20]	4.72 [11,99]	5.25 [13,34]	4.00 [10,16]	8.12 [20,62]	.75 [1,90]
PUD-1101B/E, PUD-1301B/E, PUJ-1201B/E, PUJ-1401B/E	12.18 [30,94]	14.50 [36,83]	14.72 [10,54]	5.12 [13,00]	5.62 [14,27]	4.15 [10,54]	12.77 [32,43]	0.62 [1,57]

The "D" dimension on the PUJ-1400B/E is 6.18 in. [15,7 cm]; on the PUJ-1401B/E, it is 6.58 in. [16,7 cm].

## 4.0 INSTALLATION

### 4.1 Hydraulic Connections

Use 1 1/2 wraps of teflon tape (or suitable thread sealant) on all threads, leaving the first complete thread free of tape to ensure that the tape does not shed into the hydraulic system, causing damage. Trim loose ends.



**WARNING:** To ensure proper operation, avoid kinking or tightly bending hoses. If a hose becomes kinked or otherwise damaged, it must be replaced. Damaged hoses may rupture at high pressure, causing personal injury.

#### PUJ-1200B/E, PUJ-1201B/E Models (Figure 2)

1. Remove the shipping plug from the .250-18 NPT gauge port (A) on top of the control valve.
2. Install a 0-15,000 psi (1035 bar) pressure gauge into the gauge port (A).
3. If required, thread hydraulic hose in the .375-18 NPT valve outlet port (B).
4. Connect a return line by threading a hose into the return to tank port (C).

#### PUJ-1400B/E, PUJ-1401B/E Models (Figure 3)

1. Remove the shipping plug from the valve advance port (D). Install a gauge adaptor into the .375-18 NPT advance port (D).
2. Install a 15,000 psi (1035 bar) pressure gauge in the gauge adaptor top port.
3. Install a hydraulic hose into the gauge output adaptor end port (.375-18 NPT). Connect the hose half coupler to the cylinder advance half coupler. Firmly hand tighten the coupler collar. DO NOT use tools to tighten the coupler halves.

4. If using double-acting circuit install hose into the retract port (E) on the control valve. Connect the hose half coupler to the cylinder retract half coupler.

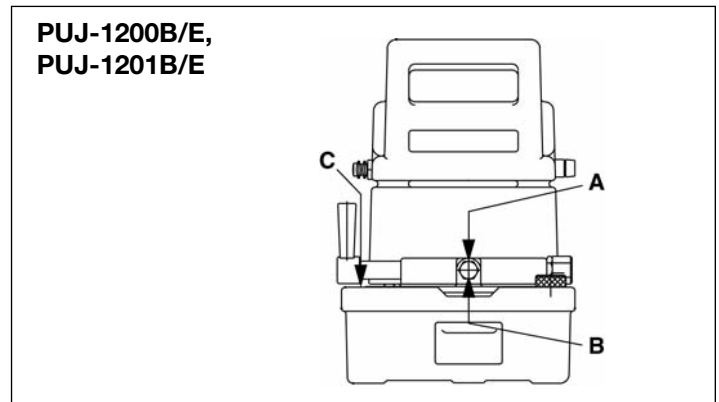


Figure 2

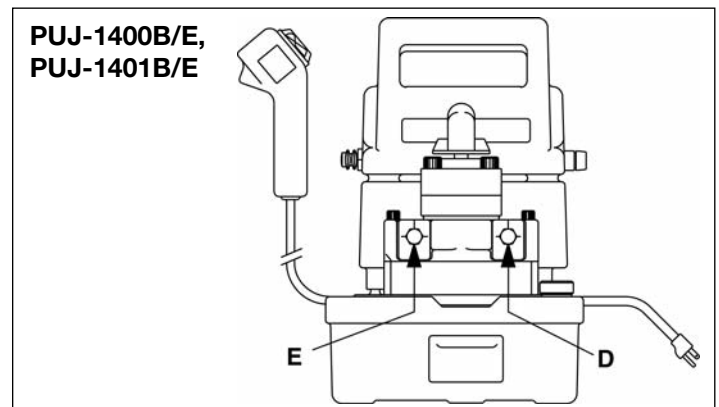


Figure 3

**PUD1100B/E, PUD-1101B/E, PUD1300B/E and PUD1301B/E Models**

1. The pump-to-cylinder hose attaches directly to the output port (A) of the control valve (see Figure 4).
2. If a gauge is desired to monitor system pressure, a gauge adaptor must be installed into the valve outlet port (A). Install a 0-10,000 psi (700 Bar) pressure gauge into the gauge port of the gauge adaptor.

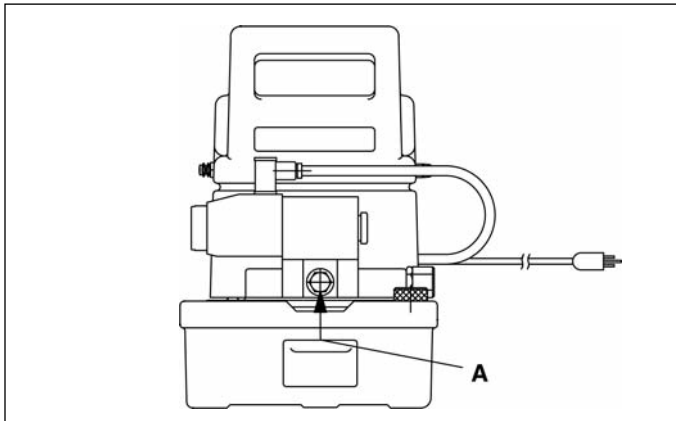


Figure 4

**4.2 Valve Mounting (Figure 5)**

1. Remove the plate (No. 1, D43918098).
2. Verify that the connector (2) is installed in the pump. If it is not, install the connector, taking care to avoid shearing the seals.

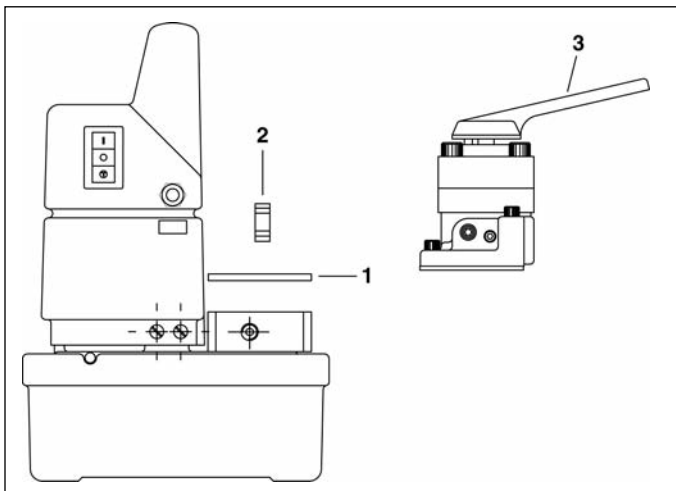


Figure 5

3. Mount the valve (3), taking care to avoid shearing the seals.

**4.3 Adding Oil (Figure 6)**

Check the oil level by unscrewing and removing the vent/fill plug (F). Add Enerpac hydraulic oil until the oil level is 1/2 inch (1 cm) below the vent/fill opening.

**IMPORTANT:** Add oil only when all system components are fully retracted, or the system will contain more oil than the reservoir can hold.

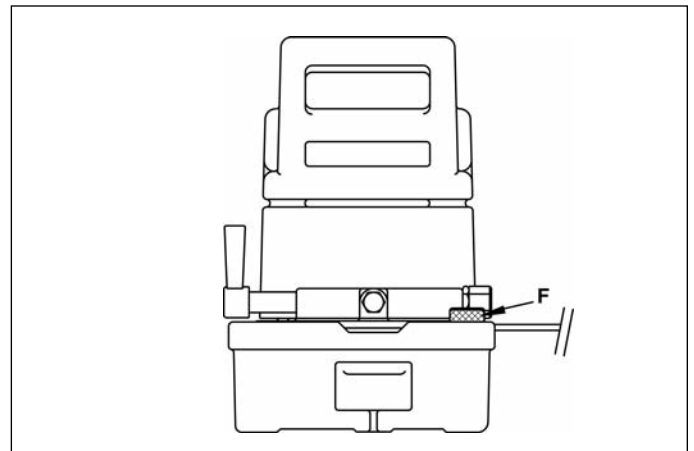


Figure 6

**5.0 OPERATION**

**NOTE:** To avoid power losses between the electrical outlet and pump motor, use the shortest possible extension cord. The pump motor will function at low voltage, but motor speed and oil flow will be reduced.

1. Check all system fittings and connections to be sure they are tight and leak free.
2. Check the fluid level and add fluid, if necessary.
3. Open the pump vent plug (F) located on the front right corner of the reservoir by turning it 1 or 2 complete turns.



**CAUTION:** The vent plug must be open whenever the pump is running.

**5.1 Switch Operation (Figure 7)**

The "B" version requires a 15 amp, 120 V. grounded 1 Ph. circuit. The "E" version requires 220 V. 1 Ph. The pump power cord is 5 ft. (1 1/2 meters) long.

1. The pump switch is located on the side of the shroud. It is a three position switch, top detent is "ON", middle is "OFF", bottom is momentary on "MOM". Pressing the top "ON" position activates the electrical circuit, but does not turn the pump motor on. The pump motor is activated by the pendant switch (G).
2. Pressing the lower portion of the switch will activate the pump motor as long as the switch is held down. Releasing the switch stops the pump. This momentary position is used as an alternate to the pendant control.

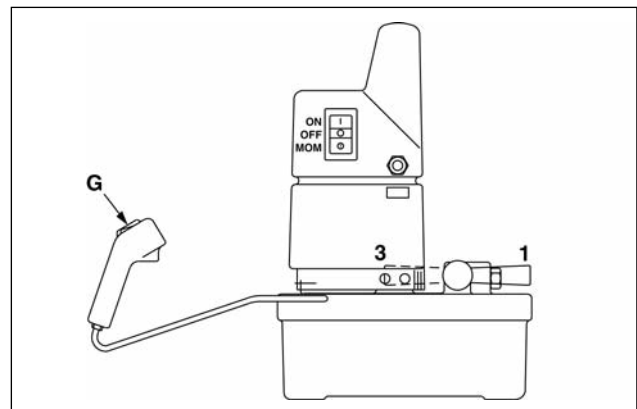


Figure 7

## 5.2 Pump Control Valve PUJ-1200B/E and PUJ-1201B/E models

The pump control valve directs hydraulic fluid output or return from the hydraulic system components. These models have 3 way, 2 position valves. Valve positions are shown in Figure 8: **(1)**-Advance; **(3)**-Retract. To advance the cylinder, shift the valve to the advance position **(1)** and press the pendant switch.

The cylinder will advance until the pendant switch is released.

To retract the cylinder, shift the valve to the retract position **(3)**.

The cylinder will retract with or without the pump running.

### PUJ 1400B/E and PUJ-1401B/E Models (Figure 8)

Control valves on PUJ-1400B/E and PUJ-1401B/E pumps are 4-way, 3-position, for use with double acting cylinders where advance and retract are hydraulically actuated. Valve positions are shown in Figure 8: 1-Advance; 2- Retract; 3- Neutral. In each position the cylinder movement is controlled by the pendant switch.

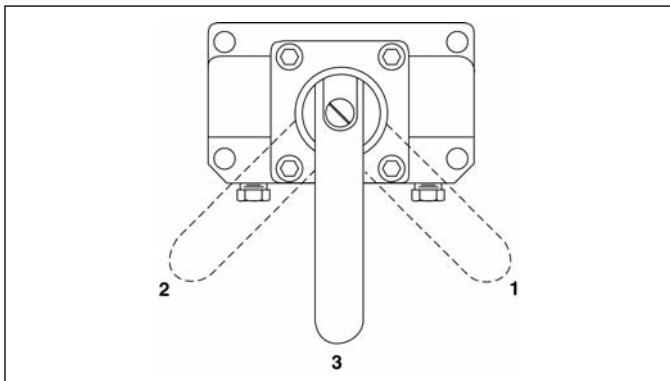


Figure 8

### PUD-1100B/E and PUD-1101B/E Models

The PUD-1100B/E and PUD-1101B/E operate single-acting cylinders where the hold function is not necessary. Pressing the pendant switch starts the motor and advances the cylinder. When the switch is released, the cylinder will retract.

### PUD1300B/E and PUD1301B/E models

The PUD1300B/E and PUD1301B/E operate single-acting cylinders where the hold function is required. Press the advance button to start the pump and advance the cylinder.

Releasing the advance button will stop the pump and the cylinder will hold the load with the valve. Pressing the retract button will shift the valve, allowing the load to retract.

**NOTE:** Because the time for the motor to stop can vary, depending on load conditions, the load may not stop advancing at the exact time the advance button is released. There may be a small movement of the cylinder while the motor is stopping.

## 5.3 Thermal Switch (All models)

To protect the pump from damage, an internal thermal switch shuts off the motor when the oil temperature reaches 150°F (65°C). When the temperature drops to 130°F (54°C) the switch will automatically reset.

## 5.4 Air Removal

When the hydraulic system is connected for the first time, air will be trapped in the components. To ensure smooth, safe operation, remove the air by running the system through several complete cycles without a load on the cylinders. When cylinders advance and retract without hesitation, the air is vented from the system.



**WARNING:** To avoid injury and equipment damage, do not continue pressurizing cylinders after they reach maximum travel or maximum operating pressure.

## 6.0 RELIEF VALVE ADJUSTMENT (Figure 9)

The main pump relief valve is internal and non-adjustable, factory set for 10,000 psi (700 bar) maximum operating pressure. An additional external relief valve is located under a hex cap on the right side of the pump. The external relief valve is adjustable from 10,000 psi (700 bar) down to 2000 psi (140 bar). Operating pressure limits can be reduced below 10,000 psi (700 bar), but not above 10,000 psi (700 bar). (PUJ-1400B/E and PUJ-1401B/E models are not equipped with external adjustable relief valves.)

1. Install a gauge as directed in the installation instructions on page 3.
2. Install a plug in the valve outlet port.
3. Remove the hex cap **(H)** covering the relief valve adjustment screw.
4. Using an allen wrench, turn the adjustment screw counterclockwise one full turn.
5. Turn the pump "ON" and run the pump motor, watching the gauge reading for the maximum pressure. Stop the pump.
6. Continue to adjust the setting until the desired pressure is attained.
7. Check the setting by running the pump several times. If the gauge reading is the same each time, the valve setting is stable.
8. Replace the hex cap to cover the adjusting screw.

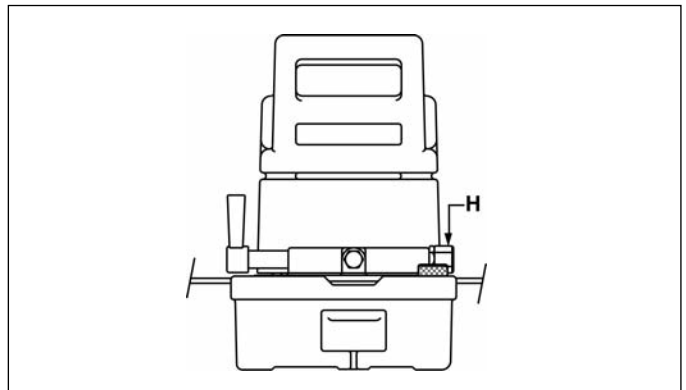


Figure 9

**NOTE:** To get the most accurate relief valve setting, start at a lower pressure and adjust up to the desired relief valve setting.



**WARNING** To avoid equipment damage and personal injury, do not attempt to exceed 10,000 psi (700 bar) maximum operating pressure.

## 7.0 MAINTENANCE

### 7.1 Checking the Oil Level

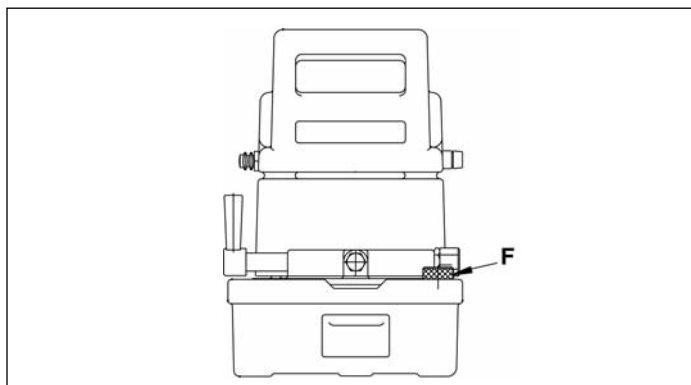
Check reservoir hydraulic oil level every 40 hours of operation. Add oil when necessary to bring the level to 1/2" (1 cm) below the fill opening. Use only Enerpac hydraulic oil. The use of other oils or fluids may damage your system, and will void your Enerpac warranty.

### 7.2 Changing the Oil (Figure 10)

Completely drain the reservoir after every 100 hours of operation. Refill with new hydraulic oil. If pump is operated in very dusty areas or at high temperatures, drain and refill more frequently.

1. To drain the reservoir, remove the vent/fill plug **(F)** from the top right hand corner of the reservoir.

2. Tip the pump until all old oil is drained.
3. Refill with new oil through the same opening. Reservoir capacity is .75 gal. (2,8 l) or 1.5 gal. (5,7 l) depending on model.
4. Replace fill plug (F).



**Figure 10**

### 7.3 Cleaning the Reservoir

The pump reservoir can be removed for cleaning. If the pump is constantly used in an extremely dusty environment, the reservoir should be cleaned once a year.

1. Drain the reservoir as described in steps 1 and 2 in "Changing the Oil".
2. Remove the six screws securing the shroud to the reservoir. Lift the shroud off the reservoir. A foam cushion wraps around the motor to keep electrical wires away from the motor. Use caution to avoid damaging or pulling wire connections off the terminals.
3. Remove the eight screws holding the pump to the reservoir. Lift the pump off the reservoir and remove the gasket.
4. Thoroughly clean the reservoir with a suitable solvent.
5. Re-assemble the pump and reservoir, installing a new gasket. Position the shroud over the motor with the shroud handle facing the valve side of the pump. Install the six mounting screws and internal/external lock washers.

If the pump requires repair work, contact a local Authorized Enerpac Service Center.

### 7.4 Motor Brushes

Check the electric motor brushes at least once every two years. For pumps in heavy usage applications, check the brushes at least once every six months.



**DANGER:** To avoid possible electrocution, pump must be completely disconnected from electrical power before brush servicing is attempted.

## 8.0 TROUBLESHOOTING (See Chart)

The Troubleshooting Chart is intended as a guide to help you diagnose and correct various possible pump problems.

Only qualified hydraulic technicians should troubleshoot and service the pump. For repair service, contact the Enerpac Authorized Service Center in your area.

### 8.1 Circuit Breaker (Pumps with Date Code "F" and Later)

In the event of an electrical overload, the pump circuit breaker will trip. After investigating and correcting the source of the overload, push the circuit breaker button to reset.

### 8.2 Fuses (Pumps With Date Code "F" and Later)

Internal fuses protect the primary and secondary circuits of the control transformer. If a fuse blows, investigate and correct the source of the failure. Then, replace the blown fuse with a new fuse of the correct rating. For fuse ratings, refer to the Repair Parts Sheet for your pump model.



**WARNING:** Always disconnect electrical power before replacing fuses.

**Note:** Fuses are **not** used on the following pumps:

- Pumps manufactured before Date Code "F".
- Models not equipped with pendant (all date codes).

## 9.0 TEST STANDARDS

### 9.1 Canadian Standards Association (CSA)

Where specified, pump assemblies meet the design assembly and test requirements of CSA, the Canadian Standards Association (Refer to CAN/CSA — C22.2 No. 68-92, Motor operated appliances).

### 9.2 Conformité Européene (CE)

Where specified, an EC Declaration of Conformity and CE marking of product is provided. These products conform to European Standards EN982:1996, EN1050:1998 and EN-ISO-12100-1&2:2003, and to EC Directives 2006/42/EC, 97/23/EC, 2004/108/EC, 2006/95/EC and 97/23/EC.

## TROUBLESHOOTING CHART

<b>Problem</b>	<b>Possible Cause</b>	<b>Solution</b>
Pump will not start.	No power. Wrong voltage.	Check electrical power source. Check voltage specifications on page 2.
Cylinder will not advance or retract.	Fluid level low. Intake screen clogged. Valve in wrong position. Valve failure.	Fill reservoir to proper level. Clean or replace intake screen. Shift valve to the pressure position. Have pump repaired by a qualified hydraulic technician.
Cylinder advances and retracts erratically.	Air in the system.  External leak in system.  Internal hydraulic leak.	Remove air from the system by opening and closing the tool until operation is smooth.  Tighten leaky connections. Replace any damaged hoses and fittings. Have pump repaired by a qualified hydraulic technician.
Pump fails to maintain pressure.	External hydraulic leak.  Internal hydraulic leak.	Tighten leaky connections. Replace any damaged hoses or fittings. Have pump repaired by a qualified hydraulic technician.
Low Fluid output.	Fluid level low. Pump component parts are leaking. By-pass valve malfunction.  Fluid intake screens on piston blocks may be clogged with debris.	Fill reservoir to the proper level. Test to isolate leaks. Have pump repaired by a qualified hydraulic technician.  Inspect intake screens. Flush all components of contamination. Replace any damaged components.

L2062 Rev. E 06/11

## 1.0 INSTRUCTIONS IMPORTANTES RELATIVES À LA RÉCEPTION

Inspecter tous les composants pour vous assurer qu'ils n'ont subi aucun dommage en cours d'expédition. Les dommages subis en cours de transports ne sont pas couverts par la garantie. S'il sont abîmés, aviser immédiatement le transporteur, qui est responsable des frais de réparation et de remplacement résultant de dommages en cours de transport.

### LA SÉCURITÉ AVANT TOUT !

## 2.0 SÉCURITÉ



Lire attentivement toutes les instructions et mises en garde et tous les avertissements. Suivre toutes les précautions pour éviter d'encourir des blessures

personnelles ou de provoquer des dégâts matériels durant le fonctionnement du système. Enerpac ne peut pas être tenue responsable de dommages ou blessures résultant de l'utilisation risquée du produit, d'un mauvais entretien ou d'une application incorrecte du produit et du système. En cas de doute sur les précautions ou les applications, contacter Enerpac. En l'absence d'une formation aux mesures de sécurité à prendre en présence de liquides sous haute pression, consulter un centre de distribution ou de réparation Enerpac pour suivre un cours gratuit sur ce thème.

Respecter les mises en garde et avertissements suivants sous peine de provoquer des dégâts matériels et des blessures personnelles.

Une mise en garde **ATTENTION** sert à indiquer des procédures d'utilisation et de maintenance correctes qui visent à empêcher l'endommagement voire la destruction du matériel ou d'autres dégâts.

Un **AVERTISSEMENT** indique un danger potentiel qui exige la prise de mesures particulières visant à écarter tout risque de blessure.

La mention **DANGER** n'est utilisée que lorsqu'une action ou un acte de négligence risque de causer des blessures graves, voire mortelles.



**AVERTISSEMENT** : Porter un équipement de protection personnelle adéquat pour utiliser un appareil hydraulique.



**AVERTISSEMENT** : Rester à l'écart de charges soutenues par un mécanisme hydraulique. Un vérin, lorsqu'il est utilisé comme monte-charge, ne doit jamais servir de support de charge. Après avoir monté ou abaissé la charge, elle doit être bloquée par un moyen mécanique.



**AVERTISSEMENT** : UTILISER SEULEMENT DES PIÈCES RIGIDES POUR SOUTENIR LES CHARGES.

Sélectionner avec précaution des blocs d'acier ou de bois capables de supporter la charge. Ne jamais utiliser un vérin hydraulique comme cale ou intercalaire d'appui pour les applications de levage ou de pressage.



**DANGER** : Pour écarter tout risque de blessure personnelle, maintenir les mains et les pieds à l'écart du vérin et de la pièce à usiner durant l'utilisation.



**AVERTISSEMENT** : Ne pas dépasser les valeurs nominales du matériel. Ne jamais essayer de soulever une charge d'un poids supérieur à la capacité du vérin. Une surcharge entraînera la panne du matériel et risque de provoquer des blessures personnelles. Les vérins sont conçus pour une pression maximale de 700 bar. Ne pas connecter de cric ou de vérin à une pompe affichant une pression nominale supérieure.



**Ne jamais** régler la soupape de sûreté à une pression supérieure à la pression nominale maximale de la pompe sous peine de provoquer des dégâts matériels et/ou des blessures personnelles.



**AVERTISSEMENT** : La pression de fonctionnement du système ne doit pas dépasser la pression nominale du composant du système affichant la plus petite valeur. Installer des manomètres dans le système pour surveiller la pression de fonctionnement. Ils permettent de vérifier ce qui se passe dans le système.



**ATTENTION** : Éviter d'endommager les tuyaux hydrauliques. Éviter de les plier et de les tordre en les mettant en place. Un tuyau plié ou tordu entraînera un fort retour de pression. Les plis et coudes prononcés endommageront par ailleurs l'intérieur du tuyau, provoquant son usure précoce.



**Ne pas** faire tomber d'objets lourds sur le tuyau. Un fort impact risque de causer des dégâts intérieurs (torons métalliques). L'application d'une pression sur un tuyau endommagé risque d'entraîner sa rupture.




**IMPORTANT** : Ne pas soulever le matériel hydraulique en saisissant ses tuyaux ou ses raccords articulés. Utiliser la poignée de transport ou procéder d'une autre manière sûre.





**ATTENTION** : Garder le matériel hydraulique à l'écart de flammes et d'une source de chaleur. Une forte température amollira les garnitures et les joints et provoquera par conséquent des fuites. La chaleur affaiblit




également les matériaux et les garnitures du tuyau. Pour une performance maximale, ne pas exposer le matériel à une température supérieure ou égale à 65 °C [150 °F]. Protéger tuyaux et vérins de projections de soudure.

 **DANGER** : Ne pas manipuler les tuyaux sous pression. L'huile sous pression qui risque de s'en échapper peut pénétrer dans la peau et provoquer des blessures graves. En cas d'injection d'huile sous la peau, contacter immédiatement un médecin.

 **AVERTISSEMENT** : Utiliser des vérins hydrauliques uniquement dans un système couplé. Ne jamais utiliser un vérin en présence de raccords déconnectés. La surcharge du vérin peut avoir des effets désastreux sur ses composants, qui peuvent causer des blessures graves.

 **AVERTISSEMENT** : S'assurer de la stabilité de l'ensemble avant de lever une charge. Le vérin doit être placé sur une surface plane capable de supporter la charge. Lorsqu'applicable, utiliser une base de vérin pour accroître la stabilité. Ne pas souder ou modifier le vérin de quelque façon que ce soit pour y fixer une base ou un autre dispositif de support.

 **Éviter les** situations où les charges ne sont pas directement centrées sur le piston du vérin. Les charges décentrées imposent un effort considérable au vérins et

pistons. En outre, la charge risque de glisser ou de tomber, ce qui crée un potentiel de danger.



Répartir la charge uniformément sur toute la surface d'appui. Toujours utiliser un coussinet d'appui si des accessoires non filetés sont utilisés.



**IMPORTANT** : Le matériel hydraulique doit uniquement être réparé par un technicien hydraulique qualifié. Pour toute réparation, contacter le centre de réparation ENERPAC agréé le plus proche. Pour assurer la validité de la garantie, n'utiliser que de l'huile ENERPAC.



**AVERTISSEMENT** : Remplacer immédiatement les pièces usées ou endommagées par des pièces ENERPAC authentiques. Les pièces de qualité standard se casseront et provoqueront des blessures et des dégâts matériels. Les pièces ENERPAC sont conçues pour s'ajuster parfaitement et résister à de fortes charges.



**ATTENTION**: Consulter les spécifications et informations de la plaque signalétique du moteur. L'usage d'une source d'alimentation inadéquate causerait des dommages au moteur.

### 3.0 CARACTÉRISTIQUES

	Modèles "B"	Modèles "E"
<b>Pression de fonctionnement</b>	0 - 700 bar	
<b>Alimentation électrique</b>	15 A, 120 V, mise à la terre, monophasé 50/60 Hz	50/60 Hz, 10 A 220 V, monophasé,
<b>Puissance nominale du moteur</b>	0,37 kW Universal, 9 A à 700 bar et 12 000 tr/mn, fonctionnement à 60-125 V, 85-89 dBA	0,37 kW Universal, 4 A à 700 bar et 12 000 tr/mn, 85-89 dBA
<b>Débit</b>	3,3 l min de 0 bar, à 14 bar, et 0,33 l/min à 700 bar	
<b>Température maximale de fonctionnement</b>	65 °C	

N° de modèle de modèle	Utilisée avec vérin	Type de vanne	Contenance d'huile utilisable	Poids
PUD-1100B/E	À simple effet	Vanne de décharge	2,00 l	14kg
PUD-1101B/E			3,79 l	20 kg
PUD-1300B/E	À simple effet	Vanne de décharge	2,00 l	14kg
PUD-1301B/E			2,00 l	20 kg
PUJ-1200B/E	À simple effet	Avance / Maintien	2,00 l	12 kg
PUJ-1201B/E			3,79 l	18 kg
PUJ-1400B/E	À double effet	à 4 voies, 3 positions	2,00 l	15 kg
PUJ-1401B/E			3,79 l	20 kg

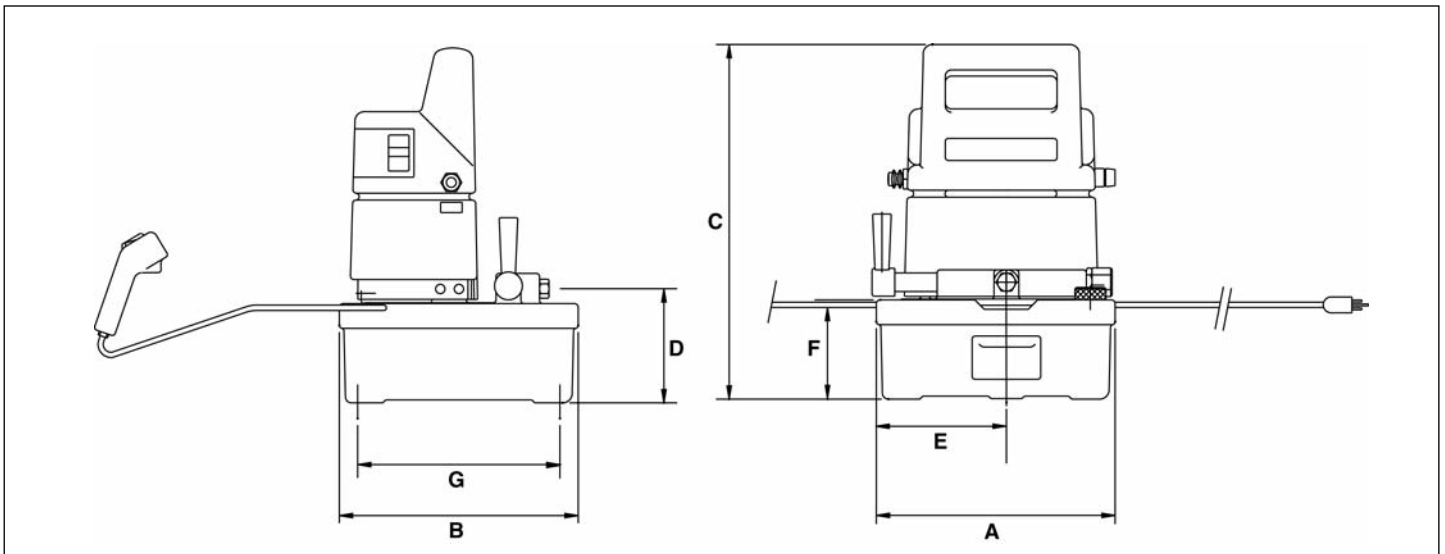


Figure 1

Dimensions en cm								
Modèles	A	B	C	D	E	F	G	H
PUD-1100B/E, PUD-1300B/E, PUJ-1200B/E, PUJ-1400B/E	24,43	24,43	36,20	11,99	13,34	10,16	20,62	1,90
PUD-1101B/E, PUD-1301B/E, PUJ-1201B/E, PUJ-1401B/E	30,94	36,83	10,54	13,00	14,27	10,54	32,43	1,57

La dimension "D" sur le modèle PUJ-1400B/E est de 15,7 cm et sur le PUJ-1401B/E, de 16,7 cm.

## 4.0 INSTALLATION

### 4.1 Branchements hydrauliques

Enrober tous les filetages de 1 1/2 tour de ruban de téflon (ou autre produit d'étanchéité adéquat) en veillant à laisser le premier pas découvert pour éviter que le produit s'infilte dans le circuit hydraulique, ce qui causerait des dommages. Éliminer l'excédent de produit.



**AVERTISSEMENT:** Pour assurer un bon fonctionnement, éviter de vriller ou de plier les flexibles. Si un flexible est vrillé ou autrement endommagé, il doit être remplacé. Les flexibles endommagés peuvent se rompre sous une forte pression, causant des risques de blessures.

#### Modèles PUJ-1200B/E, PUJ-1201B/E (Figure 2)

1. Retirer le bouchon d'expédition de l'orifice de manomètre .250-18 NPT (A) du haut de la vanne de commande.
2. Brancher un manomètre de 0 à 1035 bar dans l'orifice (A).
3. S'il le faut, vissez la conduite hydraulique dans l'orifice de sortie du distributeur 0,375-18 NPT (B).
4. Brancher un flexible dans l'orifice de retour au réservoir (C).

#### Modèles PUJ-1400B/E, PUJ-1401B/E (Figure 3)

1. Retirer le bouchon d'expédition de l'orifice d'extension de la vanne (D). Installer un adaptateur dans cet orifice .375-18 NPT (D).
2. Installer un manomètre de 1035 bar dans l'orifice supérieur de l'adaptateur.
3. Posez une conduite hydraulique dans l'orifice d'extrémité de l'adaptateur en sortie du manomètre (0,375-18 NPT). Assembler les demi-raccords du flexible et de l'orifice d'extension du vérin. Serrer fermement le collier du raccord. NE PAS utiliser un outil pour serrer les demi-raccords.

4. En cas d'utilisation de circuit à double effet, posez la conduite dans l'orifice de retrait (E) du distributeur. Assembler les demi-raccords du flexible et de l'orifice de rétraction.

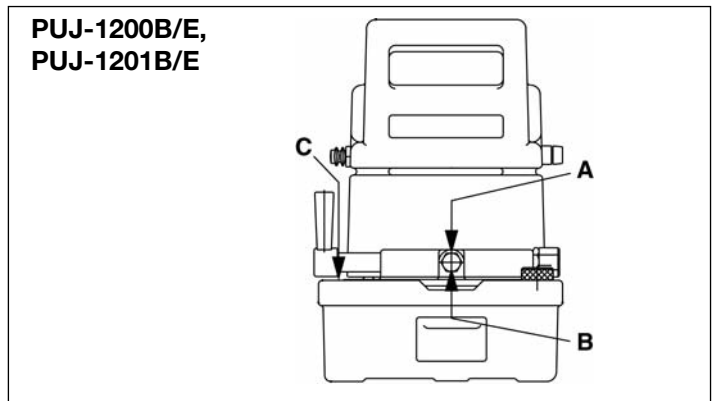


Figure 2

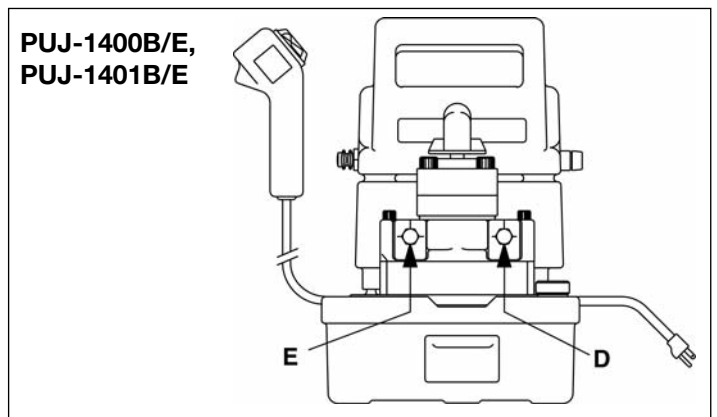


Figure 3

## PUD1100B/E, PUD-1101B/E, PUD1300B/E et le modèle PUD1301B/E

1. Le flexible hydraulique d'alimentation du vérin se connecte à la sortie A du distributeur (Figure 4).
2. Dans le cas où la lecture de la pression est nécessaire, veuillez connecter un manomètre à l'aide d'un adaptateur manomètre sur la sortie A du distributeur.

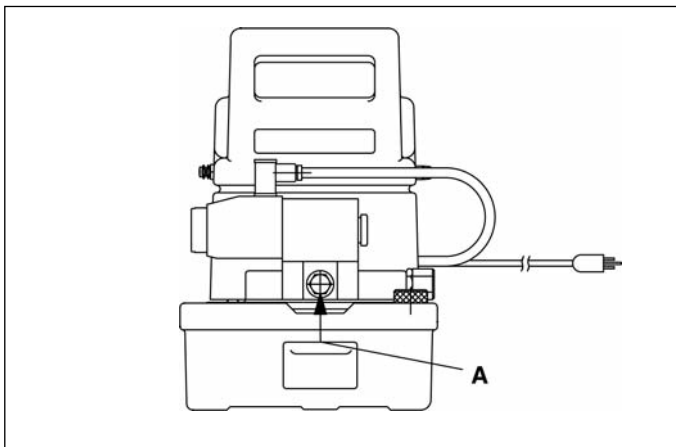


Figure 4

### 4.2 Sequence de Montage (Figure 5)

1. Démontez la plaque (n. 1, D43918098).
2. Montez le connecteur (n. 2) sur la pompe. Evitez tout endommagement des foins durant l'installation.

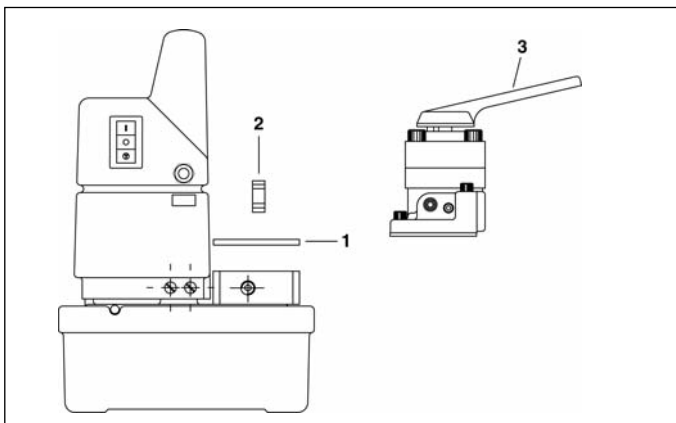


Figure 5

3. Montez la valvula (n. 3). Evitez tout endommagement des foins durant l'installation.

### 4.3 Appoint d'huile (Figure 6)

Vérifier le niveau d'huile. Pour ce faire, desserrer et retirer le bouchon de remplissage/aération (F). Ajouter de l'huile hydraulique Enerpac jusqu'à ce que le niveau se trouve à 1 cm au-dessous du goulot de remplissage/aération.

**IMPORTANT:** n'ajouter de l'huile que lorsque tous les composants du système sont rétractés, sans quoi le système contiendrait une quantité d'huile supérieure à la contenance du réservoir.

## 5.0 FONCTIONNEMENT

**NOTA :** Pour éviter les pertes de puissance entre la prise secteur et le moteur de la pompe, utiliser un prolongateur le plus court possible. Bien que le moteur fonctionne sous faible tension, le régime et le débit d'huile sont réduits.

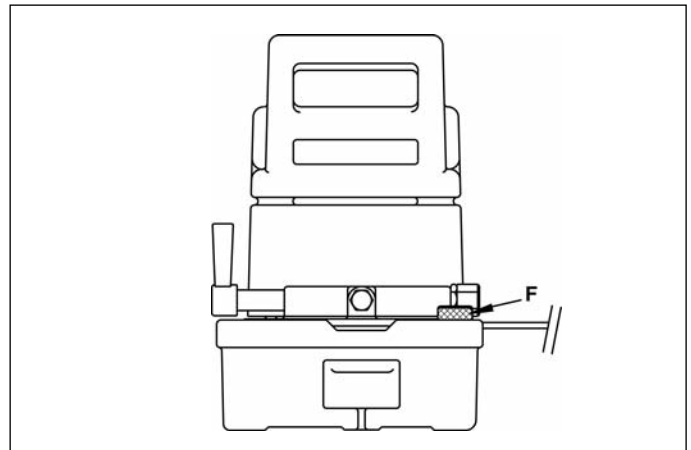


Figure 6

1. Vérifier que tous les raccords et branchements du système sont bien serrés et ne présentent pas de fuites.
2. Vérifier le niveau de fluide et faire l'appoint selon le besoin.
3. Ouvrir le bouchon reniflard (F) de la pompe, situé sur le coin avant droit du réservoir en le tournant d'un ou deux tours complets.



**ATTENTION:** Le bouchon reniflard doit toujours être ouvert lorsque la pompe est en marche.

### 5.1 Usage du commutateur (Figure 7)

La version "B" requiert un circuit monophasé de 15 A, 120 V, mis à la terre et la version "E" un circuit monophasé de 220 V. Le cordon d'alimentation de la pompe mesure 1,5 mètre.

1. Le commutateur de la pompe est placé sur le côté du capot C'est un commutateur à trois positions : la position du haut "ON" (I) met le circuit sous tension, celle du centre "OFF" (O) le met hors tension et celle du bas "MOM"(T) fait tourner le moteur momentanément. Lorsque le commutateur est en position "ON", le circuit est mis sous tension, mais le moteur reste arrêté. Le moteur est mis en marche avec l'interrupteur à gland (G).
2. Lorsque le bas du commutateur à trois positions est enfoncé le moteur tourne jusqu'à ce que le commutateur soit relâché, ce qui arrête également la pompe. Cette commande est utilisée comme alternative de l'interrupteur à gland.

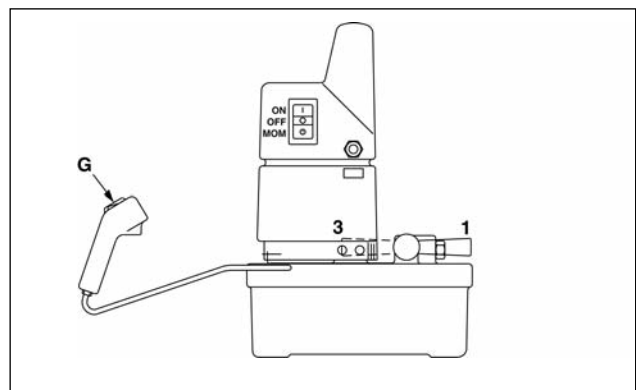


Figure 7

### 5.2 Vanne de commande de la pompe

#### Modèles PUJ-1200B/E et PUJ-1201B/E

La vanne de commande de la pompe contrôle l'extension et la rétraction des composants du système hydraulique, Ces modèles sont équipés de vannes à 3 voies et 2 positions. Les positions de

la vanne sont illustrées à la figure 8: 1 - Extension 3 - Rétraction. Pour étendre le vérin, mettre la vanne en position d'extension (1) et appuyer sur l'interrupteur à gland. Le cylindre s'étend jusqu'à ce que l'interrupteur soit relâché. Pour rétracter le vérin, mettre la vanne en position de rétraction (3). Le vérin se rétracte, que la pompe soit en marche ou non.

### Modèles PUJ-1400B/E et PUJ-1401B/E

Les vannes de commande des pompes PUJ-1400B/E et PUJ-1401B/E sont du type à 4 voies, 3 positions, pour usage avec vérins à double effet lorsque l'extension et la rétraction sont commandées hydrauliquement.

Les positions de la vanne sont illustrées à la figure 8:

1 - Extension 2 - Rétraction 3 - Neutre.

Dans chacune des positions, le mouvement du vérin est commandé par l'interrupteur à gland.

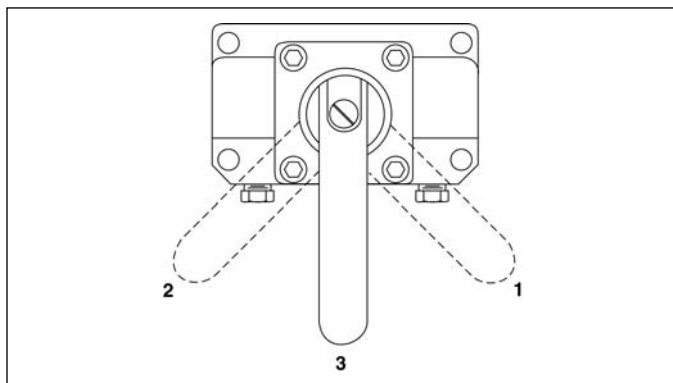


Figure 8

### Modèles PUD-1100B/E et PUD-1101B/E

Les modèles PUJ-1100B/E et PUJ-1101B/E sont utilisés pour les vérins à simple effet, lorsque la fonction de maintien n'est pas nécessaire. L'interrupteur à gland commande le démarrage du moteur et l'extension du vérin. Lorsque l'interrupteur est relâché, le vérin se rétracte.

### PUD1300B/E et le modèle PUD1301B/E

Dans le cas où une fonction de maintien de pression est nécessaire pour activer un vérin simple effet, il faut prendre les modèles PUD1300B/E ou PUD1301B/E. Appuyer sur le bouton avance pour démarrer la pompe et faire sortir le vérin. Quand vous relâchez le bouton avance, le vérin reste en position avec maintien de la pression. Pour faire revenir le vérin, appuyez sur le bouton retour.

**NOTA :** Lors de la relache du bouton avance, le mouvement du vérin ne s'arrête pas instantanément, ceci étant dû à l'inertie du moteur.

### 5.3 Relais thermique (tous les modèles)

Pour protéger la pompe, un relais interne arrête le moteur lorsque la température de l'huile atteint 65 °C. Lorsque la température retombe au-dessous de 54 °C le relais est automatiquement réactivé.

### 5.4 Purge d'air

Lorsque le système hydraulique est connecté pour la première fois, de l'air est emprisonné dans les composants. Pour assurer un fonctionnement en douceur et sans danger, purger le système en étendant et rétractant plusieurs fois les vérins à vide. L'air est purgé du système dès que les vérins s'étendent et se rétractent sans hésitation.



**AVERTISSEMENT:** Pour éviter des blessures et des dommages à l'équipement, ne pas continuer d'appliquer la pression aux cylindres une fois qu'ils sont en bout de course ou que la pression maximum de fonctionnement est atteinte.

## 6.0 RÉGLAGE DE LA SOUPAPE DE SÛRETÉ

La soupape de sûreté principale est interne, non réglable et réglée en usine pour une pression maximum de fonctionnement de 700 bar. Une seconde soupape de sûreté, externe, se trouve sous un capuchon hexagonal, sur le côté droit de la pompe. Cette soupape est réglable de 700 bar à 140 bar. La pression maximum peut être réglée à moins, mais pas à plus de 700 bar. (Les modèles PUJ-1400B/E et PUJ-1401B/E ne sont pas équipés de soupapes de sûreté externes réglables.)

### Réglage de la soupape de sûreté (Figure 9)

1. Installer un manomètre comme indiqué à la page 9 du manuel d'instructions.
2. Placer un bouchon sur l'orifice de sortie de la vanne.
3. Retirer le capuchon hexagonal (H) couvrant la vis de réglage de la soupape.
4. À l'aide d'une clé Allen, donner à la vis de réglage un tour complet vers la gauche.
5. Mettre la pompe sous tension "ON" (I) et faire tourner le moteur jusqu'à ce que l'aiguille du manomètre indique la pression maximum. Arrêter la pompe.
6. Continuer le réglage jusqu'à ce que la pression désirée soit obtenue.
7. Actionner plusieurs fois la pompe pour vérifier le réglage. Si l'indication du manomètre est la même chaque fois, le réglage est stable.
8. Replacer le capuchon hexagonal sur la vis de réglage.

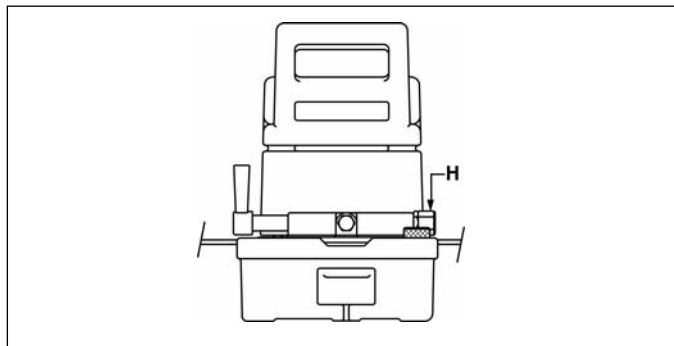


Figure 9

**NOTA :** Pour obtenir le réglage le plus précis possible, commencer par une pression plus basse et régler jusqu'à obtention de la pression désirée.



**AVERTISSEMENT:** Pour éviter des blessures et des dommages à l'équipement, ne pas essayer de dépasser la pression maximum de fonctionnement de 700 bar.

## 7.0 ENTRETIEN

### 7.1 Vérification du niveau d'huile

Vérifier le niveau du réservoir d'huile hydraulique toutes les 40 heures de fonctionnement. Si nécessaire, ajouter de l'huile jusqu'à ce que le niveau se trouve à 1 cm au-dessous du goulot de remplissage. Utiliser exclusivement de l'huile hydraulique Enerpac. L'usage d'autres huiles ou fluides peut endommager le système, ce qui annulerait la garantie Enerpac.

## 7.2 Vidange de l'huile (Figure 10)

Vider complètement le réservoir après 100 heures de fonctionnement. Le remplir d'huile hydraulique fraîche. Si la pompe est utilisée dans un environnement très poussiéreux, ou est exposée à des températures élevées, effectuer la vidange plus fréquemment.

1. Pour vider le réservoir, retirer le bouchon de remplissage/aération **(F)** du coin supérieur droit du réservoir.
2. Basculer la pompe jusqu'à ce que toute l'huile usagée soit vidée.
3. Remplir d'huile fraîche par le même trou. La contenance du réservoir est de 2,8 l ou 5,7 l, suivant le modèle.
4. Replacer le bouchon de remplissage **(F)**.

## 7.3 Nettoyage du réservoir

Le réservoir de la pompe peut être retiré aux fins de nettoyage. Si la pompe est constamment utilisée dans un environnement extrêmement poussiéreux, le réservoir doit être nettoyé une fois par an.

1. Vider le réservoir comme expliqué aux étapes 1 et 2 du paragraphe "Vidange de l'huile".
2. Retirer les six vis fixant le capot sur le réservoir. Retirer le capot du réservoir. Le moteur est entouré d'un coussin de mousse destiné à tenir les fils à l'écart du moteur. Veiller à ne pas endommager ou débrancher les fils.
3. Retirer les huit vis fixant la pompe sur le réservoir. Retirer la pompe du réservoir et enlever le joint.

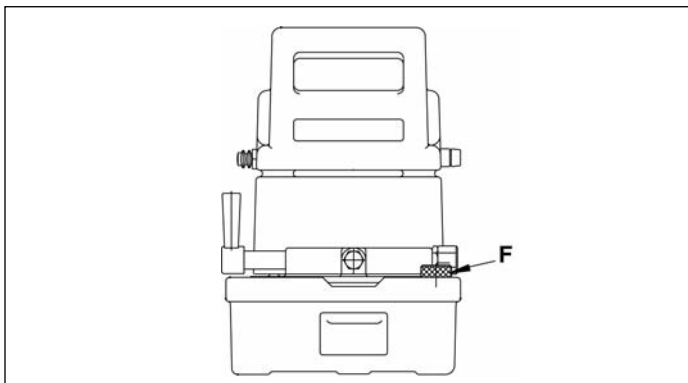


Figure 10

4. Nettoyer soigneusement le réservoir avec un solvant approprié.
5. Remonter la pompe et le réservoir, avec un joint neuf. Replacer le capot sur le moteur, sa poignée du côté soupape de la pompe. Replacer les six vis de montage et les rondelles de blocage intérieures/extérieures.

Si la pompe doit être réparée, contacter un centre de dépannage Enerpac local agréé.

## 7.4 Brosses du moteur

Vérifier les brosses du moteur électrique une fois tous les deux ans minimum. Pour les pompes sur des applications fréquemment utilisées, vérifier les brosses une fois tous les six mois minimum.



**DANGER** : pour éviter les risques d'électrocution, débrancher complètement la pompe de toute source électrique avant d'effectuer l'entretien des brosses.

## 8.0 DÉPANNAGE (Voir le Tableau)

Le Tableau de dépannage sert de guide pour vous aider à diagnostiquer et corriger divers problèmes de pompe éventuels.

Seuls les techniciens hydrauliques agréés doivent dépanner et réparer la pompe. Pour obtenir un service de réparation, contacter le Centre de service Enerpac agréé de votre région.

### 8.1 Disjoncteur (Pompe avec code de date « F » et ultérieur)

En cas de surcharge électrique, le disjoncteur de pompe se déclenchera. Après avoir recherché et corrigé la source de la surcharge, enfoncer le bouton du disjoncteur pour réinitialiser.

### 8.2 Fusibles (Pompes avec code de date « F » et ultérieur)

Des fusibles internes protègent les circuits primaire et secondaire du transformateur de contrôle. Si un fusible venait à griller, rechercher et corriger la raison de la défaillance. Puis, remplacer le fusible grillé par un nouveau fusible de calibre approprié. Pour connaître les calibres de fusible, consulter la fiche des pièces de rechange de votre modèle de pompe.



**ATTENTION** : toujours débrancher le courant électrique avant de remplacer les fusibles.

## 9.0 NORMES DE TEST

### 9.1 Canadian Standards Association (CSA)

Lorsque cela est requis, les ensembles de pompe répondent aux critères de conception et de test de la CSA, la Canadian Standards Association (se reporter à CAN/CSA — C22.2 N° 68-92, Appareils à moteur).

### 9.2 Conformité Européenne (CE)

Lorsque cela est requis, une déclaration de conformité CE et le label CE du produit est fourni(e). Ces produits sont conformes aux normes européennes EN982:1996, EN1050:1998 et EN-ISO-12100-1&2:2003, et aux directives EC Directives 2006/42/EC, 97/23/EC, 2004/108/EC, 2006/95/EC et 97/23/EC.

## TABLEAU DE DEPANNAGE

Problème	Cause possible	Solution
La pompe ne démarre pas.	Pas d'alimentation électrique. Tension incorrecte.	Vérifier la source d'alimentation électrique. Consulter les spécifications de tension à la page 8.
Le vérin ne s'étend ou ne se rétracte pas.	Niveau de liquide insuffisant. Tamis d'admission colmaté. Vanne en position incorrecte. Vanne défectueuse.	Remplir le réservoir au niveau correct. Nettoyer ou remplacer les tamis d'admission. Mettre la vanne en position de pression. Faire réparer la pompe par un technicien hydraulique qualifié.
Le vérin s'étend ou se rétracte par à-coups.	Air dans le système.  Fuite externe du système.  Fuite hydraulique interne.	Purger l'air du système en ouvrant et refermant l'outil, jusqu'à ce qu'il fonctionne sans à coups. Serrer les branchements qui fuient. Remplacer tout flexible ou raccord endommagé. Faire réparer la pompe par un technicien hydraulique qualifié.
La pompe ne maintient pas la pression.	Fuite hydraulique externe.  Fuite hydraulique interne.	Serrer les branchements qui fuient. Remplacer tout flexible ou raccord endommagé. Faire réparer la pompe par un technicien hydraulique qualifié.
Faible débit de fluide.	Niveau de fluide insuffisant. Fuite de composants de la pompe. Mauvais fonctionnement de la vanne de dérivation. Les tamis d'admission de fluide sur les blocs de piston peuvent être colmatés par des débris.	Remplir le réservoir au niveau correct. Tester pour localiser les fuites.  Faire réparer la pompe par un technicien hydraulique qualifié. Inspecter les tamis d'admission. Rincer tous les composants. Remplacer tout composant endommagé.

L2062 Rev. E 06/11

#### 1.0 WICHTIGE VERFAHRENSHINWEISE FÜR DEN EMPFANG:

Alle Komponenten auf sichtbare Transportschäden inspizieren. Transportschäden sind **nicht** von der Garantie gedeckt. Werden solche Schäden festgestellt, ist unverzüglich das Transportunternehmen zu verständigen. Das Transportunternehmen ist für alle Reparatur- und Ersatzkosten, die auf Transportschäden zurückzuführen sind, verantwortlich.

#### SICHERHEIT GEHT VOR

#### 2.0 SICHERHEITSFragen



Alle Anleitungen, Warnungen und Vorsichtshinweise sorgfältig durchlesen. Beachten Sie alle Sicherheitsvorkehrungen, um Verletzungen oder Sachschäden während des Systembetriebs zu vermeiden. Enerpac ist weder für Schäden noch Verletzungen haftbar, die durch einen fahrlässigen Gebrauch des Produkts, mangelhafte Instandhaltung oder eine unvorschriftsmäßige Anwendung des Produkts und/oder des Systems verursacht werden. Bei evtl. Fragen in bezug auf Sicherheitsvorkehrungen und Betriebsabläufe wenden Sie sich bitte an ENERPAC. Wenn Sie an keinerlei Sicherheitsschulungen im Zusammenhang mit Hochdruckhydraulikanlagen teilgenommen haben, fordern Sie von Ihrer Vertriebs- und Kundendienstzentrale einen kostenlosen Enerpac-Hydraulik-Sicherheitskurs an.

Ein Mißachten der folgenden Vorsichtshinweise und Warnungen kann zu Geräteschäden und Verletzungen führen.

Mit einem **VORSICHTSHINWEIS** wird auf ordnungsgemäße Betriebs- oder Wartungsverfahren und -praktiken hingewiesen, um Schäden an den Geräten oder anderen Sachwerten bzw. deren Zerstörung zu vermeiden.

Eine **WARNUNG** verweist auf eine potentielle Verletzungsgefahr, die durch ordnungsgemäße Verfahren oder Praktiken vermieden werden kann.

Ein **GEFAHRENSHINWEIS** wird nur dann gegeben, wenn eine bestimmte Handlung oder die Unterlassung einer bestimmten Handlung schwere oder tödliche Verletzungen zur Folge haben kann.



**WARNUNG:** Beim Betrieb hydraulischer Anlagen geeignete Schutzkleidung und -ausrüstung tragen.



**WARNUNG: Von Lasten fernhalten, die durch ein Hydrauliksystem abgestützt werden.** Ein als Lastenhebergerät eingesetzter Zylinder darf niemals als ein Lastenhaltergerät verwendet werden. Nach Heben oder Senken der Last muß diese stets auf mechanische Weise gesichert werden.



**WARNUNG ZUM SICHERN VON LASTEN STETS NUR STARRE TEILE VERWENDEN.** Zum Abstützen von Lasten sorgfältig dazu geeignete Stahl- oder Holzblöcke auswählen. Bei Hebe- oder Drückanwendungen keinesfalls einen Hydraulikzylinder als Abstandsstück oder -halter verwenden.



**GEFAHR:** Zur Vermeidung von Verletzungen während des Betriebs Hände und Füße von Zylinder und Werkstück fernhalten.



**WARNUNG:** Die zugelassene Nennleistung der Geräte nicht überschreiten. Keine Last zu heben versuchen, deren Gewicht das Hebevermögen des Zylinders übersteigt. Überlasten verursachen Maschinenausfälle und können zu Verletzungen führen. Die Zylinder wurden für einen max. Druck von 700 bar konstruiert. Keinen Heber oder Zylinder an eine Pumpe mit einer höheren nominalen Druckleistung anschließen.



Das Überdruckventil **keinesfalls** auf einen höheren Druck als den maximal zulässigen Druck der Pumpe einstellen. Höhere Einstellungen können zu Geräteschäden und/oder Verletzungen führen.



**WARNUNG:** Der Systembetriebsdruck darf den zulässigen Nominaldruck der Systemkomponente mit der niedrigsten Nennleistung nicht überschreiten. Zur Überwachung des Betriebsdrucks sind Manometer im System zu installieren. Dies ist das Fenster zu den Abläufen im System.



**VORSICHT: Beschädigungen am Hydraulikschlauch vermeiden.** Beim Verlegen der Hydraulikschläuche enge Bögen und Abknicken vermeiden. Der Einsatz eines gebogenen oder geknickten Schlauchs führt zu einem hohen Rückstau. Starke Biegungen und Knickstellen schädigen den Schlauch auf der Innenseite und führen zu dessen vorzeitigem Ausfall.



**Keine** schweren Gegenstände auf den Schlauch fallen lassen. Starke Erschütterungen können Schäden an den im Schlauchinnern verlaufenden Drahtlitzen verursachen. Ein Schlauch, auf den Druck ausgeübt wird, kann bersten.



**WICHTIG:** Hydraulische Geräte weder an den Schläuchen noch den Gelenkanschlüssen anheben. Dazu den Tragegriff oder eine andere sichere Transportmethode verwenden.



**VORSICHT: Hydraulische Geräte von Flammen und Hitzequellen fernhalten.** Zu hohe Temperaturen weichen Füllungen und Dichtungen auf und bewirken Flüssigkeitslecks. Große Hitze schwächt außerdem die Schlauchmaterialien und -dichtungen. Zur Gewährleistung einer optimalen Leistung darf die Anlage keinen Temperaturen über 65°C ausgesetzt werden. Außerdem müssen Schläuche und Zylinder beim Schweißen vor Funkenschlag geschützt werden.



**GEFAHR:** Nicht mit unter Druck stehenden Schläuchen hantieren. Unter Druck austretendes Öl kann in die Haut eindringen und schwere Verletzungen verursachen. Falls Öl unter die Haut gelangt, ist sofort ein Arzt aufzusuchen.



**WARNUNG: In einem gekoppelten System dürfen nur Hydraulikzylinder verwendet werden.** Niemals einen Zylinder mit unverbundenen Kupplungen verwenden. Bei einer extremen Überlastung des Zylinders können dessen Komponenten einen Sprungvollausschlag erleiden, was schwere Verletzungen hervorrufen kann.



**WARNUNG: Sicherstellen, dass die Anlage stabilisiert, bevor eine Last angehoben wird.** Der Zylinder sollte auf einer ebenen Oberfläche aufsitzen, die fest genug ist, um die Last abzustützen. Wenn möglich einen Zylinderfuß verwenden, um größere Stabilität zu gewährleisten. Keine Schweißarbeiten oder andere Änderungen am Zylinder vornehmen, um einen Zylinderfuß oder andere Abstützungen anzubringen.



Situationen vermeiden, in denen die Lasten nicht direkt über dem Kolben des Zylinders ausgerichtet sind. Seitlich versetzte Lasten führen zu erheblicher Belastung der Zylinder und Kolben. Außerdem könnte die Last ins Rutschen geraten oder fallen, was zu äußerst gefährlichen Situationen führen kann.



Die Last gleichmäßig über die gesamte Fläche des Druckstückes verteilen. Den Kolben immer mit einem Druckstück schützen, wenn keine Zusatzgeräte mit Gewinde benutzt werden.



**WICHTIG:** Hydraulische Geräte müssen von einem qualifizierten Hydrauliktechniker gewartet werden. Bei Reparaturarbeiten an die autorisierte ENERPAC-Kundendienstzentrale der jeweiligen Region wenden. Zur Aufrechterhaltung der Garantie nur ENERPAC-Öl verwenden.



**WARNUNG:** Abgenutzte oder beschädigte Teile unverzüglich durch ENERPAC-Originalteile ersetzen. Standardteile anderer Hersteller versagen und verursachen Verletzungen und Sachschäden. ENERPAC-Teile werden so konstruiert, daß sie richtig passen und hohen Lasten standhalten.



**VORSICHT:** Prüfen Sie die technischen Daten und Angaben auf dem Motorschild. Der Anschluß an eine ungeeignete Stromquelle führt zu Motorschaden.

### 3.0 Technische Daten

	“B”-Modelle	“E”-Modelle
<b>Betriebsdruck</b>	0 - 700 bar	
<b>Elektrische Anschlußwerte</b>	15 A, 120 V, geerdet, einphasig, 50/60 Hz	10 A, 220 V, einphasig, 50/60 Hz
<b>Motornennleistung</b>	0,37 kW Universalmotor, 9 A bei 700 bar und 12.000 U/min, Betrieb bei 60 - 125 V, 85 - 89 dBA	0,37 kW Universalmotor, 4 A bei 700 bar und 12.000 U/min, 85 - 89 dBA
<b>Fördermenge</b>	3,3 l/min bei 0 bar bis 14 bar, und 0,33 l/min bei 700 bar	
<b>Max. Betriebstemperatur</b>	65 °C	

Modellnr.	Verwendeter Zylinder	Ventiltyp	Nutzbares Ölfassungsvermögen	Gewicht
PUD-1100B/E	einfachwirkend	Ablaßventil	2,00 l	14 kg
PUD-1101B/E			3,79 l	20 kg
PUD-1300B/E	einfachwirkend	Schnellablass / Druckhaltung	2,00 l	14 kg
PUD-1301B/E			2,00 l	20 kg
PUJ-1200B/E	einfachwirkend	3-Wege, 2 Stellungen	2,00 l	12 kg
PUJ-1201B/E			3,79 l	18 kg
PUJ-1400B/E	doppeltwirkend	4-Wege, 3 Stellungen	2,00 l	15 kg
PUJ-1401B/E			3,79 l	20 kg



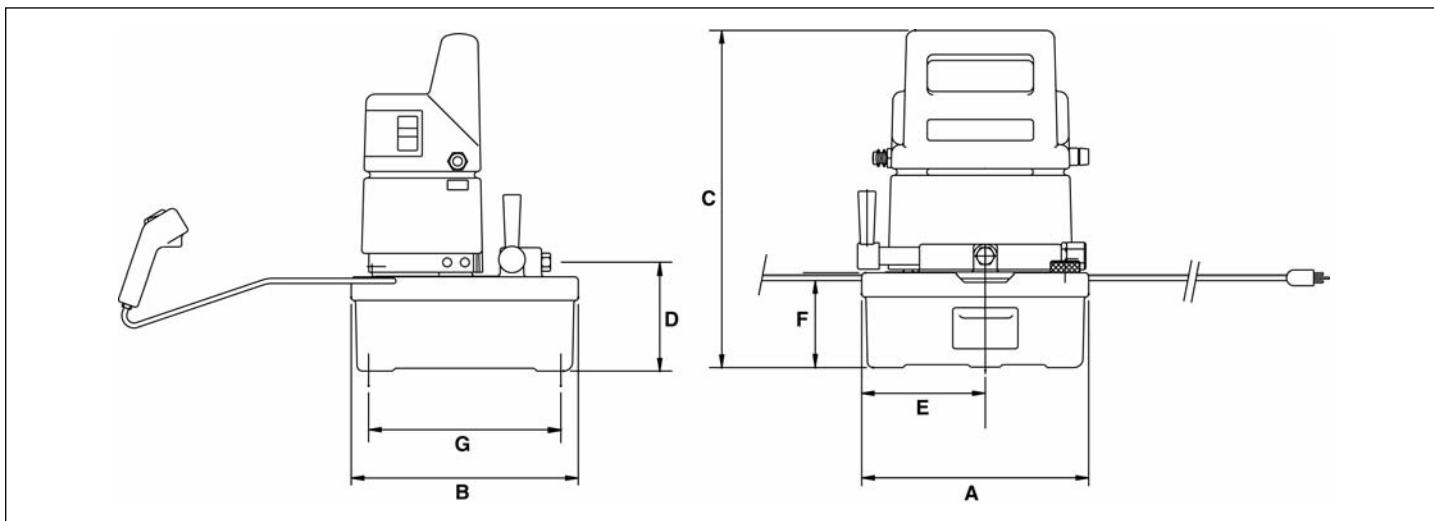


Abbildung 1

Abmessungen cm								
Modelle	A	B	C	D	E	F	G	H
PUD-1100B/E, PUD-1300B/E, PUJ-1200B/E, PUJ-1400B/E	24,43	24,43	36,20	11,99	13,34	10,16	20,62	1,90
PUD-1101B/E, PUD-1301B/E, PUJ-1201B/E, PUJ-1401B/E	30,94	36,83	10,54	13,00	14,27	10,54	32,43	1.57

\*Die Abmessung "D" beträgt 15,7 cm an Model PUJ-1400B/E und 16,7 cm an Modell PUJ-1401B/E.

## 4.0 INSTALLATION

### 4.1 Hydraulikanschlüsse

Alle Gewinde 1 1/2-mal mit Teflon-Band (oder einer geeigneten Gewindedichtung) umwickeln, dabei den ersten kompletten Gewindegang freilassen, um zu vermeiden, daß Teile des Bands in das Hydrauliksystem gelangen, und Schaden verursachen. Lose Enden abschneiden.



**VORSICHT:** Um ordnungsgemäßen Betrieb zu gewährleisten, darauf achten, daß Schläuche nicht geknickt oder stark gebogen werden. Wenn ein Schlauch Knicke oder sonstige Schäden aufweist, muß er ausgetauscht werden. Ein beschädigter Schlauch kann bei hohem Druck reißen und Verletzungen verursachen.

#### Modelle PUJ-1200B/E, PUJ-1201B/E

1. Den Transportstöpsel aus dem .250-18 NPT Manometeranschluß (A) oberhalb des Steuerventils entfernen.
2. Ein 1035 bar Manometer im Manometeranschluß (A) installieren.
3. Bringen Sie ggf. einen Hydraulikschlauch am Ventilauslass RD / BRD an.
4. Einen Schlauch in den Tankrücklaufanschluß (C) einschrauben, um eine Rückleitung anzuschließen.

#### Modelle PUJ-1400B/E, PUJ-1401B/E

1. Den Transportstöpsel aus dem Ventilausfahranschluß (D) entfernen. Einen 1035 bar Manometeradapter im .375-18 NPT Ausfahranschluß (D) installieren.
2. Ein 1035 bar Manometer im oberen Anschluß des Manometeradapters installieren.
3. Schließen Sie einen Hydraulikschlauch am Adapterende des Manometerausgangs (.375-18 NPT) an. Eine Kupplungshälfte des Schlauchs mit der Kupplungshälfte des Zylinderausfahranschlusses verbinden. Den Kupplungsbund von Hand fest anziehen. Zum Festziehen der beiden Kupplungshälften KEINE Werkzeuge verwenden.

4. Bei einem Kreislauf mit doppelwirkendem Zylinder bringen Sie den Schlauch am Rückfahranschluß (E) des Steuerventils an. Die Kupplungshälfte des Schlauchs mit der Kupplungshälfte des Zylindereinfahranschlusses verbinden.

#### PUJ-1200B/E, PUJ-1201B/E

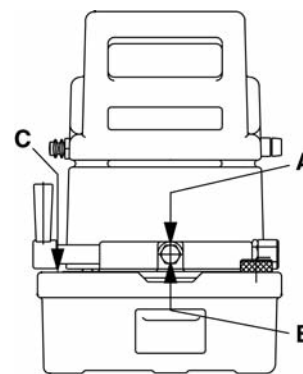


Abbildung 2

#### PUJ-1400B/E, PUJ-1401B/E

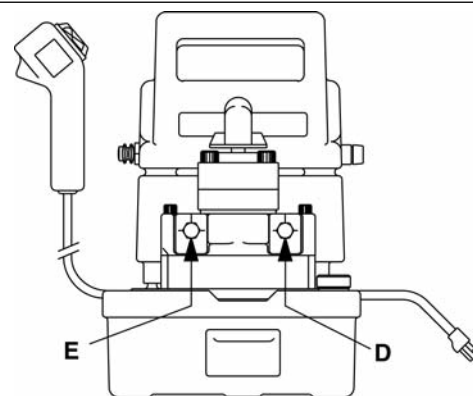
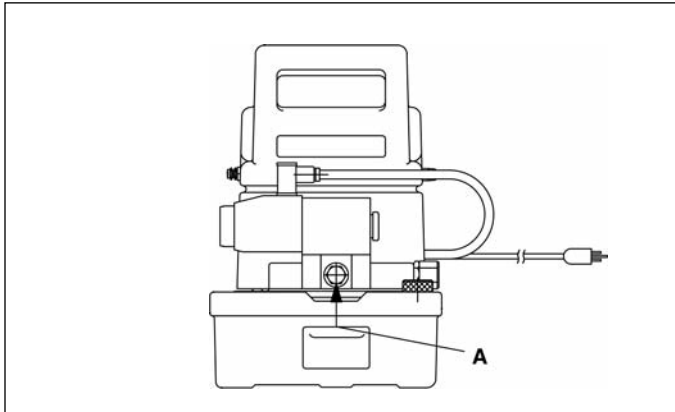


Abbildung 3

**PUD1100B/E, PUD-1101B/E, PUD1300B/E und PUD1301B/E Modelle**

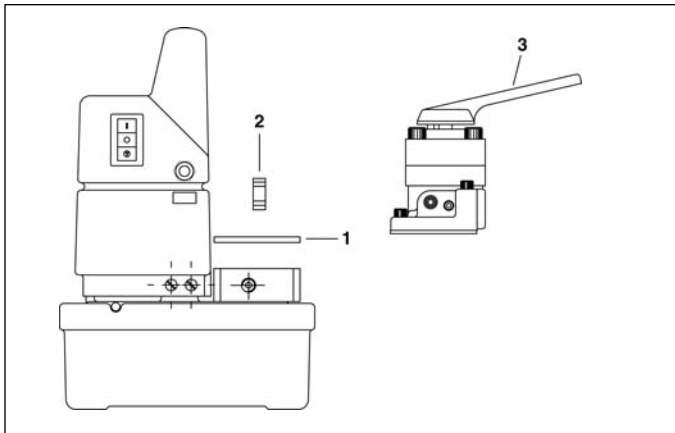
1. Die Schlauchleitung, die die Pumpe mit dem Zylinder verbindet, wird direkt in den Oelanschluss A am Betaetigungsventil eingeschraubt (siehe Abb. 4).
2. Falls Sie den Druck im Hydrauliksystem ueberwachen wollen, muessen Sie einen Manometer-Adapter in den Oelanschluss A einschrauben. Anschliessend schrauben Sie ein 0-10.000 psi (0-700 bar) Manometer in den Manometer-Anschluss des Adapters ein.



**Abbildung 4**

**4.2 Montageanleitung (Abbildung 5)**

1. Entternen Sie die Grundplatte (n. 1, D43918098)
2. Montieren Sie den Verbindungsnippel in die Pumpe (n. 2). Vermeiden Sie das absheren der Dichtungen.



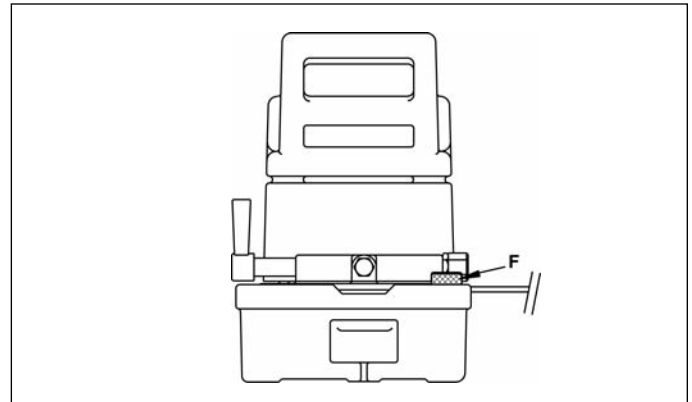
**Abbildung 5**

3. Monieren Sie das Ventil (n. 3). Vermeiden Sie das absheren der Dichtungen.

**4.3 Nachfüllen von Öl (Abbildung 6)**

Zur Prüfung des Ölstands den Stöpsel der Entlüftungs-/Einfüllöffnung (F) abschrauben. Enerpac Hydrauliköl nachfüllen, bis der Ölspiegel 1 cm unterhalb der Entlüftungs-/Einfüllöffnung liegt.

**WICHTIG:** Nur dann Öl nachfüllen, wenn alle Systemkomponenten vollständig eingefahren sind, da sich sonst im System mehr Öl befindet, als der Tank aufnehmen kann.



**Abbildung 6**

**5.0 BETRIEB**

**HINWEIS:** Um keinen Leistungsverlust zwischen der elektrischen Steckdose und dem Pumpenmotor einzubüßen, ein möglichst kurzes Verlängerungskabel verwenden. Der Pumpenmotor funktioniert bei niedriger Spannung, jedoch sind die Motordrehzahl und Ölfördermenge geringer.

1. Alle Systemverbindungen und -anschlüsse auf festen und leckfreien Sitz überprüfen.
2. Den Flüssigkeitsstand überprüfen und ggf. Flüssigkeit nachfüllen.
3. Den Pumpenentlüftungsdeckel (F) in der vorderen, rechten Ecke des Tanks mit ein bis zwei vollständigen Umdrehungen öffnen.

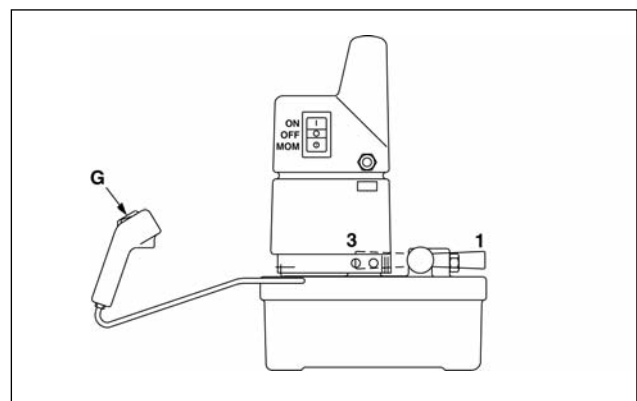


**VORSICHT:** Wenn die Pumpe läuft, muß die Entlüftungsöffnung offen sein.

**5.1 Schalterbedienung (Abbildung 7)**

Die "B"-Version erfordert eine geerdete, einphasige 15 A, 120 V Schaltung. Für die "E"-Version sind 220 V, einphasig, erforderlich. Das Netzkabel der Pumpe ist 1,5 m lang.

1. Der Pumpenschalter befindet sich seitlich an der Schutzhaube. Er ist als Dreiwegeschalter ausgelegt: der obere Anschlag ist für "ON" (I), der mittlere für "OFF" (O) und der untere für Momentankontakt "MOM" (T) vorgesehen.
2. Bei Drücken auf die obere Stellung "ON" (I) wird die elektrische Schaltung aktiviert, nicht jedoch der Pumpenmotor. Der Pumpenmotor wird über die Fernbedienung (G) eingeschaltet. Er läuft, so lange der untere Teil des Schalters gedrückt gehalten wird. Bei Loslassen des Schalters stellt sich die Pumpe ab. Diese Momentanschalt-erstellung kann anstelle der Fernbedienung verwendet werden.



**Abbildung 7**

## 5.2 Pumpensteuerventil (Abbildung 8)

### Modelle PUJ-1200B/E, PUJ-1201B/E

Das Pumpensteuerventil steuert die Zufuhr, bzw. den Rücklauf der hydraulischen Flüssigkeit zu, bzw. von den Hydrauliksystemkomponenten. Diese Modelle verfügen über Dreiwegeventile mit jeweils zwei Stellungen. Die Ventilstellungen sind in Abbildung 8 dargestellt: 1 - Ausfahren 3 - Einfahren.

Zum Ausfahren des Zylinders das Ventil auf die Ausfahrposition (1) stellen und den Fernbedienungsschalter drücken. Der Zylinder fährt so lange aus, bis die Fernbedienung losgelassen wird. Zum Einfahren des Zylinders das Ventil auf die Einfahrstellung (3) stellen. Der Zylinder wird sowohl bei laufender als auch bei abgestellter Pumpe eingefahren.

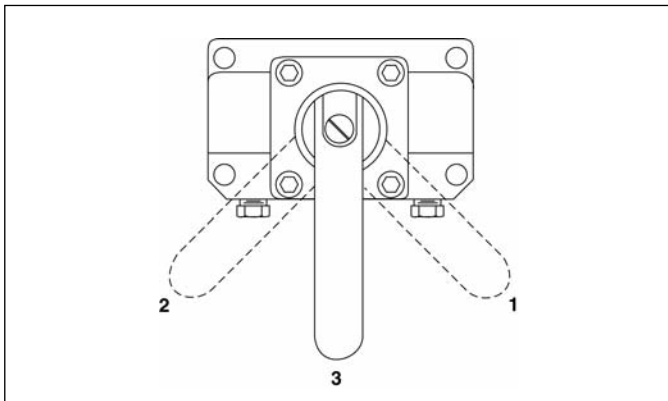


Abbildung 8

### Modelle PUJ-1400B/E, PUJ-1401B/E

Die Pumpenmodelle PUJ-1400B/E und PUJ-1401B/E verfügen über Vierwegeventile mit jeweils drei Positionen zum Einsatz mit doppelwirkenden Zylindern, deren Aus- und Einfahrbewegung hydraulisch aktiviert wird. Die Ventilstellungen sind in Abbildung 8 dargestellt: 1 - Ausfahren 2 - Einfahren 3 - Leerlauf

Die Zylinderbewegung wird in allen Stellungen über den Fernbedienungsschalter gesteuert.

### Modelle PUD-1100B/E, PUD-1101B/E

Die Modelle PUD-1100B/E und PUD-1101B/E betreiben einfachwirkende Zylinder, wenn keine Haltefunktion notwendig ist. Drücken des Fernbedienungsschalters startet den Motor und fährt den Zylinder aus. Bei Loslassen des Schalters wird der Zylinder eingefahren.

### PUD1300B/E und PUD1301B/E Modelle

Die PUD1300B/E und PUD1301B/E Pumpen bedienen einfachwirkende Zylinder, bei denen eine Druckhalte-Funktion erforderlich ist. Drücken Sie den Ausfahr-Knopf, um die Pumpe zu starten und den Zylinder auszufahren. Sobald Sie den Ausfahr-Knopf loslassen stoppt die Pumpe und der Zylinder haelt den gegenwaertigen Innendruck in Zusammenwirken mit dem Ventil. Durch Druecken des Einfahr-Knopfes oeffnen Sie das Ventil und der Zylinder faehrt wieder ein.

BEACHTET: Nach dem Loslassen des Ausfahr-Knopfes hat der Motor eine gewisse Nachlaufzeit, abhaengig von dem entgegenwirkenden Druck im Hydrauliksystem. Aufgrund dieser Tatsache wird die Zylinderbewegung nicht unmittelbar mit Loslassen des Ausfahr-Knopfes gestoppt. Vielmehr wird der Zylinder noch ein kleines Stueck weiter ausfahren, bis der Motor voellig zum Stillstand gekommen ist.

## 5.3 Thermorelais (alle Modelle)

Um die Pumpe vor Beschädigung zu schützen, schaltet ein interner Relaisschalter den Motor ab, sobald die Öltemperatur 65 °C erreicht. Wenn die Temperatur auf 54 °C absinkt, setzt sich das Relais automatisch zurück.

## 5.4 Entlüftung

Beim ersten Anschließen des Hydrauliksystems wird Luft in den Komponenten eingeschlossen. Um einen reibungslosen, sicheren Betrieb zu gewährleisten, muß das System entlüftet werden. Hierzu mehrere Betriebszyklen ohne Belastung der Zylinder durchlaufen. Wenn die Zylinder reibungslos aus- und einfahren, ist das System entlüftet.



**VORSICHT:** Um Verletzungen und Geräteschaden zu vermeiden, dürfen Zylinder nach Erreichen des maximalen Verfahrwegs bzw. des maximalen Betriebsdrucks nicht weiter unter Druck gesetzt werden.

## 6.0 EINSTELLUNGSBEREICH DES DRUCKENTLASTUNGSVENTILS

Das Hauptdruckentlastungsventil befindet sich im Inneren der Pumpe und ist nicht einstellbar. Es ist werkseitig auf einen maximalen Betriebsdruck von 700 bar eingestellt. Ein weiteres Druckentlastungsventil befindet sich unter einer Sechskantkappe rechts an der Pumpe. Das externe Druckentlastungsventil ist zwischen 700 bar und 140 bar einstellbar. Der Grenzwert für den Betriebsdruck kann niedriger als 700 bar, jedoch niemals höher als 700 bar liegen. (Die Modelle PUJ-1400B/E und PUJ-1401B/E sind nicht mit einem externen einstellbaren Druckentlastungsventil ausgestattet.)

## 6.1 Ändern der Einstellung des Druckentlastungsventils (Abbildung 9)

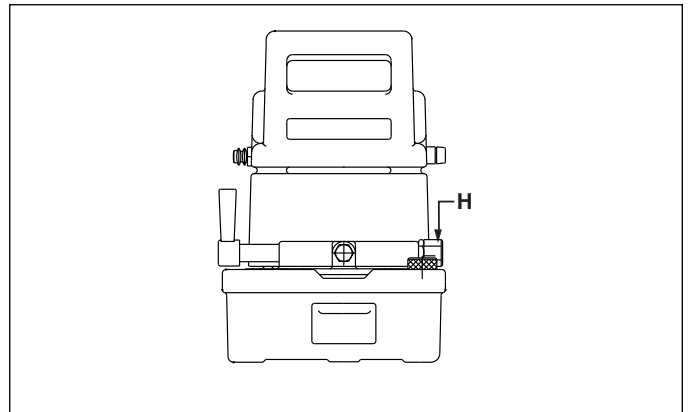


Abbildung 9

1. Ein Manometer gemäß den Installationsanweisungen auf Seite 15 installieren.
2. Einen Stöpsel in die Ventilauslaßöffnung einsetzen.
3. Die Sechskantkappe (**H**) über der Justierschraube des Druckentlastungsventils abschrauben.
4. Die Justierschraube mit einem Sechskant-Stiftschlüssel eine volle Umdrehung nach linksdrehen.
5. Die Pumpe einschalten und den Pumpenmotor laufen lassen, bis das Manometer den maximalen Druck anzeigt. Die Pumpe abstellen.
6. Weitere Nachstellungen vornehmen, bis der gewünschte Druck erreicht ist.

- Die Pumpe mehrmals laufen lassen, und die Einstellung überprüfen. Wenn das Manometer jedesmal den gleichen Wert anzeigt, ist die Ventileinstellung stabil.
- Die Sechskantkappe zur Abdeckung der Justierschraube wieder aufschrauben.

**HINWEIS:** Um das Druckentlastungsventil so präzise wie möglich einzustellen, mit einem niedrigeren Druck beginnen und den Druck nach und nach erhöhen, bis die gewünschte Einstellung erreicht ist.



**VORSICHT:** Um Geräteschaden und Verletzungen zu vermeiden, darf der maximale Betriebsdruck von 700 bar nicht überschritten werden.

## 7.0 INSTANDHALTUNG

### 7.1 Überprüfung des Ölstands

Den Ölstand des Hydrauliköltanks nach jeweils 40 Betriebsstunden prüfen. Falls erforderlich, Öl bis 1 cm unterhalb der Einfüllöffnung nachfüllen. Nur Enerpac Hydrauliköl verwenden. Die Verwendung anderer Öle oder Flüssigkeiten kann das System beschädigen, und die Garantieansprüche ungültig machen.

### 7.2 Ölwechsel (Abbildung 10)

Das gesamte Öl nach jeweils 100 Betriebsstunden ablassen. Mit neuem Hydrauliköl nachfüllen. Wenn die Pumpe in einer sehr staubigen Umgebung oder bei hohen Temperaturen betrieben wird, muß das Öl häufiger abgelassen und ausgetauscht werden.

- Um den Tank zu entleeren, den Entlüftungs-/Einfüllstöpsel (F) oben rechts am Tank abschrauben.
- Die Pumpe kippen, bis das gesamte Altöl abgelaufen ist.
- Frisches Öl durch dieselbe Öffnung nachfüllen. Die Füllmenge des Tanks beträgt je nach Modell 2,8 oder 5,7 l.
- Den Einfüllstöpsel (F) wieder aufschrauben.

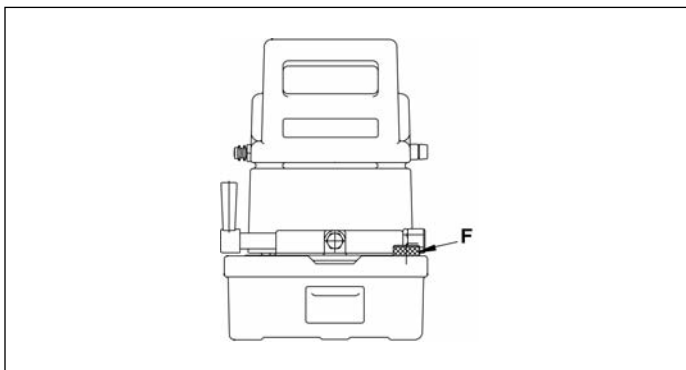


Abbildung 10

### 7.3 Reinigen des Tanks

Der Pumpentank kann zur Reinigung herausgenommen werden. Wenn die Pumpe ständig in einer extrem staubigen Umgebung verwendet wird, sollte der Tank einmal pro Jahr gereinigt werden.

- Das Öl gemäß Schritt 1 und 2 unter "Ölwechsel" aus dem Tank ablassen.
- Die sechs Schrauben entfernen, mit denen die Schutzhaube am Tank befestigt ist. Die Schutzhaube abheben. Der Motor ist mit einem Schaumpolster umwickelt, um die elektrischen Drähte vom Motor fernzuhalten. Vorsichtig vorgehen, damit die Drähte nicht beschädigt oder Anschlußklemmen herausgezogen werden.
- Die acht Schrauben lösen, mit denen die Pumpe am Tank befestigt ist. Die Pumpe vom Tank wegheben und die Dichtung abnehmen.

- Den Tank gründlich mit einem geeigneten Reinigungsmittel reinigen.
- Die Pumpe und den Tank wieder zusammenbauen und eine neue Dichtung einsetzen. Die Schutzhaube so über den Motor positionieren, daß der Griff der Schutzhaube zur Ventilseite der Pumpe zeigt. Die sechs Befestigungsschrauben und die internen/externen Sicherungsscheiben wieder anbringen.

Wenn die Pumpe repariert werden muß, wenden Sie sich an das für Sie zuständige autorisierte Enerpac Service-Center.

### 7.4 Motorbürsten

Überprüfen Sie die Elektromotorbürsten mindestens einmal alle zwei Jahre. Überprüfen Sie bei Anwendungen mit starker Nutzung die Bürsten mindestens einmal alle sechs Monate.



**GEFAHR:** Um Stromschläge zu vermeiden, muss die Pumpe vollständig vom Stromnetz getrennt werden, bevor Reparaturarbeiten durchgeführt werden.

## 8.0 FEHLERBEHEBUNG (SIEHE TABELLE)

Die Fehlerbehebungstabelle ist als Leitfaden gedacht, um Ihnen bei der Diagnose und Behebung verschiedener möglicher Pumpenprobleme zu helfen.

Die Pumpe sollte nur von qualifizierten Hydrauliktechnikern repariert und gewartet werden. Wenden Sie sich für die Reparatur an das autorisierte Enerpac-Servicecenter in Ihrer Region.

### 8.1 Lasttrennschalter (Pumpen mit Datumscode „F“ und später)

Bei elektrischer Überlast löst der Lasttrennschalter der Pumpe aus. Nach Untersuchung und Behebung der Ursache der Überlast, drücken Sie den Lasttrennschalter, um ihn zurückzusetzen.

### 8.2 Sicherungen (Pumpen mit Datumscode „F“ und später)

Interne Sicherungen schützen die Primär- und Sekundärschaltkreise des Steuerungstransformators. Wenn eine Sicherung durchbrennt, untersuchen und beheben Sie die Ursache. Ersetzen Sie dann die durchgebrannte Sicherung durch eine neue Sicherung mit der richtigen Nennleistung. Sicherungsnennleistungen finden Sie im Reparaturteileblatt für Ihr Pumpenmodell.



**WARNUNG:** Trennen Sie vor Austausch der Sicherung das Gerät immer vom Strom.

## 9.0 TESTSTANDARDS

### 9.1 Canadian Standards Association (CSA)

Wenn angegeben, erfüllen die Pumpenbaugruppen die Entwurfs- und Testanforderungen der CSA, der Canadian Standards Association (siehe CAN/CSA — C22.2 Nr. 68-92, Motorbetriebene Apparate).

### 9.2 Conformité Européene (CE)

Wenn angegeben, sind eine EU-Konformitätserklärung und das CE-Zeichen für das Produkt vorhanden. Diese Produkte erfüllen die europäischen Normen EN982:1996, EN1050:1998 and EN-ISO-12100-1&2:2003 und die EU-Richtlinien 2006/42/EC, 97/23/EC, 2004/108/EC, 2006/95/EC und 97/23/EC.

## FEHLERBEHEBUNGSTABELLE

<b>Problem</b>	<b>Mögliche Ursache</b>	<b>Lösung</b>
Pumpe startet nicht.	Kein Strom. Falsche Spannung.	Elektrische Stromversorgung prüfen. Spannungsangaben auf Seite 14 prüfen.
Zylinder fährt nicht aus bzw. nicht ein.	Flüssigkeitsstand niedrig. Einlaßsieb verstopft. Falsche Ventilstellung. Ventil defekt.	Tank auf vorschriftsmäßigen Stand nachfüllen. Einlaßsiebe reinigen oder austauschen. Ventil auf Druckstellung stellen. Pumpe von einem qualifizierten Hydrauliktechniker reparieren lassen
Zylinder fährt unregelmäßig aus bzw. ein.	Luft im System.  Externe Leckage im System.  Interne hydraulische Leckage.	System entlüften: hierzu Werkzeug öffnen und schließen, bis es reibungslos arbeitet. Undichte Verbindungen anziehen. Beschädigte Schläuche und Verbindungsstücke austauschen. Pumpe von einem qualifizierten Hydrauliktechniker reparieren lassen.
Pumpe kann Druck nicht halten.	Externe hydraulische Leckage.  Interne hydraulische Leckage.	Undichte Verbindungen festziehen. Beschädigte Schläuche und Verbindungsstücke austauschen. Pumpe von einem qualifizierten Hydrauliktechniker reparieren lassen.
Niedrige Flüssigkeitszufuhr.	Flüssigkeitsstand niedrig. Undichte Pumpenkomponenten. Umlaufventil defekt.  Flüssigkeitseinlaßsiebe an Kolbenblöcken evtl. verstopft.	Tank auf vorschriftsmäßigen Stand nachfüllen. Leckstellen ermitteln. Pumpe von einem qualifizierten Hydrauliktechniker reparieren lassen. Einlaßsiebe überprüfen. Alle Komponenten durchspülen, um eventuellen Schmutz zu entfernen. Beschädigte Komponenten austauschen.

L2062 Rev. E 06/11

#### 1.0 ISTRUZIONI AL RICEVIMENTO

Controllare visivamente tutti i componenti per accertare eventuali danni derivanti dal trasporto. Se del caso, sporgere subito reclamo al trasportatore. I danni causati durante il trasporto non sono coperti dalla garanzia. Il trasportatore è responsabile degli stessi e deve rispondere di tutte le spese e costi per la rimessa in efficienza del materiale.

#### SICUREZZA ANZITUTTO

#### 2.0 NORME SULLA SICUREZZA



Leggere attentamente tutte le istruzioni, le Precauzioni ed Avvertenze che si devono osservare durante l'impiego delle attrezzature. Rispettare tutte le norme di sicurezza per evitare infortuni alle persone e danni alle cose. L'ENERPAC non è responsabile per infortuni e danni causati dal mancato rispetto delle Norme di Sicurezza, dall'uso e dall'applicazione impropria del prodotto o dalla sua mancata manutenzione. In caso di dubbi sulla applicazione del prodotto o sulla Sicurezza, contattare l'ENERPAC. Se non si conoscono le Norme di Sicurezza per i Sistemi Oleodinamici ad Alta Pressione contattare l'ENERPAC o i suoi Rappresentanti per un corso gratuito di addestramento sulla Sicurezza.

L'inosservanza delle seguenti Norme di Sicurezza può causare infortuni alle persone e danni alle attrezzature.

**PRECAUZIONE:** Sta ad indicare la corretta procedura d'impiego o di manutenzione per evitare danni, anche irreparabili, dell'attrezzatura e delle cose circostanti.

**AVVERTENZA:** Sta ad indicare un potenziale pericolo che richiede l'osservanza della procedura per evitare infortuni alle persone.

**PERICOLO:** E'usato solo quando una azione od una mancata azione può provocare gravi infortuni se non la **morte**.



**AVVERTENZA:** Durante l'impiego delle attrezzature oleodinamiche usare sempre gli indumenti protettivi appropriati.



**AVVERTENZA: Non sostare sotto ai carichi sorretti oleodinamicamente.** Quando si impiega un cilindro, oleodinamico, per sollevare od abbassare un carico, non deve **mai** essere utilizzato come sostegno permanente. Dopo ogni operazione di sollevamento od abbassamento, assicurare il carico meccanicamente.



**AVVERTENZA: IMPIEGARE SUPPORTI SOLIDI PER IL SOSTEGNO DEI CARICHI.** Scegliere blocchi in acciaio o legno idonei a sostenere il carico. Non usare mai il cilindro oleodinamico come cuneo o spessore nelle operazioni di sollevamento o pressatura.



**PERICOLO:** Per evitare lesioni personali, tenere mani e piedi lontano dai cilindri oleodinamici durante il loro impiego.



**AVVERTENZA:** Non superare mai la potenza nominale dell'attrezzatura. Non tentare mai di sollevare un carico superiore alla capacità del cilindro. I sovraccarichi possono causare danni all'attrezzatura ed infortuni alle persone. I cilindri sono stati progettati per operare ad una pressione di 700 bar max. Non collegare mai i cilindri ad una pompa con pressione nominale maggiore.



**MAI** tarare la valvola regolatrice di pressione ad un valore superiore a quello nominale della pompa. Una taratura troppo alta può causare lesioni alle persone e danni alle attrezzature.



**AVVERTENZA:** La pressione max. di esercizio, in un circuito, non deve mai superare quella nominale del componente a pressione più bassa. Per controllare la pressione in un circuito, montare un manometro.



**PRECAUZIONE: Evitare di danneggiare il tubo flessibile.** Evitare curve strette e serpentine dei tubi flessibili. Curve troppo strette causano strozzature nella tubazione che possono dar luogo a pericolose contropressioni le quali ne compromettono la durata.




**NON** schiacciare i tubi flessibili. Lo schiacciamento od urto, con oggetti pesanti, possono danneggiare le spirali metalliche interne di rinforzo. Pressurizzare un tubo flessibile lesionato ne causa la rottura.





**IMPORTANTE:** Non usare il tubo flessibile od il giunto ruotante per sollevare le attrezzature. Servirsi delle maniglie di trasporto o di altri mezzi più sicuri.





**PRECAUZIONE : Proteggere tutti i componenti oleodinamici da fonti di calore.** Una temperatura elevata ammorbidisce le tenute, le guarnizioni ed il tubo flessibile, dando origine a perdite d'olio. Per un corretto funzionamento la temperatura dell'olio non deve superare i 65 °C. Proteggere i tubi flessibili ed i cilindri dagli spruzzi di saldatura.


 **PERICOLO: Non maneggiare i tubi flessibili sotto pressione.** Spruzzi d'olio sotto pressione perforano la pelle causando serie complicazioni. Se l'olio è penetrato sotto pelle, consultare immediatamente un Medico.


 **AVVERTENZA: Impiegare i cilindri solo con innesti collegati.** Non usare MAI i cilindri con gli innesti scollegati. Sovraccarichi incontrollati sui cilindri possono causare guasti gravissimi e lesioni alle persone.


 **AVVERTENZA: Prima di procedere al sollevamento di un carico, assicurarsi della perfetta stabilità dei Cilindri.** I cilindri devono essere posizionati su una superficie piana, in grado di sorreggere il carico. Dove è possibile, impiegare la base d'appoggio per cilindri per aumentarne la stabilità. Non modificare in alcun modo i cilindri per collegarli o saldarli a supporti speciali.

 **Evitare** l'impiego dei cilindri quando il carico non è centrato sul pistone. I carichi disassati generano dannose sollecitazioni per i cilindri, inoltre, il **carico potrebbe slittare e cadere** con conseguenze disastrose.

 Far appoggiare il carico sull'intera superficie della testina del pistone. Usare sempre le testine per proteggere lo stelo.

 **IMPORTANTE:** La manutenzione delle attrezzature oleodinamiche deve essere affidata solo a tecnici qualificati. Per il servizio di assistenza tecnica, rivolgersi al Centro Assistenza Autorizzato ENERPAC di zona. Per salvaguardare la Vostra garanzia, usare solo olio ENERPAC.

 **AVVERTENZA:** Sostituire immediatamente le parti usurate o danneggiate con ricambi originali ENERPAC. Le parti usurate si potrebbero rompere, causando lesioni alle persone e danni alle cose.

 **ATTENZIONE:** Controllare i dati tecnici della targa del motore elettrico. Un incorretta alimentazione danneggia il motore.

### 3.0 CARATTERISTICHE TECNICHE

	Modelli "B"	Modelli "E"
<b>Pressione di esercizio</b>	0 - 700 bar	
<b>Alimentazione:</b>	Monofase con terra 15 A, 120 V, 50/60 Hz	Monofase con terra 10 A, 220 V. 50/60 Hz
<b>Valori nominali del motore</b>	Modello universale da 0,37 kW, 9 A a 700 bar e 12.000 giri/min., funzionamento a 60-125 V, 85-89 dBa	Modello universale da 0,37 kW, 4 A a 700 bar e 12.000 giri/min., 85-89 dBa
<b>Portata</b>	3,3 l/min. da 0 bar e 14 bar, 0,33 l/min. a 700 bar	
<b>Temperatura max. di esercizio</b>	65°C	

N. di modello	Utilizzato con cilindro	Tipo di valvola	Volume di olio utilizzabile	Peso
PUD-1100B/E	Ad effetto semplice	A scarico rapido	2,00 l	14 kg
PUD-1101B/E			3,79 l	20 kg
PUD-1300B/E	Ad effetto semplice	Scarico/Tenuta	2,00 l	14 kg
PUD-1301B/E			2,00 l	20 kg
PUJ-1200B/E	Ad effetto semplice	3 vie, 2 posizioni	2,00 l	12 kg
PUJ-1201B/E			3,79 l	18 kg
PUJ-1400B/E	A doppio effetto	4 vie, 3 posizioni	2,00 l	15 kg
PUJ-1401B/E			3,79 l	20 kg

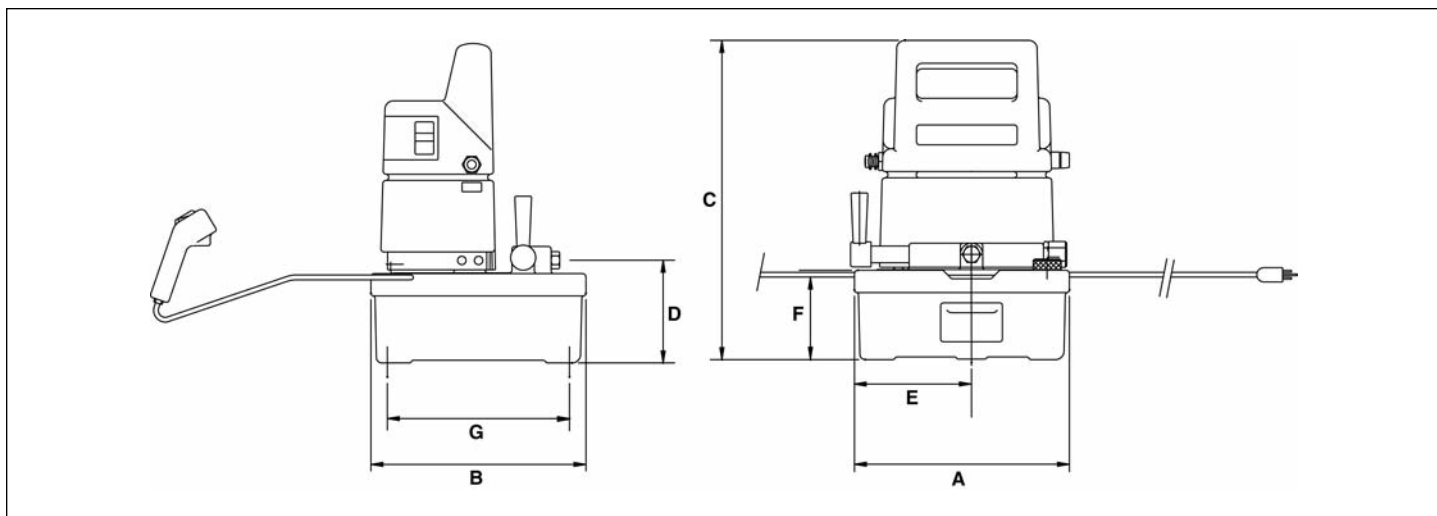


Figura 1

Dimensioni cm								
Modelli	A	B	C	D	E	F	G	H
PUD-1100B/E, PUD-1300B/E, PUJ-1200B/E, PUJ-1400B/E	24,43	24,43	36,20	11,99	13,34	10,16	20,62	1,90
PUD-1101B/E, PUD-1301B/E, PUJ-1201B/E, PUJ-1401B/E	30,94	36,83	10,54	13,00	14,27	10,54	32,43	1,57

\* La dimensione "D" del modello PUJ-1400B è di 15,7 cm; quella del modello PUJ-1401B/E è di 16,7 cm

## 4.0 INSTALLAZIONE

### 4.1 Collegamenti Idraulici

Avvolgere con 1 giro e 1/2 di nastro di Teflon (o guarnente similare le estremità filettate dei raccordi, avendo cura di lasciar libero il primo filetto per evitare che frammenti di nastro entrino nel circuito oleodinamico danneggiandolo.



**AVVERTENZA:** Per un corretto funzionamento, evitare che i tubi flessibili siano attorcigliati o che abbiano curve troppo strette. Un tubo flessibile attorcigliato o danneggiato deve essere sostituito. Un tubo flessibile danneggiato con l'alta pressione si può rompere e causare lesioni alle persone.

#### Modelli PUJ-1200B/E, PUJ-1201B/E (Fig. 2)

1. Rimuovere il tappo di spedizione 1/4" 18 NPT dalla presa manometro (A) situata sopra la valvola direzionale.
2. Montare sulla bocca (A) un manometro da 0 – 700 bar
3. Montare un tubo flessibile sulla bocca di mandata (B), da 3/8" NPT, della valvola direzionale.
4. Collegare l'eventuale tubo di ritorno in serbatoio alla bocca (C) 3/8" 18 NPT.

#### Modelli PUJ-1400B/E, PUJ-1401B/E (Fig. 3)

1. Rimuovere il tappo di spedizione dalla bocca di Mandata (D), 3/8" 18 NPT della valvola direzionale e montarvi un portamanometro
2. Installare un manometro da 0 – 700 bar.
3. Collegare il tubo flessibile all'uscita del porta manometro. Collegare l'innesto rapido del flessibile a quello di mandata del cilindro. Serrare bene la ghiera del giunto. Non usare chiavi, serrare a mano.
4. Collegare l'altro tubo flessibile alla bocca di ritorno (E) della valvola direzionale, 3/8" 18 NPT. Collegare il giunto rapido a quello di ritorno del Cilindro.

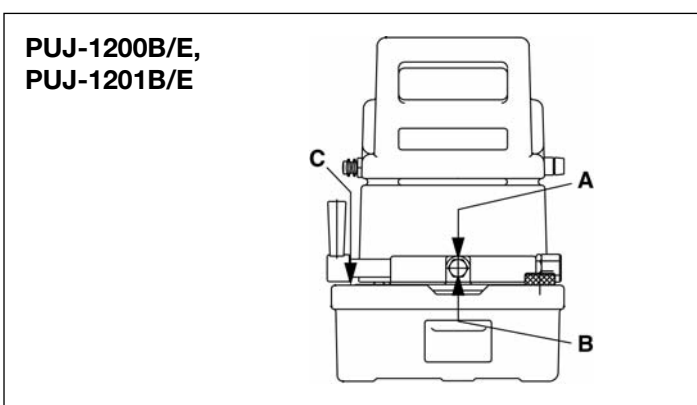


Figura 2

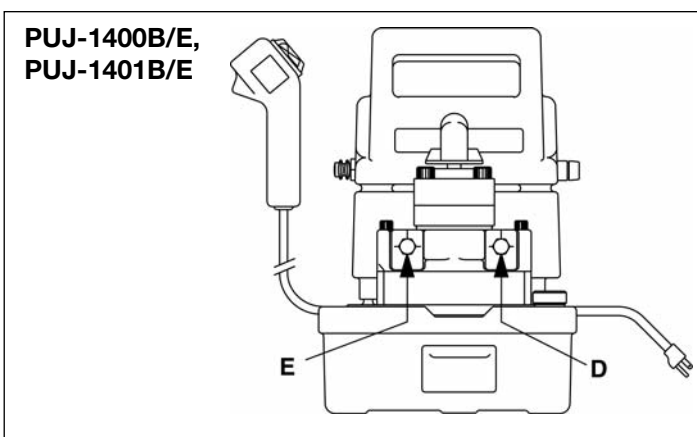


Figura 3



## PUD1100B/E, PUD-1101B/E, PUD1300B/E e PUD1301B/E Modelli

1. Il tubo di collegamento pompa-cilindro si avvita direttamente alla bocca(A) della valvola di controllo.
2. Se è necessario un manometro per misurare la pressione del sistema, un portamanometro deve essere avvitato sulla bocca(A) della valvola. Installare un manometro 0-10000psi(700 bar) sul portamanometro.

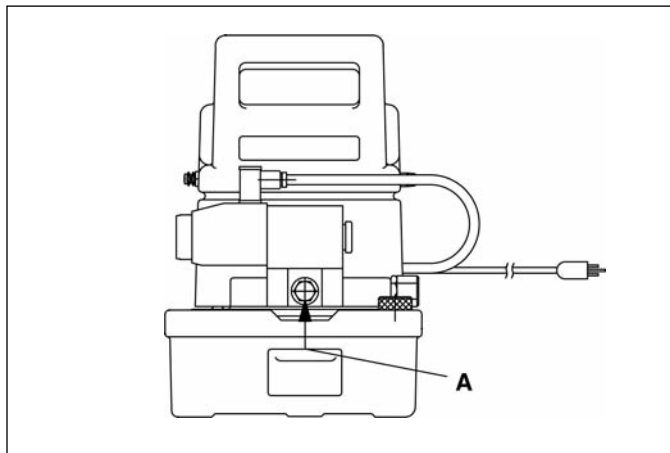


Figura 4

### 4.2 Sequenza de montaggio (Figura 5)

1. Rimuovere la placca - 1 - ( rif. D43918098 )
2. Verificare e montare il connettore - 2 - nella sede sul coperchio avendo cura di non danneggiare le guarnizioni.
3. Montare la valvola - 3 - avendo cura di non danneggiare le guarnizioni.

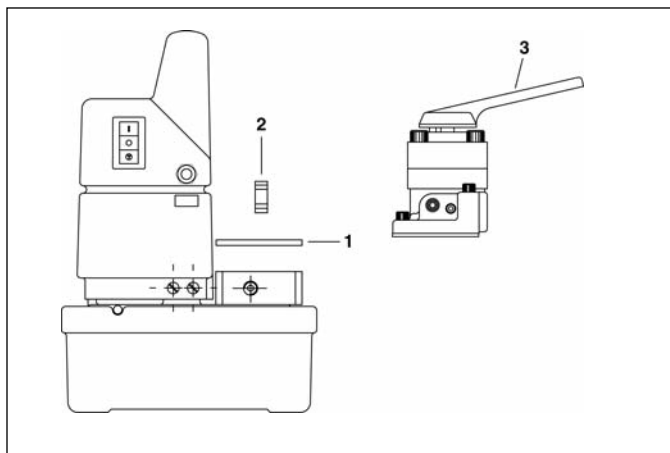


Figura 5

### 4.3 RABBOCCO OLIO (Fig. 6)

Per controllare il livello dell'olio, svitare e rimuovere il tappo di ventilazione / riempimento (F). Aggiungere olio idraulico ENERPAC sino ad 1 cm. sotto la bocca di riempimento.

**IMPORTANTE:** Aggiungere olio solo quando tutti i componenti del circuito sono completamente rientrati, altrimenti nel serbatoio si avrà più olio di quanto ne possa contenere.

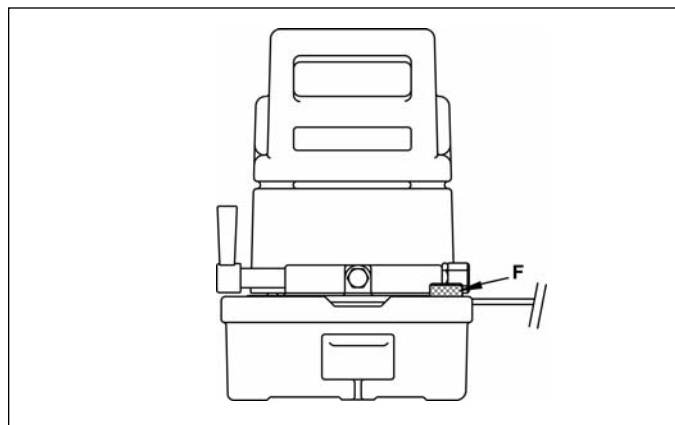


Figura 6

## 5.0 FUNZIONAMENTO

**NOTA:** Per evitare perdite di potenza del motore, il cavo di alimentazione deve essere il più corto possibile. Il motore sottoalimentato riduce il numero di giri e quindi la portata della pompa.

1. Controllare che tutti i giunti e raccordi del circuito siano ben serrati e non vi siano perdite d'olio.
2. Controllare il livello dell'olio, se necessario rabboccare.
3. Aprire il tappo di ventilazione del serbatoio (F), che è situato sopra l'angolo anteriore destro, allentandolo di 1 o 2 giri.



**ATTENZIONE:** Il tappo di ventilazione deve sempre essere aperto durante il funzionamento della pompa.

### 5.1 Funzioni dell' Interruttore (Fig. 7)

I modelli "B" richiedono una linea di alimentazione da 120 V. 15 A. monofase con terra. I modelli "E" richiedono una linea di alimentazione da 220 V. 10 A. monofase con terra. Il cavo di alimentazione è lungo m. 1,5.

1. L' interruttore è situato sul lato della carenatura. L'interruttore è a 3 posizioni; Quella superiore Stabile "ON", quella centrale "OFF" e quella Inferiore **instabile** "MOM". Premendo l'interruttore "ON" si alimenta il circuito elettrico della centralina ma non si avvia il motore. Il motore si avvia premendo il pulsante "G", posto sulla pulsantiera.
2. Premendo l'interruttore "MOM" si avvia il motore della centralina, che rimarrà in moto sino a quando non lo si rilascia. Questa pulsante instabile può essere usato in alternativa alla pulsantiera.

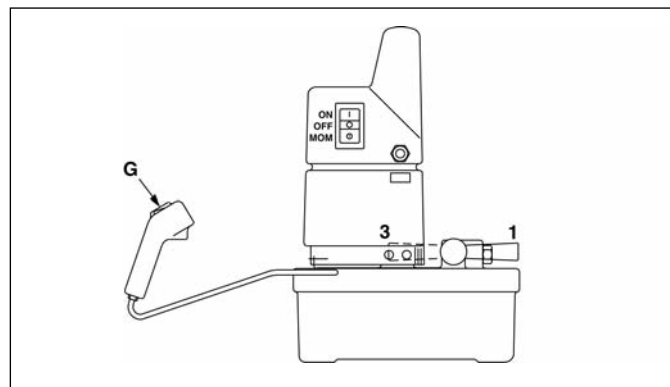


Figura 7

## 5.2 Valvola Direzionale

### Modelli PUJ-1400B/E e PUJ-1401B/E

La valvola direzionale invia l'olio al circuito o lo fa ritornare in serbatoio. Queste centraline montano una valvola a 3 vie 2 posizioni. Le posizioni della valvola sono illustrate in fig. 8: 1 – mandata, 3 – ritorno. Per far avanzare il pistone, portare la valvola nella posizione di mandata (1) e premere il pulsante della pulsantiera.

Il pistone avanza sino a quando non si rilascia il pulsante.

Per far rientrare il pistone, portare la valvola nella Posizione di scarico (3).

Il pistone rientrerà sia con la pompa in moto che a pompa ferma.

### Modelli PUJ-1400B/E e PUJ-1401B/E

Su queste centraline sono montate valvole a 4 vie – 3 posizioni, per il comando di cilindri a doppio effetto, dove l'avanzamento ed il ritorno del pistone sono ottenuti idraulicamente. Le posizioni della valvola sono illustrate in fig. 8:

1 – Mandata / 2 – Ritorno / 3 – Neutro ( tenuta ) In ogni posizione il movimento del pistone è control-lato dalla pulsantiera.

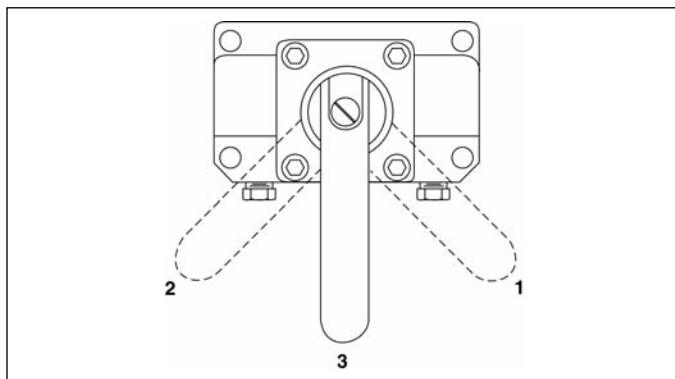


Figura 8

### Modelli PUD1100B/E e PUD1101B/E

Queste centraline servono per comandare cilindri a semplice effetto dove non è richiesta la funzione di Tenuta. Premendo il pulsante della pulsantiera il motore della pompa si avvia ed il pistone avanza. Rilasciando il pulsante il motore si arresta ed il pistone rientra.

### PUD1300B/E e PUD1301B/E Modelli

Dove è necessaria la funzione di tenuta del carico, utilizzare le pompe PUD1300B/E e PUD1301B/E. Premere il bottone "avvio" per azionare la pompa e far avanzare il cilindro. Rilasciando il bottone la pompa si ferma e il cilindro mantiene il carico in posizione. Premendo il bottone "ritorno", la valvola si commuta permettendo la discesa del carico.

**NOTA:** Il tempo di arresto del motore può variare in funzione del carico, e questo può non fermare l'avanzamento appena premuto il bottone. Può esserci un leggero movimento del pistone mentre il motore si arresta.

## 5.3 Termostato

Tutte le centraline sono munite di termostato di protezione, a taratura fissa, che arresta il motore quando la temperatura dell'olio raggiunge i 65 °C. Quando la temperatura scende a 54 °C. il termostato si disattiva automaticamente.

## 5.4 Spurgo dell'Aria

Al primo avviamento è necessario spurgare l'aria presente nel circuito oleodinamico. Per un funzionamento regolare e sicuro, per spurgare l'aria far compiere alcuni cicli, senza carico, ai cilindri. L'aria sarà spurgata quando il cilindro si muoverà, estensione e rientro, in modo uniforme.



**ATTENZIONE:** Per evitare infortuni e danni alle attrezzature non continuare a pressurizzare i cilindri quando sono a finecorsa od al massimo della pressione di esercizio.

## 6.0 REGOLAZIONE VALVOLA DI SICUREZZA (Fig. 9)

La valvola di sicurezza è interna, a taratura fissa, ed è tarata in fabbrica a 700 bar. Una seconda valvola regolatrice di pressione è collocata sotto al tappo esagonale sul lato destro della pompa. Questa valvola regolatrice di pressione, esterna, ha un campo di taratura da 140 a 700 bar. (I modelli PUJ-1400B/E e PUJ-1401B/E non sono dotati di valvola di sicurezza regolabile dall'esterno.)

### 6.1 Procedura di Taratura (Fig. 9)

1. Montare un manometro seguendo le istruzioni a Pag. 22, paragrafo 4.1
2. Tappare la bocca di mandata.
3. Rimuovere il tappo esagonale (H) che protegge la vite di regolazione della valvola limitatrice di pressione.
4. Con una chiave a Brugola ruotare la vite di regolazione, in senso antiorario, di un giro completo.
5. Avviare la pompa "MOM", leggere sul manometro la massima pressione raggiunta.
6. Aumentare o diminuire la pressione sino a raggiungere il valore desiderato.
7. Controllare la taratura avviando la pompa più volte. Se la pressione indicata è sempre la stessa la taratura è stabile.
8. Rimontare il tappo esagonale di protezione.

**NOTA:** Per ottenere una taratura accurata, abbassare al minimo la pressione per poi aumentarla gradatamente sino al valore desiderato.

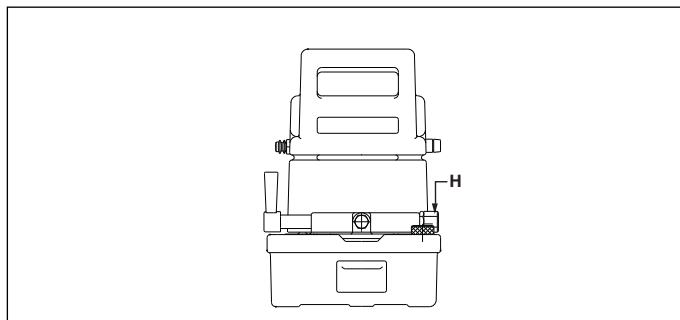


Figura 9



**AVVERTENZA:** Per evitare infortuni alle Persone e danni alle cose, NON tentare di superare la pressione max. di esercizio di 700 bar.

## 7.0 MANUTENZIONE

### 7.1 Livello Olio

Controllare il livello dell'olio nel serbatoio ogni 40 ore di esercizio. Rabboccare se necessario, portare l'olio ad 1 cm. sotto la bocca di riempimento. Usare solo olio idraulico ENERPAC. L'impiego di altri oli o fluidi può danneggiare l'impianto e far decadere la garanzia ENERPAC.

## 7.2 Sostituzione olio ( Fig. 10 )

Vuotare completamente il serbatoio ogni 100 ore di esercizio. Rabboccare con olio nuovo. Se la centralina lavora in ambienti sporchi od a temperature elevate la sostituzione dell'olio deve essere fatta con maggior frequenza.

1. Rimuovere il tappo di ventilazione / riempimento, **(F)** situato sopra l'angolo destro del serbatoio.
2. Inclinare la pompa fino a far uscire tutto l'olio.
3. Rabboccare con olio nuovo. Le capacità dei serbatoi possono essere, secondo dei modelli, di 2,8 l oppure 5,7 l.
4. Rimontare il tappo **(F)**.

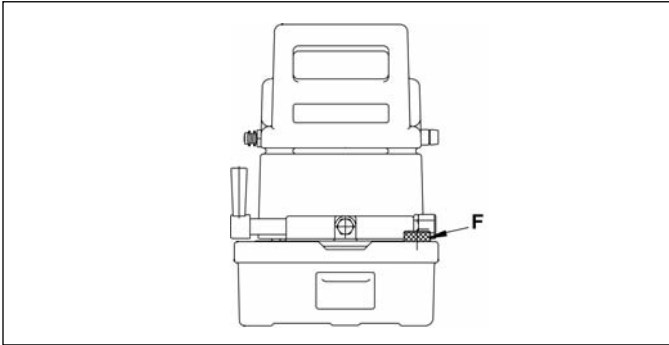


Figura 10

## 7.3 Pulizia del serbatoio

Se la centralina è impiegata in ambienti molto polverosi è necessario pulire il serbatoio almeno una volta l'anno. È possibile rimuovere il serbatoio per pulirlo.

1. Vuotare il serbatoio come descritto nel paragrafo 7.2 ai punti 1 e 2.
2. Rimuovere le 6 viti che fissano la carenatura al serbatoio e sollevarla delicatamente. Il motore è avvolto con materiale espanso per separarlo dai fili elettrici di collegamento. Fare attenzione a non danneggiare i fili e che gli stessi non si stacchino dai morsetti.
3. Rimuovere le 8 viti che fissano la pompa al serbatoio. Sollevare la pompa e togliere la guarnizione.
4. Pulire a fondo il serbatoio con un detergente appropriato.
5. Montare una nuova guarnizione sul serbatoio. Rimontare la pompa ed assicurarla con le 8 viti. Disporre la carenatura con la maniglia rivolta verso la valvola direzionale, calzarla con attenzione e rimontare le 6 viti con le rondelle elastiche sia all'interno che all'esterno.

Se la pompa deve essere riparata, rivolgersi al Centro Assistenza Autorizzato ENERPAC più vicino alla Vostra sede.

## 7.4 Spazzole del motore

Controllare le spazzole del motore elettrico almeno una volta ogni due anni. Per le pompe in condizioni di uso pesante, controllare le spazzole almeno una volta ogni sei mesi.



**PERICOLO:** Per evitare una possibile folgorazione, la pompa deve essere scollegata completamente dall'alimentazione elettrica, prima di effettuare la manutenzione delle spazzole.

## 8.0 ELIMINAZIONE DEI DIFETTI (VEDERE LA TABELLA)

La tabella per l'eliminazione dei difetti è un aiuto inteso ad aiutarvi a diagnosticare e correggere vari possibili problemi della pompa.

Solo dei tecnici idraulici qualificati dovrebbero intervenire per l'eliminazione dei difetti della pompa. Per il servizio di riparazione, contattare il Centro di Servizio autorizzato Enerpac della vostra zona.

### 8.1 Interruttore automatico (pompe con Data codice F e posteriori)

Nell'eventualità di un sovraccarico elettrico, l'interruttore automatico della pompa potrebbe scattare. Premere il pulsante per risettarlo.

### 8.2 Fusibili (Pompe con Data Codice F e posteriori)

I fusibili interni proteggono i circuiti primario e secondario del trasformatore di comando. Se un fusibile interviene, ricercarne la causa e correggere le ragioni del difetto. Quindi, sostituire il fusibile fuso con un fusibile nuovo della corretta portata. Per le portate dei fusibili, fare riferimento alla Scheda dei Pezzi di Ricambio per il vostro modello di pompa.



**ATTENZIONE:** Togliere sempre l'alimentazione elettrica prima di sostituire i fusibili.

## 9.0 STANDARD DI PROVA

### 9.1 Canadian Standards Association (CSA)

Quando è specificato, gli assieme della pompa corrispondono all'insieme di progetto ed alle richieste di collaudo del CSA, la Canadian Standards Association.

### 9.2 Conformità Europea (CE)

Nel caso sia specificato, viene fornita una dichiarazione di conformità EC ed il marchio CE. Questi prodotti sono conformi agli Standards Europei EN982:1996, EN1050:1998 ed EN-ISO-12100-1&2:2003, ed alle direttive EC : 2006/42/EC, 97/23/EC, 2004/108/EC, 2006/95/EC e 97/23/EC.

## SCHEDA PER L'ELIMINAZIONE DEI DIFETTI

<b>Problema</b>	<b>Possibile Causa</b>	<b>Soluzione</b>
La pompa non si avvia	<ol style="list-style-type: none"><li>1. Manca la corrente</li><li>2. Tensione alimentazione errata</li></ol>	<ol style="list-style-type: none"><li>1. Controllare la linea di alimentazione.</li><li>2. Controllare caratteristiche tecniche a pag. 21.</li></ol>
Il pistone non avanza e non rientra	<ol style="list-style-type: none"><li>1. Mancanza d'olio nel serbatoio</li><li>2. Filtro di aspirazione intasato</li><li>3. Valvola nella posizione sbagliata</li><li>4. Valvola guasta</li></ol>	<ol style="list-style-type: none"><li>1. Ripristinare il livello dell'olio.</li><li>2. Pulire o sostituire il filtro.</li><li>3. Portare la valvola nella corretta posizione.</li><li>4. Far riparare la centralina da un tecnico qualificato.</li></ol>
Il pistone avanza e rientra a scatti	<ol style="list-style-type: none"><li>1. Aria nel circuito</li><li>2. Perdita esterna del circuito</li><li>3. Trafilamento interno</li></ol>	<ol style="list-style-type: none"><li>1. Spurgare l'aria facendo compiere All'attrezzatura diversi cicli a vuoto, sino a quando il movimento è uniforme.</li><li>2. Serrare i raccordi che perdono. Sostituire i tubi flessibili ed i raccordi danneggiati.</li><li>3. Fare eseguire la riparazione ad un tecnico qualificato.</li></ol>
La pompa non mantiene la pressione	<ol style="list-style-type: none"><li>1. Perdita esterna del circuito</li><li>2. Trafilamento interno</li></ol>	<ol style="list-style-type: none"><li>1. Serrare i raccordi che perdono. Sostituire i tubi flessibili ed i raccordi danneggiati.</li><li>2. Far riparare la centralina da un tecnico qualificato.</li></ol>
Scarso flusso d'olio	<ol style="list-style-type: none"><li>1. Mancanza d'olio nel serbatoio</li><li>2. Perdita dai componenti della pompa</li><li>3. Valvola by-pass guasta</li><li>4. Filtri di aspirazione intasati</li></ol>	<ol style="list-style-type: none"><li>1. Ripristinare il livello dell'olio.</li><li>2. Controllare per individuare la perdita.</li><li>3. Fare eseguire la riparazione da un tecnico qualificato.</li><li>4. Pulire i filtri e sostituire tutti i componenti danneggiati.</li></ol>



L2062 Rev. E 06/11

#### V1.0 IMPORTANTES INSTRUCCIONES DE RECEPCIÓN

Inspeccione visualmente todos los componentes para verificar si hay daños de envío. Debido a que la garantía **no** ampara daños por envío, si los hubiese, infórmese inmediatamente a la empresa de transportes, puesto que ésta es responsable de todos los gastos de reparaciones o reemplazo que resulten por daños de envío.

### SEGURIDAD PRIMERO

#### 2.0 ASPECTOS DE SEGURIDAD

  Lea todas las instrucciones, advertencias y precauciones. Acate todas las precauciones de seguridad para evitar lesiones personales o daños a la propiedad durante la operación del sistema. ENERPAC no puede ser responsable de daños o lesiones que resulten de no usar el producto de forma segura, falta de mantenimiento o aplicación incorrecta del producto y/u operación del sistema. Comuníquese con ENERPAC si tuviese dudas sobre las precauciones de seguridad o sobre las aplicaciones. Si nunca ha sido capacitado en seguridad hidráulica de alta presión, consulte a su distribuidor o centro de servicio para obtener un curso de seguridad gratis denominado ENERPAC Hydraulic.

El no cumplir con las siguientes precauciones y advertencias podría causar daños al equipo y lesiones personales.

Una **PRECAUCIÓN** se utiliza para indicar procedimientos y prácticas de operación o mantenimiento correctos para evitar daños o la destrucción de equipo u otra propiedad.

Una **ADVERTENCIA** indica un potencial peligro que requiere de procedimientos o prácticas correctos para evitar lesiones personales.

Un **PELIGRO** se utiliza sólo cuando su acción o falta de acción podría causar lesiones graves o incluso la muerte.



**ADVERTENCIA:** Use el equipo de protección personal adecuado cuando opere equipo hidráulico.



**ADVERTENCIA: Manténgase alejado de las cargas soportadas por sistemas hidráulicos.** Cuando un cilindro se utiliza como dispositivo para levantar carga, nunca debería usarse como dispositivo para sostener carga. Después de que la carga haya sido levantada o descendida, debe bloquearse siempre en forma mecánica.



**ADVERTENCIA: USE SÓLO PIEZAS RÍGIDAS PARA SOSTENER CARGAS.** Seleccione cuidadosamente bloques de acero o de madera capaces de soportar la carga. Nunca use un cilindro hidráulico como calza o separador en aplicaciones de levantamiento o presión.



**PELIGRO:** Para evitar lesiones personales, mantenga las manos y los pies alejados del cilindro y pieza de trabajo durante la operación.



**ADVERTENCIA:** No sobrepase el valor nominal del equipo. Nunca intente levantar una carga que pese más de la capacidad del cilindro. Las sobrecargas ocasionan fallas del equipo y posibles lesiones personales. Los cilindros están diseñados para resistir una presión máxima de 700 bar. No conecte un gato o cilindro a una bomba cuyo valor nominal de presión es mayor que el indicado.



**Nunca** fije la válvula de seguridad a una presión más alta que el máximo valor nominal de presión de la bomba. Los ajustes más altos pueden resultar en daños al equipo y/o lesiones personales.



**ADVERTENCIA:** La presión de operación del sistema no debe sobrepasar el valor nominal de presión del componente con el valor nominal más bajo en el sistema. Instale manómetros de presión en el sistema para vigilar la presión de operación. Es su ventana a lo que está sucediendo en el sistema.



**PRECAUCIÓN: Evite dañar la manguera hidráulica.** Evite pliegues y curvas agudas al guiar las mangueras hidráulicas. Usar una manguera con pliegues o curvas puede causar severa contrapresión. Los pliegues y curvas agudas causarán daños internos a la manguera, lo que ocasionará que ésta falle prematuramente.



**No** deje caer objetos pesados sobre la manguera. Un impacto directo puede causar daños internos a las hebras de alambre de la manguera. Aplicar presión a una manguera dañada puede ocasionar que se quiebre.



**IMPORTANTE:** No levante el equipo hidráulico por las mangueras o acopladores giratorios. Use el mango de transporte u otros medios para transportarla con seguridad.



**PRECAUCIÓN: Mantenga el equipo hidráulico alejado de las llamas y el calor.** El calor en exceso ablandará las juntas y sellos, lo que resultará en fugas de líquidos. Asimismo, el calor debilita los materiales de la manguera y juntas. Para lograr un rendimiento óptimo, no exponga el equipo a temperaturas de 65°C [150°F] o mayores. Proteja las mangueras y cilindros de salpicaduras de soldadura.

**PELIGRO: No manipule mangueras bajo presión.** El aceite que escape bajo presión puede penetrar la piel y causar lesiones graves. Si se inyecta aceite bajo la piel, consulte a un médico inmediatamente.

**ADVERTENCIA: Use cilindros hidráulicos únicamente en sistemas acoplados.** Nunca use un cilindro si los acopladores no están conectados. Si el cilindro se sobrecarga, los componentes pueden fallar calamitosamente, lo que causaría lesiones personales graves.

**ADVERTENCIA: Asegure que el equipo sea antes de levantar la carga.** El cilindro debe colocarse sobre una superficie plana capaz de soportar la carga. De ser necesario, utilice una base de cilindro para mayor estabilidad. No suelde ni modifique el cilindro en modo alguno para fijarle una base u otro medio de soporte.

**Evite las** situaciones en las cuales las cargas no estén directamente centradas sobre el émbolo del cilindro. Las cargas descentradas producen un esfuerzo considerable sobre los cilindros y los émbolos. Además, la carga podría resbalar o caerse, creando situaciones potencialmente peligrosas.

Distribuya la carga uniformemente sobre la superficie total del asiento del cilindro. Siempre utilice un asiento para proteger el émbolo cuando no se usen accesorios roscados.

**IMPORTANTE:** Únicamente técnicos calificados en sistemas hidráulicos habrán de prestarle servicio al equipo hidráulico. Comuníquese con el Centro de Servicio ENERPAC autorizado en su zona para prestarle servicio de reparaciones. Use únicamente aceite ENERPAC a fin de proteger su garantía.

**ADVERTENCIA:** Reemplace inmediatamente las piezas gastadas o dañadas por piezas ENERPAC genuinas. Las piezas de clasificación estándar se romperán, lo que causará lesiones personales y daños a la propiedad. Las piezas ENERPAC están diseñadas para encajar debidamente y resistir altas cargas.

**ATENCIÓN:** Compruebe las especificaciones y los datos dados en la chapa de identificación del motor. Si se usa una fuente de alimentación de tipo incorrecto se dañará el motor.

### 3.0 ESPECIFICACIONES

	Modelos "B"	Modelos "E"
<b>Presión de funcionamiento</b>	0 - 700 bar	
<b>Fuente de alimentación eléctrica</b>	15 A, 120 V monofásica referido a tierra, 50/60 Hz'	10 A, 220 V monofásica, 50/60 Hz
<b>Capacidad nominal del motor</b>	Universal de 0,37 kW, 9 A a 700 bar y 12.000 rpm; funciona con 60-125 V 85-89 dBa	Universal de 0,37 kW, 4 A a 700 bar y 12.000 rpm; 85-89 dBa
<b>Caudal</b>	3,3 l/min. a presiones de 0 bar hasta 14 bar, 0,33 l/min a 700 bar	
<b>Temperatura máx. de funcionamiento</b>	65°C	

Nº modelo	Usado con cilindro	Tipo de válvula	Capacidad de aceite	Peso
PUD-1100B/E	Acción única	Válvula de descarga	2,00 l	14 kg
PUD-1101B/E			3,79 l	20 kg
PUD-1300B/E	Acción única	Descarga/Asimiento	2,00 l	14 kg
PUD-1301B/E			2,00 l	20 kg
PUJ-1200B/E	Acción única	3 vías, 2 posiciones	2,00 l	12 kg
PUJ-1201B/E			3,79 l	18 kg
PUJ-1400B/E	Acción doble	4 vías, 3 posiciones	2,00 l	15 kg
PUJ-1401B/E			3,79 l	20 kg

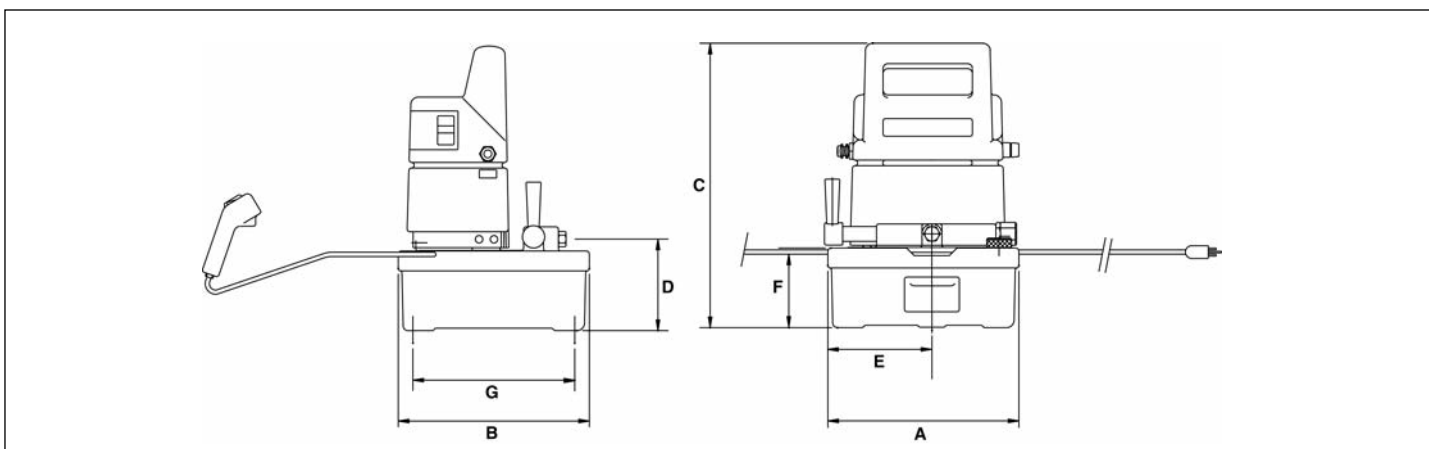


Figura 1

Dimensiones cm								
Modelos	A	B	C	D	E	F	G	H
PUD-1100B/E, PUD-1300B/E, PUJ-1200B/E, PUJ-1400B/E	24,43	24,43	36,20	11,99	13,34	10,16	20,62	1,90
PUD-1101B/E, PUD-1301B/E, PUJ-1201B/E, PUJ-1401B/E	30,94	36,83	10,54	13,00	14,27	10,54	32,43	1,57

\* La dimensión "D" en la PUJ-1400B/E mide 15,7 cm; en la PUJ-1401B/E mide 16,7 cm

## 4.0 INSTALACION

### 4.1 Conexiones hidráulicas

Ponga una vuelta y media de cinta de teflón (o un sellador de roscas adecuado) en todas las roscas, dejando el primer hilo de rosca sin encintar para asegurar que no se desprendan pedazos de cinta y entren al sistema hidráulico, causando daños. Recorte las puntas sueltas.



**ADVERTENCIA:** Para asegurar el funcionamiento correcto, evite retorcer o doblar pronunciadamente las mangueras. Si una manguera se retuerce o daña de otra manera, reemplácela. Las mangueras dañadas pueden romperse a alta presión y causar lesiones.

#### Modelos PUJ-1200B/E, PUJ-1201B/E (Figura 2)

1. Quite el tapón para transporte de la lumbrera de 250-18 NPT (A) para manómetros en la parte superior de la válvula de control.
2. Instale un manómetro de 0-1035 bar en la lumbrera (A).
3. Si es necesario, roscar la manguera hidráulica en el puerto de salida de la válvula .375-18 NPT (B).
4. Conecte una línea de retorno enroscando una manguera en la lumbrera de retorno (C) al tanque.

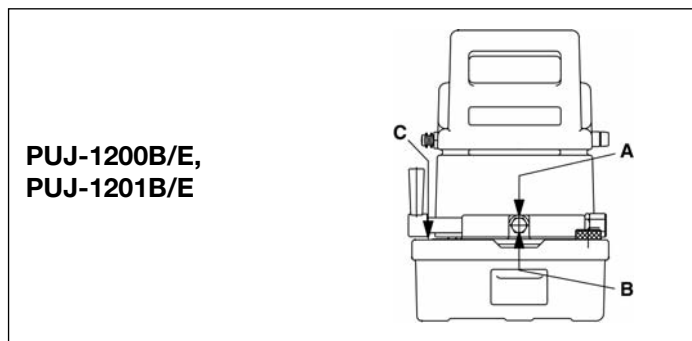


Figura 2

#### Modelos PUJ-1400B/E, PUJ-1401B/E (Figura 3)

1. Quite el tapón para transporte de la lumbrera de avance (D) de la válvula. Instale un adaptador para manómetros en la lumbrera de avance (D) de .375-18 NPT.
2. Instale un manómetro de 1035 bar en la lumbrera superior del adaptador para manómetros.
3. Instalar una manguera hidráulica en el puerto del extremo del adaptador de salida del indicador (.375-18 NPT). Conecte la mitad del acoplador instalada en la manguera a la mitad del acoplador instalada en la lumbrera de avance del cilindro. Apriete el collar del acoplador firmemente con la mano. NO USE herramientas para apretar las mitades de los acopladores.
4. Al utilizar un circuito de doble actuación, introducir la manguera en el puerto retraído (E) situado en la válvula de control. Conecte la mitad del acoplador instalada en la manguera a la mitad del acoplador instalada en la lumbrera de retracción del cilindro.

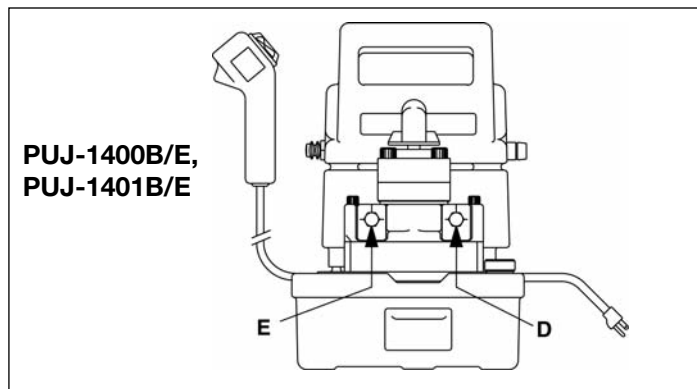


Figura 3

#### Modelos PUD1100B/E, PUD-1101B/E, PUD1300B/E y PUD1301B/E

1. La manguera entre la bomba y el cilindro se conecta directamente en la conexión (A) de la válvula de control (vea Figura 4).
2. Si se desea instalar un manómetro, debe montarse un adaptador en la conexión (A) de la válvula. Usar un manómetro de 0-10,000 psi (700 Bar).

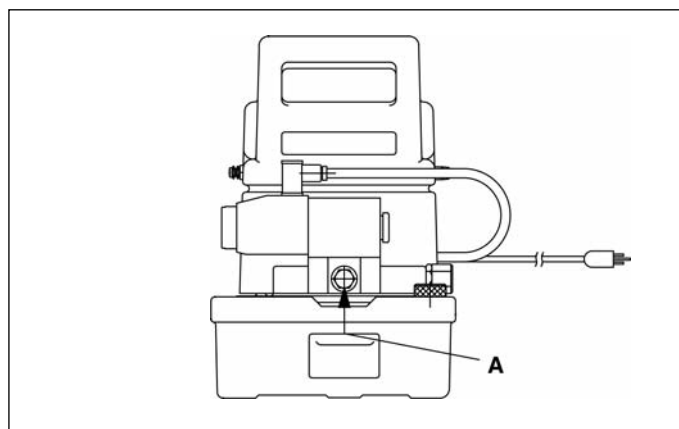


Figura 4

### 4.2 Secuencia de montaje (Figura 5)

1. Desmontar la placa (n. 1, D43918098).
2. Montar la conexión (n. 2) en la bomba. Nota: Evite dañar las juntas durante la instalación de la conexión.
3. Montar la válvula (n. 3). Nota: Evite dañar las juntas durante la instalación de la conexión.

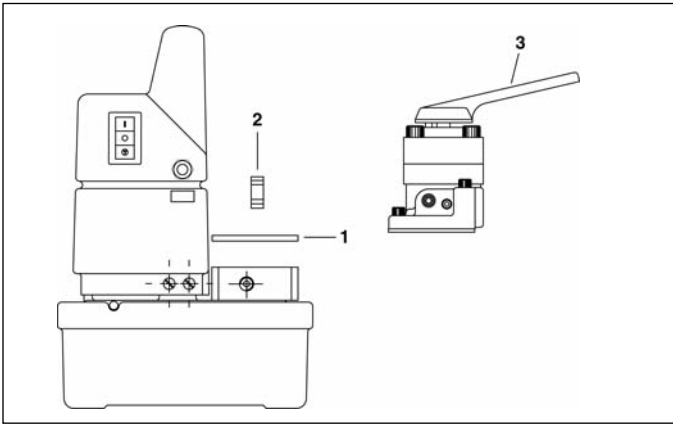


Figura 5

#### 4.3 Adición de aceite (Figura 6)

Para revisar el nivel de aceite, destornille y saque el tapón ventilado de llenado (F). Añada aceite hidráulico Enerpac hasta que el nivel esté a 1 cm por debajo de la abertura de ventilación/llenado.

**IMPORTANTE:** Añada aceite solamente cuando todos los componentes del sistema estén totalmente retraídos, de lo contrario el sistema contendrá más aceite que el que puede guardarse en el depósito.

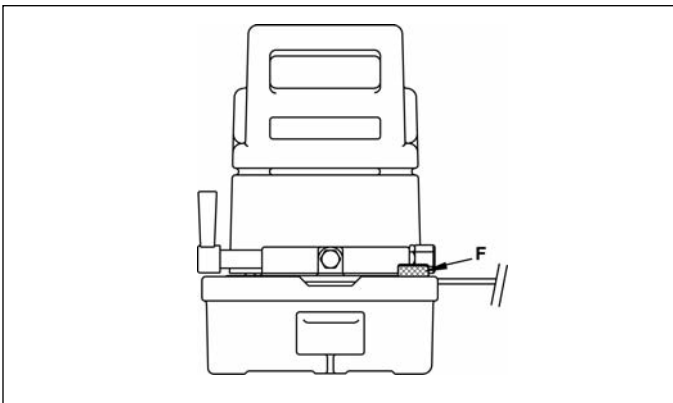


Figura 6

### 5.0 FUNCIONAMIENTO

**NOTA:** Para evitar las pérdidas de energía entre el tomacorriente y el motor de la bomba, utilice el cordón de extensión más corto posible. El motor de la bomba puede funcionar con un voltaje bajo, pero su velocidad y caudal de aceite se verán reducidos.

1. Revise todos los adaptadores y conexiones del sistema para asegurarse que estén bien apretados y sin fugas.
2. Revise el nivel de fluido y añada, de ser necesario.
3. Abra el tapón ventilado (F) de la bomba ubicado en la esquina delantera derecha del depósito girándolo 1 ó 2 vueltas completas.



**ATENCIÓN:** Es necesario abrir el tapón ventilado cuando se pone la bomba en funcionamiento.

#### 5.1 Funcionamiento del interruptor (Figura 7)

El modelo "B" requiere un circuito de alimentación de 15 A, 120 V referido a tierra, monofásico. El modelo "E" requiere uno de 220 V, monofásico. El cordón eléctrico de la bomba mide 1 1/2 m de largo.

1. El interruptor de la bomba está ubicado en el costado de la envuelta de la máquina. Es un interruptor de tres posiciones: la

posición superior es la de CONECTADO ("ON"), la central es la de DESCONECTADO ("OFF") y la inferior es la de funcionamiento momentáneo, o "MOM". Al poner el interruptor en la posición de CONECTADO ("ON") se activa el circuito eléctrico pero no se enciende el motor de la bomba. El motor de la bomba se activa con el interruptor del control colgante (G).

2. Al oprimir la porción inferior del interruptor se activa el motor de la bomba mientras se mantenga oprimido el interruptor. Al soltar el interruptor se detiene la bomba. Esta posición de funcionamiento momentáneo se usa como alternativa al uso del control colgante.

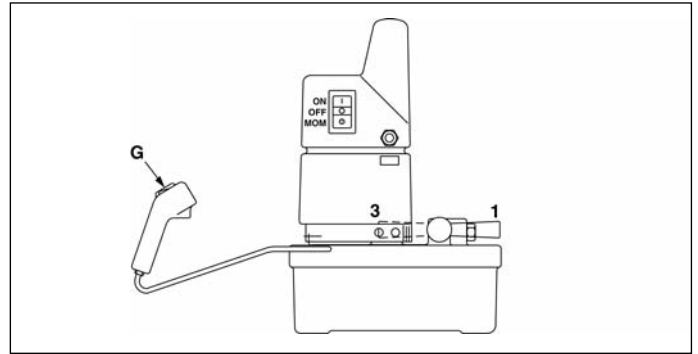


Figura 7

#### 5.2 Válvula de control de la bomba

##### Modelos PUJ-1200B/E y PUJ-1201B/E (Figura 8)

La válvula de control de la bomba envía el fluido hidráulico a los componentes del sistema hidráulico o lo retorna de éstos. Estos modelos tienen válvulas de 3 vías y 2 posiciones. Las posiciones de la válvula se muestran en la Figura 8:

- 1 - Avance, 3 - Retracción.

Para hacer avanzar el cilindro, coloque la válvula en la posición de avance (1) y oprima el interruptor del control colgante. El cilindro avanzará hasta que se suelte el interruptor del control colgante. Para retraer el cilindro, coloque la válvula en la posición de retracción (3). El cilindro se retraerá, esté o no esté funcionando la bomba.

##### Modelos PUJ-1400B/E y PUJ-1401B/E

Las válvulas de control de los modelos PUJ-1400B/E y PUJ-1401B/E son de 4 vías y 3 posiciones, para uso con cilindros de doble acción en los cuales las funciones de avance y retracción se activan hidráulicamente. Las posiciones de la válvula se muestran en la Figura 8:

- 1 - Avance, 2 - Retracción, 3 - Punto muerto.

En cada una de las posiciones, el movimiento del cilindro se activa con el control colgante.

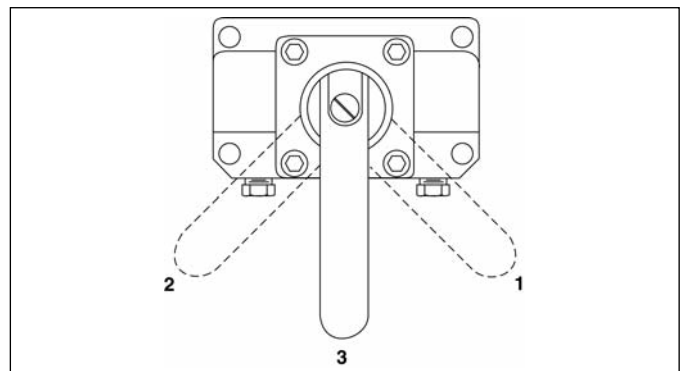


Figura 8



## Modelos PUD-1100B/E y PUD-1101B/E

Los modelos PUD-1100B/E y PUD-1101B/E accionan cilindros de acción única en los cuales no se necesita la función de retención. El oprimir el interruptor del control colgante arranca el motor y hace avanzar el cilindro. Cuando se suelta el interruptor, el cilindro se retrae.

## Modelos PUD1300B/E y PUD1301B/E

Las bombas PUD1300B/E y PUD1301B/E sirven para accionar cilindros de simple efecto cuando es necesario mantener la carga. Pulsando el botón de avance arranca la bomba y avanza el cilindro.

Soltando el botón de avance se para la bomba y el cilindro retiene la carga con la válvula.

Al pulsar el botón de retracción conmuta la válvula y el cilindro se retrae.

**NOTA:** Debido a la inercia y a las condiciones de carga el tiempo de parada del motor puede variar, el cilindro puede no detenerse en el momento exacto de soltar el botón. Puede haber un corto movimiento del cilindro mientras el motor para.

## 5.3 Relé térmico (todos los modelos)

Para proteger la bomba contra los daños, un relé interno apaga el motor si la temperatura del aceite llega a 65 °C. Cuando la temperatura desciende a 54 °C, el relé se reposiciona automáticamente.

## 5.4 Purga del aire

Cuando se conecta por primera vez el sistema hidráulico, queda aire retenido en los componentes. Para asegurar el funcionamiento suave y seguro, purgue el aire del sistema haciéndolo funcionar por varios ciclos completos sin carga en los cilindros. Cuando los cilindros avanzan y se retraen suavemente, se ha expulsado todo el aire del sistema.



**ADVERTENCIA:** Para evitar las lesiones personales y los daños al equipo, no continúe presurizando los cilindros después que éstos hayan alcanzado el fin de su carrera o la presión máxima de funcionamiento.

## 6.0 AJUSTE DE LA VALVULA DE ALIVIO (Figura 9)

La válvula de alivio principal de la bomba es interna y no puede ajustarse. Se ha ajustado en la fábrica para una presión de funcionamiento máxima de 700 bar. Una válvula de alivio externa adicional se encuentra ubicada debajo de una tapa hexagonal en el lado derecho de la bomba. La válvula de alivio externa puede ajustarse de 700 bar a 140 bar. Los límites de presión de funcionamiento pueden reducirse a menos de 700 bar, pero no pueden fijarse a más de 700 bar. (Los modelos PUJ-1400B/E y PUJ-1401B/E no vienen equipados con válvulas de alivio externas ajustables.)

Cómo ajustar la válvula de alivio (Figura 9)

1. Instale un manómetro según se indica en las instrucciones de instalación en la página 28.
2. Instale un tapón en la lumbrera de salida de la válvula.
3. Quite la tapa hexagonal (**H**) que cubre el tornillo de ajuste de la válvula de alivio.
4. Utilice una llave Allen para girar el tornillo de ajuste en sentido contrahorario una vuelta completa.
5. Encienda la bomba y haga funcionar el motor mientras observa la indicación del manómetro para ver la presión máxima. Apague la bomba.
6. Continúe ajustando el tornillo de ajuste hasta obtener la presión deseada.

7. Compruebe el ajuste haciendo funcionar la bomba varias veces. manómetro es la misma cada vez, el ajuste de la válvula es estable.
8. Vuelva a colocar la tapa hexagonal para cubrir el tornillo de ajuste.

**NOTA:** Para obtener el ajuste más preciso de la válvula de alivio, empezar ajustándola a una presión más baja y aumentar el valor de ajuste hasta la presión de alivio que se desee.

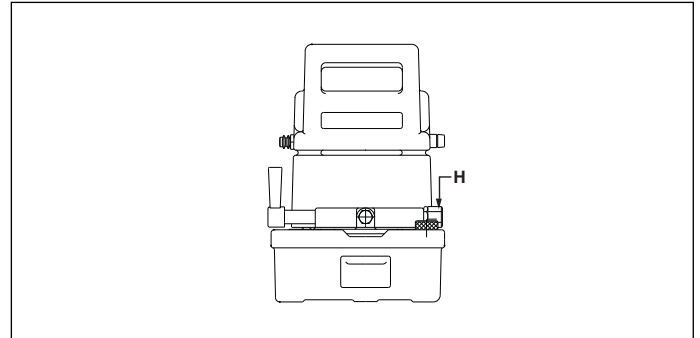


Figura 9



**ADVERTENCIA:** Para evitar dañar el equipo y causar lesiones personales, no ajuste la presión de funcionamiento a más de 700 bar.

## 7.0 MANTENIMIENTO

### 7.1 Revisión del nivel de aceite

Revise el nivel del aceite hidráulico en el depósito cada 40 horas de funcionamiento. Añada aceite según sea necesario hasta que el nivel esté a 1 cm por debajo de la abertura de llenado. Utilice aceite hidráulico Enerpac solamente. Si se usan otros tipos de aceite o fluido se podría dañar el sistema y se anula la garantía de Enerpac.

### 7.2 Cambio de aceite (Figura 10)

Vacíe totalmente el depósito después de cada 100 horas de funcionamiento. Vuelva a llenar con aceite hidráulico nuevo. Si la bomba se hace funcionar en zonas muy polvorientas o a temperaturas muy altas, cámbielo con más frecuencia.

1. Para vaciar el depósito, quite el tapón ventilado de llenado (**F**) de la esquina superior derecha del depósito.
2. Inclíne la bomba hasta vaciar todo el aceite viejo.
3. Llène con aceite nuevo a través de la misma abertura. El depósito tiene una capacidad de 2,8 l ó 5,7 l, según el modelo.
4. Vuelva a colocar el tapón de llenado (**F**).

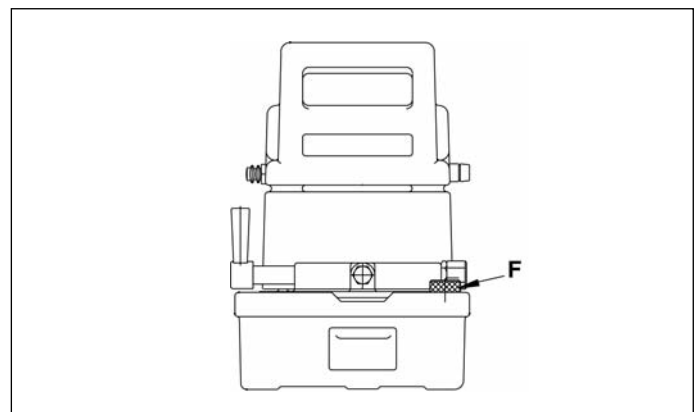


Figura 10

### 7.3 Limpieza del depósito

El depósito de la bomba puede quitarse para limpiarlo. Si la bomba se usa de modo constante en un lugar polvoriento, limpie el depósito una vez al año.

1. Vacíe el depósito según lo descrito en los pasos 1 y 2 de la sección Cambio de aceite.
2. Quite los seis tornillos que fijan la envuelta al depósito. Levante la envuelta para quitarla del depósito. Un cojín de espuma rodea el motor para mantener los alambres eléctricos alejados de éste. Evite dañar las conexiones de los alambres eléctricos o tirar de ellos, desconectándolos de sus bornes.
3. Quite los ocho tornillos que fijan la bomba al depósito.
4. Limpie el depósito a fondo con un solvente apropiado. Use un cepillo de cerdas suaves para limpiar los dos tamices recolectores.
5. Vuelva a armar la bomba y el depósito, instalando una empaquetadura nueva. Coloque la envuelta sobre el motor con su manija hacia el lado de la válvula de la bomba. Instale los seis tornillos de montaje y las arandelas de seguridad interiores/exteriores.

Si la bomba requiere reparación, diríjase al centro de servicio autorizado Enerpac de su zona.

### 7.4 Cepillos del motor

Comprobar los cepillos del motor eléctrico, al menos, una vez cada dos años. En el caso de bombas con aplicaciones de mucho uso, comprobar los cepillos al menos una vez cada seis meses.



**PELIGRO:** Para evitar posibles electrocuciones, la bomba debe desconectarse completamente de la alimentación eléctrica antes de realizar trabajos de mantenimiento en las escobillas.

### 8.0 SOLUCIÓN DE PROBLEMAS (véase el cuadro)

El cuadro de solución de problemas está diseñado para ser una guía que le ayuda a identificar y corregir los posibles problemas con la bomba.

#### CUADRO DE SOLUCIÓN DE PROBLEMAS

Problema	Causa posible	Solución
La bomba no arranca	Falta de alimentación. Voltaje incorrecto.	Revise la fuente de alimentación eléctrica. Revise las especificaciones de voltaje en la página 27.
El cilindro no avanza ni se retrae.	Bajo nivel de fluido. Tamiz de entrada obstruido. Válvula en posición incorrecta. Falla de la válvula.	Llene el depósito hasta el nivel apropiado. Limpie o reemplace el tamiz de entrada. Coloque la válvula en la posición de presión. Solicite a un técnico competente en sistemas hidráulicos que repare la bomba.
El cilindro avanza o se retrae de modo irregular.	Aire en el sistema. Fuga externa en el sistema. Fuga interna de fluido hidráulico.	Purgue el aire del sistema abriendo y cerrando la herramienta hasta que funcione de modo uniforme. Apriete las conexiones que tienen fuga. Reemplace las mangueras o adaptadores que estén dañados. Solicite a un técnico competente en sistemas hidráulicos que repare la bomba.
La bomba no mantiene la presión.	Fuga externa de fluido hidráulico. Fuga interna de fluido hidráulico.	Apriete las conexiones que tienen fuga. Reemplace las mangueras o adaptadores que estén dañados. Solicite a un técnico competente en sistemas hidráulicos que repare la bomba.
Bajo caudal de salida.	Bajo nivel de fluido. Fugas en componentes de la bomba. Avería de la válvula de derivación.  Tamices de entrada de fluido en los bloques de émbolos podrían estar obstruidos.	Llene el depósito hasta el nivel apropiado. Someta el sistema a pruebas para identificar las fugas. Solicite a un técnico competente en sistemas hidráulicos que repare la bomba. Inspeccione los tamices de entrada. Enjuague los componentes para quitarles los contaminantes. Reemplace los componentes dañados.

Sólo técnicos hidráulicos cualificados deben solucionar los problemas y reparar la bomba. Para servicio de reparación, contactar el centro de servicio técnico autorizado de Enerpac de su zona.

### 8.1 Interruptor automático (bombas con código de fecha "F" y posteriores)

En caso de una sobrecarga eléctrica, se disparará el interruptor automático de la bomba. Después de analizar y corregir la fuente de la sobrecarga, pulsar el botón del interruptor automático para su reajuste.

### 8.2 Fusibles (bombas con código de fecha "F" y posteriores)

Fusibles internos protegen los circuitos principales y secundarios del transformador de control. Si un fusible se funde, analizar y corregir la fuente de la falla. Luego, sustituir el fusible por un fusible nuevo correspondiente. Para conocer los fusibles correspondientes, consultar la hoja de piezas de recambio del modelo de su bomba.



**ADVERTENCIA:** Desconectar siempre la energía eléctrica antes de sustituir un fusible.

### 9.0 TESTÁNDARES DE PRUEBA

#### 9.1 Asociación canadiense de estándares (CSA)

Cuando así se especifique, las bombas deben cumplir con los requisitos de prueba y de diseño de la CSA, la Asociación canadiense de estándares (consultar CAN/CSA — C22.2 n.º 68-92, dispositivos motores).

#### 9.2 CConformité Européene (CE)

Cuando así se especifique, se debe proporcionar una declaración de conformidad de la EC y marcado CE del producto. Estos productos se ajustan a los estándares europeos EN982:1996, EN1050:1998 y EN-ISO-12100-1&2:2003 y a las directivas de EC 2006/42/EC, 97/23/EC, 2004/108/EC, 2006/95/EC y 97/23/EC.



L2062 Rev. E 06/11

#### 1.0 BELANGRIJKE INSTRUCTIES BIJ ONTVANGST

Controleer visueel alle onderdelen op schade opgelopen tijdens de verzending. Schade opgelopen tijdens de verzending wordt niet door de garantie gedekt. Als schade opgelopen tijdens de verzending wordt gevonden, de transporteur hier onmiddellijk van op de hoogte stellen. De transporteur is verantwoordelijk voor alle reparatie- of vervangingskosten als gevolg van opgelopen schade tijdens de verzending.

#### VEILIGHEID VOOROP

#### 2.0 VEILIGHEIDSKWESTIES

  Lees nauwkeurig alle instructies, waarschuwingen en let op-gedeelten. Volg alle veiligheidsvoorzieningen om persoonlijk letsel of schade aan eigendom te voorkomen als het systeem in werking is. Enerpac kan niet verantwoordelijk worden gesteld voor schade of letsels als gevolg van onveilig gebruik van dit product, gebrek aan onderhoud, of onjuiste toepassing van het product of het systeem. Neem contact op met Enerpac mocht u twijfels hebben over veiligheidsvoorzieningen en werkingen. Als u nooit een opleiding in hogedruk hydraulische veiligheid hebt gevolgd neem dan contact om met uw verdeel- of servicecentrum voor een gratis veiligheids cursus van Enerpac Hydraulic.

Het niet volgen van deze waarschuwingsboodschappen en voorzorgsmaatregelen kan schade aan de machine en persoonlijk letsel veroorzaken.

**LET OP** wordt gebruikt om correcte bedienings- en onderhoudsprocedures en praktijken aan te duiden om schade aan, of vernietiging van, machines of andere eigendom te voorkomen.

**WAARSCHUWING** wijst op een mogelijk gevaar dat de juiste procedures en praktijken vereist om persoonlijk letsel te voorkomen.

**GEVAAR** wordt enkel gebruikt als uw actie of gebrek aan actie ernstig letsel of zelfs de dood tot gevolg kan hebben.



**WAARSCHUWING:** Draag de juiste persoonlijke beschermende kleding bij het werken met hydraulische machines.



**WAARSCHUWING: Blijf uit de buurt van ladingen die hydraulisch worden ondersteund.** Een cilinder die wordt gebruikt als een hefinrichting mag nooit worden gebruikt als een lasthouder. Nadat de lading omhoog of omlaag is gebracht, moet deze altijd mechanisch worden geblokkeerd.



**WAARSCHUWING: GEBRUIK ENKEL STIJVE MATERIALEN OM DE LADINGEN VAST TE HOUDEN.**

Kies met zorg stalen of houten blokken die een lading kunnen ondersteunen. Gebruik nooit een hydraulische cilinder als een pakkingschijf of een afstandstuk in enige toepassing waarbij opheffen of drukken wordt gebruikt.



**GEVAAR:** Om persoonlijk letsel te voorkomen, handen en voeten weghouden van de cilinder en het werkstuk tijdens de bediening.



**WAARSCHUWING:** Niet de nominale waarden van de machines overschrijden. Probeer nooit om een lading op te heffen die meer weegt dan de capaciteit van de cilinder. Overladen veroorzaakt falen van de machine en mogelijk persoonlijk letsel. De cilinders zijn ontworpen voor een maximale druk van 700 bar. Geen vijzel of cilinder op een pomp aansluiten die een hogere drukwaarde heeft.



**Nooit** de ontlastklep instellen op een hogere druk dan de maximaal nominale druk van de pomp. Hogere instellingen kunnen schade aan de machine en/of persoonlijk letsel tot gevolg hebben.



**WAARSCHUWING:** De bedieningsdruk van het systeem mag de nominale drukwaarde van het onderdeel met de laagste waarde in het systeem niet overschrijden. Installeer drukmeters in het systeem om de bedieningsdruk te controleren. Op die manier weet u wat er in het systeem gebeurt.



**LET OP: De hydraulische slang niet beschadigen.** Vermijd ombuigen en knikken bij het aanbrengen van de hydraulische slangen. Een gebogen of geknikte slang gebruiken kan ernstige tegendruk van de afvoerstroam veroorzaken. Scherpe ombuigingen en knikken beschadigen de slang aan de binnenkant wat tot vroegtijdig falen van de slang kan leiden.



**Geen zware** objecten op de slang laten vallen. Een scherpe impact kan interne schade aan de draadvezels van de slang veroorzaken. Druk uitoefenen op een slang die beschadigd is, kan scheuren van de slang tot gevolg hebben.



**BELANGRIJK:** Hydraulische machines niet bij de slangen of de wartelkoppelingen opheffen. Gebruik de draaghandgreep of een ander middel om de machine veilig te transporteren.



**LET OP: Houd de hydraulische machine weg van vlammen en hitte.** Buitenmatige hitte verzacht de pakkingen en afdichtingen wat tot vloeistoflekken kan leiden. Hitte verzwakt ook slangmaterialen en pakkingen. Voor optimale prestaties de machines niet blootstellen aan temperaturen van 65°C (150°F) of hoger. Bescherm slangen en cilinders tegen lasspetters.



**GEVAAR: Slangen die onder druk staan, niet aanraken.** Als olie die onder druk staat ontsnapt, kan het door de huid dringen wat ernstige letsel kan veroorzaken. Als olie onder de huid wordt geïnjecteerd, onmiddellijk een arts raadplegen.



**WAARSCHUWING: Gebruik hydraulische cilinders enkel in een aangesloten systeem.** Nooit een cilinder gebruiken met koppelingen die niet aangesloten zijn. Als de cilinder uiterst overladen is, kunnen onderdelen op een catastrofische manier falen wat ernstig persoonlijk letsel kan veroorzaken.



**WAARSCHUWING: Zorg dat de apparatuur stabiel is opgezet alvorens lasten te heffen.** De cilinder dient op een vlakke ondergrond geplaatst te worden die de last kan dragen. Gebruik waar mogelijk een ondersteuning voor de cilinder voor extra stabiliteit. De cilinder mag niet gelast of op een andere manier aangepast worden voor het bevestigen van een voetstuk of andere ondersteuning.



**Vermijd** situaties, waarbij de last niet aangrijpt in het hart van de cilinderplunjer. Niet-centrisch aangrijpende lasten veroorzaken aanzienlijke spanningen in de cilinder en de plunjer. Bovendien kan de last wegglijden of vallen, wat tot gevaarlijke situaties leidt.



Verdeel de last gelijkmatig over het gehele zadeloppervlak. Gebruik altijd een zadel om de plunjer te beschermen, wanneer geen hulpstukken met schroefdraad worden gebruikt.



**BELANGRIJK:** Hydraulische machines mogen enkel door een bevoegd hydraulisch technicus van onderhoud worden voorzien. Voor reparaties dient u contact op te nemen met een nabijgelegen bevoegd ENERPAC servicecentrum. Om uw garantie te beschermen, enkel ENERPAC olie gebruiken.



**WAARSCHUWING:** Versleten of beschadigde onderdelen onmiddellijk met authentieke ENERPAC onderdelen vervangen. Standaardonderdelen breken, wat tot persoonlijk letsel en schade aan eigendom kan leiden. ENERPAC onderdelen zijn zodanig ontworpen dat ze precies passen en hoge ladingen kunnen weerstaan.

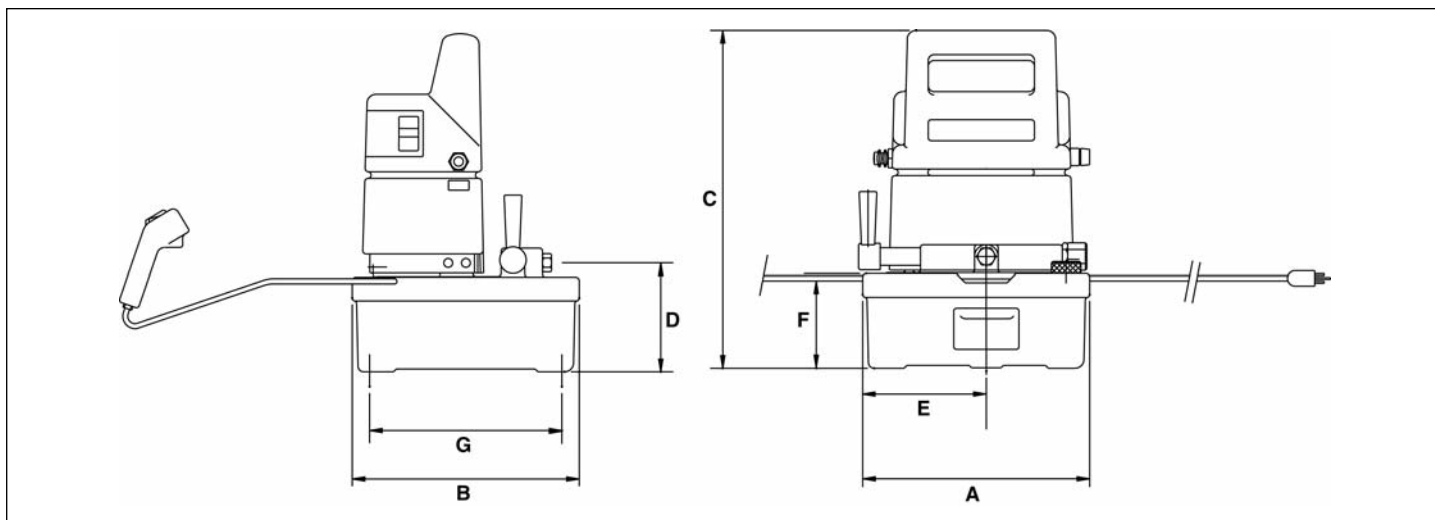


**VOORZICHTIG:** Controleer de specificaties en de gegevens op het motorfabrikantenplaatje. Het gebruik van een onjuiste voeding beschadigt de motor.

### 3.0 SPECIFICATIES

	"B" modellen	"E" modellen
<b>Bedrijfsdruk</b>	0 - 700 bar	
<b>Elektrische voeding</b>	15 A 120 V geaard 1 fase 50/60 Hz	10 A 220 V 1 fase 50/60 Hz
<b>Motorvermogen</b>	0,37 kW Universal, 9 A bij 700 bar en toerental van 12.000 werkt op 60-125 V 85-89 dBa	0,37 kW Universal, 4 A bij 700 bar en toerental van 12.000, 85-89 dBa
<b>Opbrengst</b>	3,3 l/min bij 0 bar tot 14 bar; 0,33 l/min bij 700 bar	
<b>Maximale bedrijfstemperatuur</b>	65°C	

Modelnr.	Gebruikt met cilinder	Kleptype	Bruikbare olie-inhoud	Gewicht
PUD-1100B/E	enkelwerkend	Stortklep	2,00 l	14 kg
PUD-1101B/E			3,79 l	20 kg
PUD-1100B/E	enkelwerkend	Ontlasten/Vasthouden	2,00 l	14 kg
PUD-1101B/E			3,79 l	20 kg
PUJ-1200B/E	enkelwerkend	3-weg klep met 2 standen	2,00 l	12 kg
PUJ-1201B/E			3,79 l	18 kg
PUJ-1400B/E	dubbelwerkend	4-weg klep met 3 standen	2,00 l	15 kg
PUJ-1401B/E			3,79 l	20 kg



Afbeelding 1

Afmetingen cm								
Modellen	A	B	C	D	E	F	G	H
PUD-1100B/E, PUD-1300B/E, PUJ-1200B/E, PUJ-1400B/E	24,43	24,43	36,20	11,99	13,34	10,16	20,62	1,90
PUD-1101B/E, PUD-1301B/E, PUJ-1201B/E, PUJ-1401B/E	30,94	36,83	10,54	13,00	14,27	10,54	32,43	1,57

\* Afmeting "D" op de PUJ-1400B/E is 15,7 cm en op de PUJ-1401B/E is 16,7 cm

## 4.0 INSTALLATIE

### 4.1 Hydraulische aansluitingen

Wikkel alleen rond alle schroefdraden anderhalve slag Teflonband (of geschikt schroefafdichtmiddel) en houd de eerste volledige gang vrij om te voorkomen dat er stukjes band afbreken en in het hydraulische systeem terecht komen. Knip losse einden af.



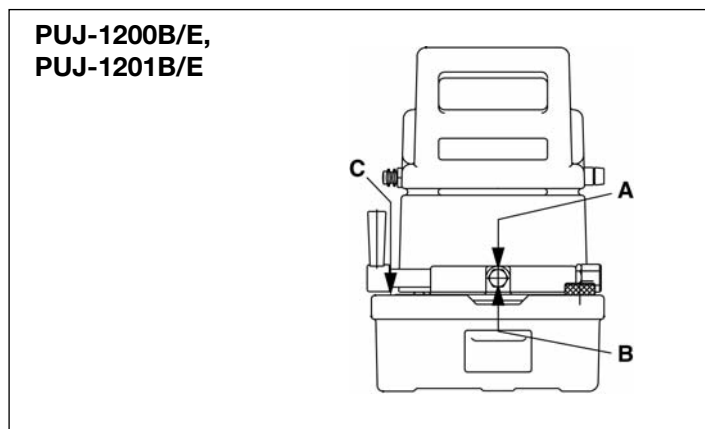
**WAARSCHUWING:** Voorkom knikken of scherpe bochten in slangen om zeker te zijn van een goede werking. Als een slang geknikt of op andere wijze beschadigd raakt, moet hij vervangen worden. Een beschadigde slang kan onder hoge druk barsten en daardoor persoonlijk letsel veroorzaken.

#### Modellen PUJ-1200B/E en PUJ-1201B/E (Afbeelding 2)

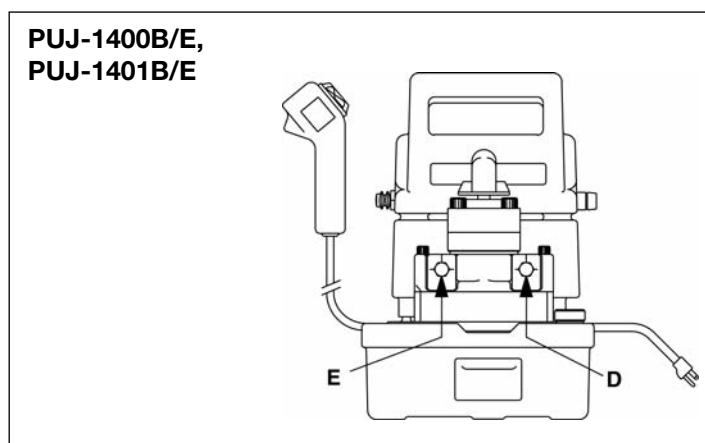
1. Verwijder de transportstop uit de .250-18 NPT manometerpoort (A) bovenop de regelklep.
2. Monteer een manometer voor 0-1035 bar in de manometerpoort (A).
3. Schroef de hydraulische slang, indien nodig, in de uitlaatpoort van de .375-18 NPT klep (B).
4. Sluit een terugvoerleiding aan door een slang in de terugvoeraansluiting van tankpoort (C) te draaien.

#### Modellen PUJ-1400B/E en PUJ-1401B/E (Afbeelding 3)

1. Verwijder de transportstop uit de klepuitschuifpoort (D). Monteer een manometeradapter in de .375-18 NPT uitschuifpoort (D).
2. Monteer een manometer voor 1035 bar in de bovenste poort van de manometeradapter.
3. Sluit een hydraulische slang aan op eindpoort van de meteradapter (.375-18 NPT). Sluit de slangkoppelinghelft aan op de koppelinghelft voor het uitschuiven van de cilinder. Draai de koppelingsluitring stevig met de hand vast. Gebruik GEEN gereedschap om de koppelinghelften vast te draaien.
4. Indien u een dubbelwerkend circuit gebruikt, sluit de slang dan aan op de poort voor intrekken (E) op de regelklep.



Afbeelding 2



Afbeelding 3

## PUD1100B/E, PUD-1101B/E, PUD1300B/E en PUD1301B/E modellen

1. De hydraulische slang kan direct in de drukpoort (A) van het stuurventiel gemonteerd worden (see figuur 4).
2. Als u de systeem druk wilt controleren dient u een manometer-tussenstuk in de drukpoort (A) van het stuurventiel te monteren. Sluit de 700 bar / 10000 psi manometer op het manometer-tussenstuk. Monteer de hydraulische slang op het manometer-tussenstuk.

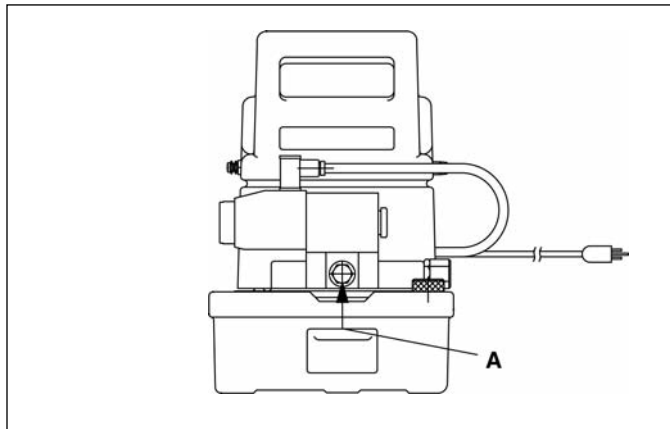
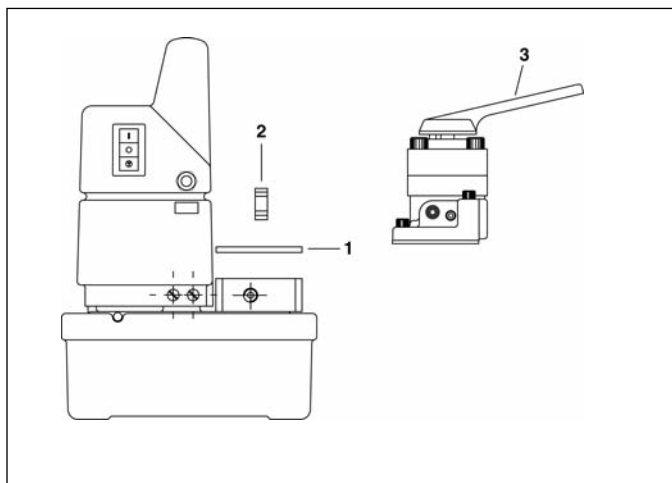


Figure 4

### 4.2 Montage van de klep (Figuur 5)

1. Verwijder de plaat (item D43918098).
2. Controleer of de connector op de pomp is aangesloten. Is dit niet het geval, sluit de connector dan aan en wees daarbij voorzichtig dat u de afdichtingen niet beschadigt.
3. Monteer de klep en wees daarbij voorzichtig dat u de afdichtingen niet beschadigt.

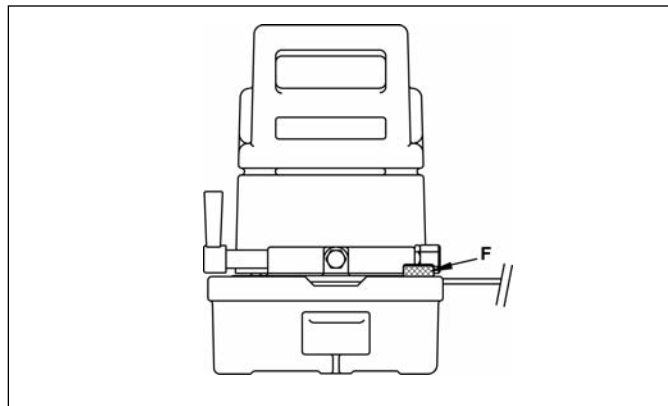


Afbeelding 5

### 4.3 Olie bijvullen (Afbeelding 6)

Controleer het oliepeil door de ontluuchtings/vulstop (F) los te schroeven en te verwijderen. Vul Enerpac hydrauliekolie bij totdat het oliepeil zich 1 cm onder de ontluuchtings/vulopening bevindt.

**BELANGRIJK:** Vul alleen olie bij met alle systeemonderdelen in de volledig ingeschoven stand, anders komt er meer olie in het systeem dan het reservoir kan bevatten.



Afbeelding 6

## 5.0 WERKING

**OPMERKING:** Gebruik een zo kort mogelijk verlengsnoer om vermogensverlies tussen het stopcontact en de pompmotor te voorkomen. De pompmotor werkt wel op lage spanning, maar het motortoerental en de oliedoorstroming worden dan minder. Controleer of alle koppelingen en aansluitingen van het systeem goed vast zitten en niet lekken. Controleer het vloeistofpeil en vul zonodig vloeistof bij. Open de pompontluuchtingsstop (F) die zich rechts voor op het reservoir bevindt, door hem 1 of 2 volledige slagen te draaien.

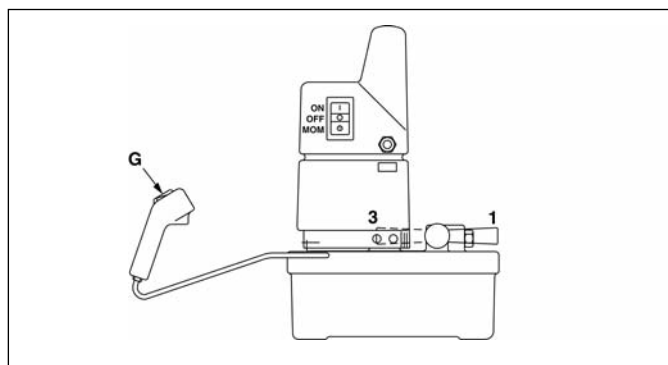


**VOORZICHTIG:** De ontluuchtingsstop moet altijd open staan wanneer de pomp loopt.

### 5.1 Bediening van de schakelaar (Afbeelding 7)

De versie "B" vereist een geaard stroomcircuit van 15 A, 120 V en 1 fase. De versie "E" vereist 220 V en 1 fase. Het netsnoer van de pomp is 1,5 m lang.

1. De schakelaar van de pomp bevindt zich aan de zijkant van de omkasting. Het is een driestandenschakelaar, de bovenste stand is "ON" ("AAN"), de middelste "OFF" ("UIT") en de onderste is kortstondig aan "MOM" ("KORT"). Het indrukken van de bovenste stand, "ON" ("AAN"), bekrachtigt het elektrische circuit, maar zet de motor van de pomp niet aan. De motor van de pomp wordt door de snoerschakelaar (G) bekrachtigd.
2. Het indrukken van het onderste gedeelte van de schakelaar zet de motor van de pomp in werking zolang als schakelaar ingedrukt wordt gehouden. De pomp stopt als de schakelaar wordt losgelaten. Deze kortstondige stand wordt gebruikt als een alternatief voor de snoerbediening.



Afbeelding 7

## 5.2 Regelklep van pomp

### Modellen PUJ-1200B/E en PUJ-1201B/E

De regelklep van de pomp stuurt hydrauliekvloeistof van en naar de componenten van het systeem. Deze modellen hebben 3-weg kleppen met 2 standen. De klepstanden vindt u in afbeelding 8:

1 - Uitgeschoven 3 - Ingeschoven.

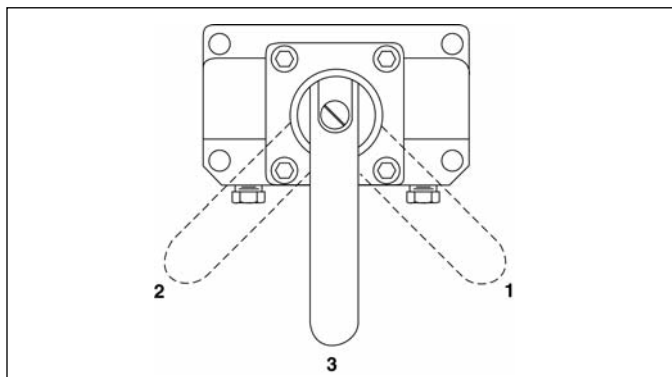
Breng voor het uitschuiven van de cilinder de klep in de uitgeschoven stand (1) en druk de snoerschakelaar in. De cilinder schuift nu uit totdat de snoerschakelaar wordt losgelaten. Breng voor het inschuiven van de cilinder de klep in de ingeschoven stand (3). De cilinder schuift nu in terwijl of zonder dat de pomp loopt.

### Modellen PUJ-1400B/E en PUJ-1401B/E (Afbeelding 8)

De regelkleppen op pompen PUJ-1400B/E en PUJ-1401B/E zijn 4-weg kleppen met 3 standen voor gebruik met dubbelwerkende cilinders waarbij het in- en uitschuiven hydraulisch aangedreven worden. De klepstanden vindt u in afbeelding 8:

1 - Uitgeschoven 2 - Ingeschoven 3 - Neutraal.

In elke stand wordt de beweging van de cilinder geregeld door de snoerschakelaar.



Afbeelding 8

### Modellen PUD-1100B/E en PUD-1101B/E

De PUD-1100B/E en PUD-1101B/E werken met enkelwerkende cilinders waarbij de wachtfunctie niet nodig is. Het indrukken van de snoerschakelaar start de motor en maakt dat de cilinder uitschuift. Wanneer de schakelaar wordt losgelaten, schuift de cilinder in.

### PUD1300B/E en PUD1301B/E modellen

Deze pompuitvoeringen worden gebruikt wanneer een vasthoud functie vereist is bij toepassing van enkelwerkende cilinders.

1. Druk de ADVANCE knop in om de pomp te starten en de plunjer uit te sturen.
2. Laat de advance knop los om de last vast te houden.
3. Druk de RETRACT knop in om de plunjer terug te laten lopen.

**OPMERKING:** Afhankelijk van de belasting kan de stoptijd van de motor variëren – de plunjer kan nog even uitlopen zodra de advance knop wordt losgelaten.

## 5.3 Thermisch relais (alle modellen)

Om de pomp tegen schade te beschermen schakelt een inwendige relaisschakelaar de motor uit wanneer de olietemperatuur 65° C bereikt. Wanneer de temperatuur tot 54° C daalt, reset het relais hem automatisch.

## 5.4 Ontluchten

Wanneer het hydraulieksysteem voor de eerste keer aangesloten wordt, zit er lucht opgesloten in de componenten. Ontlucht het systeem om een soepele, bedrijfszekere werking te verzekeren door het systeem een aantal volledige cycli te laten doorlopen zonder de cilinders te belasten. Wanneer de cilinders zonder haperen uit- en inschuiven, is het systeem ontlucht.



**WAARSCHUWING:** Ga niet door met het verhogen van de druk in de cilinders nadat deze maximaal uit- of ingeschoven zijn of de maximale bedrijfsdruk bereikt hebben, om letsel en schade aan de apparatuur te voorkomen.

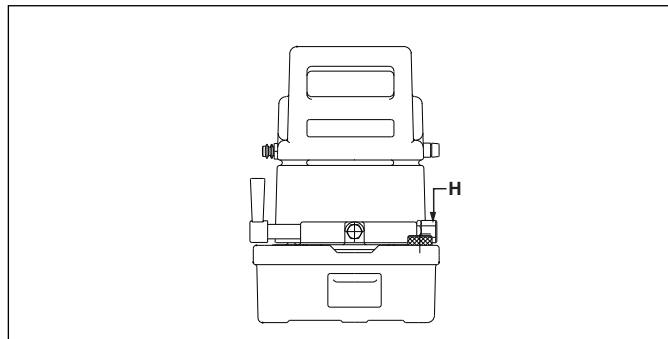
## 6.0 ONTLASTKLEP AFSTELLEN

De hoofdontlastklep van de pomp bevindt zich, binnenin de pomp, is niet instelbaar en is op de fabriek ingesteld op een maximale bedrijfsdruk van 700 bar. Een extra uitwendige ontlastklep bevindt zich onder een zeskantdop aan de rechterkant van de pomp. De uitwendige ontlastklep is instelbaar van 700 bar tot 140 bar. De bedrijfsdrukgrenzen kunnen teruggebracht worden tot onder de 700 bar, maar niet boven de 700 bar. (De modellen PUJ-1400B/E en PUJ-1401B/E zijn niet uitgerust met uitwendige, instelbare ontlastkleppen.)

### 6.1 Ontlastklepinstelling afstellen (Afbeelding 9)

1. Monteer een manometer zoals aangegeven in de montage instructies op pagina 33.
2. Monteer een stop in de klepuitlaatpoort.
3. Verwijder de zeskantdop (H) die de stelbout van de ontlastklep afdekt.
4. Draai de stelbout met een inbussleutel één volle slag tegen de klok in.
5. Zet de pomp "AAN" en laat de motor van de pomp lopen terwijl u de manometerstand voor de maximumdruk in de gaten houdt. Stop de pomp.
6. Ga door met het afstellen van de instelling totdat de gewenste druk verkregen is.
7. Controleer de instelling door de pomp een aantal keren te laten lopen. Indien de manometerstand elke keer hetzelfde is, is de klepinstelling stabiel.
8. Plaats de zeskantdop terug om de stelbout af te dekken.

**OPMERKING:** Om de nauwkeurigste ontlastklepinstelling te verkrijgen moet u op een lagere druk beginnen en deze steeds hoger instellen tot de gewenste ontlastklepinstelling is verkregen



Afbeelding 9



**WAARSCHUWING:** Probeer niet de maximale bedrijfsdruk van 700 bar te overschrijden om schade aan de apparatuur en persoonlijk letsel te voorkomen.

## 7.0 ONDERHOUD

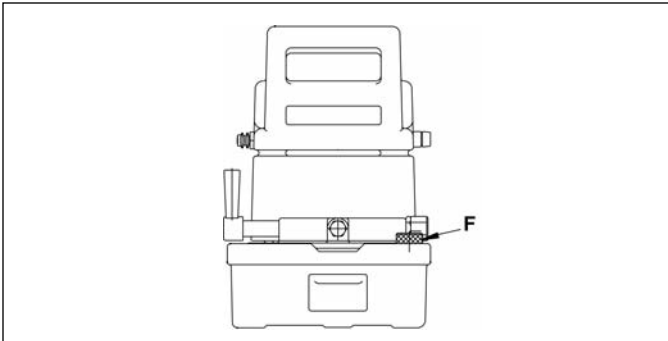
### 7.1 Oliepeil controleren

Controleer het hydrauliekoliepeil in het reservoir om de 40 bedrijfsuren. Vul zonodig olie bij om het peil tot 1 cm onder de vulopening te brengen. Gebruik uitsluitend Enerpac hydrauliekolie. Het gebruik van andere oliën of vloeistoffen kan schade aan uw systeem toebrengen en doet uw Enerpac garantie vervallen.

### 7.2 Olie verversen (Afbeelding 10)

Tap het reservoir om de 100 bedrijfsuren volledig af. Vul het opnieuw met nieuwe hydrauliekolie. Als de pomp in een zeer stoffige omgeving of bij hoge temperaturen wordt gebruikt, ververs de olie dan vaker.

1. Neem voor het aftappen van het reservoir de ontluuchtings/vulstop (**F**) rechts boven uit het reservoir.
2. Kantel de pomp totdat alle oude olie weggelopen is.
3. Vul hem door dezelfde opening met nieuwe olie. De inhoud van het reservoir is 2,8 l of 5,7 l, afhankelijk van het model.
4. Plaats de vulstop (**F**) terug.



Afbeelding 10

### 7.3 Reservoir schoonmaken

Het reservoir van de pomp kan verwijderd worden om het schoon te maken. Als de pomp voortdurend in een zeer stoffige omgeving wordt gebruikt, moet het reservoir eenmaal per jaar schoongemaakt worden.

1. Tap het reservoir af zoals beschreven in stap 1 en 2 van "Olie verversen".
2. Verwijder de zes bouten waarmee de omkasting aan het reservoir bevestigd is. Til de omkasting van het reservoir af. Rondom de motor bevindt zich een schuimbuffer om elektriciteitsdraden uit de buurt van de motor te houden. Wees voorzichtig dat u de aansluitpunten niet beschadigt of draadverbindingen ervanaf trekt.
3. Verwijder de acht bouten waarmee de pomp op het reservoir bevestigd is. Til de pomp van het reservoir af en verwijder de pakking.
4. Maak het reservoir grondig schoon met een geschikt oplosmiddel.
5. Zet de pomp en het reservoir weer in elkaar; gebruik daarbij een nieuwe pakking. Breng de omkasting op zijn plaats over de motor, met het omkastingshendel naar de klepzijde van de pomp gericht. Breng de zes montagebouten en inwendige en uitwendige borgsluitringen aan. Als reparaties aan de pomp nodig zijn, neem dan contact op met een plaatselijk erkend Enerpac servicecentrum.

## 7.4 Motorborstels

Controleer de motorborstels van de elektrische motoren ten minste eens in de twee jaar. Voor pompen in zwaar belaste toepassingen, dient men de borstels ten minste één maal om de zes maanden te controleren.



**GEVAAR:** Om mogelijke elektrische schokken te voorkomen, en voordat er onderhoud aan de borstels wordt uitgevoerd, moet de pomp volledig van de netspanning losgekoppeld zijn.

## 8.0 PROBLEMEN OPLOSSEN (ZIE DIAGRAM)

Het Probleemdiagram is bedoeld als hulp bij het stellen van een diagnose en bij het corrigeren van diverse pompproblemen die zich kunnen voordoen.

Enkel gekwalificeerde hydraulictechnici mogen pompproblemen oplossen of onderhoud plegen aan de pompen. Voor reparatieonderhoud neemt u contact op met uw plaatselijke bevoegde Enerpac Servicecentrum.

### 8.1 Stroomonderbreker (Pompen met datumcode "F" en later)

Indien er zich een elektrische overbelasting voordoet, zal de stroomonderbreker automatisch uitvallen. Na de oorzaak van de overbelasting te hebben opgespoord en te hebben verholpen, dient men de knop van de stroomonderbreker in de reset-positie te duwen.

### 8.2 Zekeringen (Pompen met datumcode "F" en later)

Interne zekeringen beschermen de primaire en secundaire schakelingen van de controletransformator. Indien een zekering springt, dient men de oorzaak op te sporen en te verhelpen. Vervang vervolgens de gesprongen zekering door een nieuwe zekering van de correcte sterkte. Voor de sterkten van zekeringen wordt verwezen naar het Blad met de Herstelonderdelen dat bij uw pompmodel hoort.



**WAARSCHUWING:** Schakel steeds de elektrische voeding uit alvorens zekeringen te vervangen.

## 9.0 TESTSTANDAARDEN

### 9.1 Canadian Standards Association (CSA)

Waar aangegeven, dienen de pompopstellingen te voldoen aan de ontwerp- en testvereisten van de CSA, de Canadian Standards Association (Zie CAN/CSA — C22.2 Nr. 68-92, Motor operated appliances).

### 9.2 Europese Gelijkvormigheid (Conformité Européene - CE)

Waar aangegeven, wordt een Europees Gelijkvormigheidsteken en een CE-productmerkteken voorzien. Deze producten voldoen aan de Europese Normen EN982:1996, EN1050:1998 en EN-ISO-12100-1&2:2003, alsook aan de Europese Richtlijnen 2006/42/EC, 97/23/EC, 2004/108/EC, 2006/95/EC en 97/23/EC.



## PROBLEEMDIAGRAM

Probleem	Mogelijke oorzaak	Oplossing
<p>Pomp start niet.</p> <p>Cilinder schuift niet uit of in.</p>	<p>Geen stroom.</p> <p>Verkeerde spanning.</p> <p>Vloeistofniveau te laag.</p> <p>Inlaatzeef verstopt.</p> <p>Klep in verkeerde stand.</p> <p>Klepstoring.</p>	<p>Controleer voeding.</p> <p>Controleer spanningsspecificaties op pagina 33.</p> <p>Vul reservoir tot juiste peil.</p> <p>Reinig of vervang inlaatzeef.</p> <p>Schakel klep in drukstand.</p> <p>Laat pomp door erkend hydrauliektechnicus repareren.</p>
<p>Cilinder schuift onregelmatig uit en in.</p>	<p>Lucht in systeem.</p> <p>Uitwendig lek in systeem.</p> <p>Inwendig hydraulieklek.</p>	<p>Ontlucht het systeem door het gereedschap open en dicht te draaien totdat het soepel werkt.</p> <p>Dicht lekkende aansluitingen. Vervang alle beschadigde slangen en fittingen.</p> <p>Laat pomp door erkend hydrauliektechnicus repareren.</p>
<p>Pomp blijft niet op druk.</p>	<p>Uitwendig hydraulieklek.</p> <p>Inwendig hydraulieklek.</p>	<p>Dicht lekkende aansluitingen. Vervang alle beschadigde slangen en fittingen.</p> <p>Laat pomp door erkend hydrauliektechnicus repareren.</p>
<p>Te lage vloeistofopbrengst.</p>	<p>Vloeistofniveau te laag.</p> <p>Pomponderdelen lekken.</p> <p>Omloopklep defect.</p> <p>Vloeistofinlaatzeven op zuigerblokken kunnen met deeltjes verstopt zijn.</p>	<p>Vul het reservoir tot het juiste peil.</p> <p>Test ze om lekken op te sporen.</p> <p>Laat pomp door erkend hydrauliektechnicus repareren.</p> <p>Inspecteer inlaatzeven. Spoel verontreiniging uit alle componenten. Vervang alle beschadigde componenten.</p>

### Bombas Elétricas Portáteis de 1/2 HP

L2062 Rev. E 06/11

#### 1.0 INSTRUÇÕES IMPORTANTES NO RECEBIMENTO

Inspecione visualmente todos os componentes verificando se houve avarias durante o transporte. Avarias no transporte não são cobertas pela garantia. Caso haja avarias no transporte, avise o transportador imediatamente. O transportador é responsável por todos os custos de consertos e substituições decorrentes de avarias ocorridas no transporte.

#### SEGURANÇA EM PRIMEIRO LUGAR

#### 2.0 ASSUNTOS DE SEGURANÇA



Leia cuidadosamente todas as instruções, advertências e avisos sobre precaução. Siga todas as recomendações de segurança para evitar lesões pessoais ou danos à propriedade durante a operação do sistema. Enerpac não pode ser responsável por danos ou lesões pessoais resultantes do uso indevido do produto, falta de manutenção ou operação inadequada do produto e/ou sistema. Entre em contato com Enerpac quando houver dúvidas sobre as recomendações de segurança e operações. Se você nunca recebeu treinamento em segurança na hidráulica de alta pressão, consulte o seu distribuidor ou centro de serviço sobre um curso de segurança hidráulica Enerpac.

Falhas no cumprimento das advertências e avisos de precaução podem causar lesões pessoais e avarias ao equipamento.

**PRECAUÇÃO** é usada para indicar a operação correta ou os procedimentos e métodos de manutenção para prevenir o dano, a destruição do equipamento ou outras propriedades.

**ADVERTÊNCIA** indica um perigo potencial que exige procedimentos ou métodos corretivos para evitar lesões pessoais.

**PERIGO** é usado somente quando a ação ou a falta da mesma podem causar lesões sérias ou mesmo a morte.



**ADVERTÊNCIA:** Use equipamentos individuais de proteção quando acionar equipamentos hidráulicos.



**ADVERTÊNCIA:** Mantenha distância de cargas apoiadas por cilindros hidráulicos. Um cilindro, quando utilizado como dispositivo de levantamento, jamais deve ser usado como dispositivo de sustentação de carga. Depois de haver sido levantada ou baixada, a carga deve sempre ser bloqueada mecanicamente.



**ADVERTÊNCIA: USE SOMENTE PEÇAS RÍGIDAS PARA APOIAR AS CARGAS.** Selecione cuidadosamente blocos de madeira ou ferro que sejam capazes de sustentar a carga. Nunca use um cilindro hidráulico como um calço ou espaçador em qualquer aplicação de levantamento ou prensagem.



**PERIGO:** Para evitar lesões pessoais mantenha mãos e pés longe do cilindro e da área de trabalho durante a operação.



**ADVERTÊNCIA:** Não exceda a capacidade do equipamento. Nunca tente levantar uma carga mais pesada que a capacidade do cilindro. Excesso de carga pode causar falhas no equipamento e possíveis lesões pessoais. Os cilindros são projetados para uma pressão máxima de 700 bar [10.000 psi]. Não faça a ligação entre um macaco ou um cilindro com uma bomba com capacidade maior de pressão.



Nunca ajuste uma válvula de alívio com pressão maior que a capacidade de pressão máxima da bomba. Ajustes maiores podem resultar em danos ao equipamento e/ou lesões pessoais.



**ADVERTÊNCIA:** A pressão de operação do sistema não deve exceder a capacidade de pressão do componente de menor capacidade no sistema. Instale manômetros de pressão no sistema para monitorar a pressão de operação. É a sua janela para o que está acontecendo no sistema.



**PRECAUÇÃO:** Evite danificar mangueiras hidráulicas. Evite curvas ou dobras pronunciadas quando direcionar as mangueiras hidráulicas. O uso de uma mangueira curvada ou dobrada causará aumento na pressão de retorno. Curvas ou dobras pronunciadas danificarão a mangueira internamente, levando a um desgaste prematuro.




Não derrube objetos pesados na mangueira. Um forte impacto pode causar danos à trama interna de aço da mangueira. A aplicação de pressão em uma mangueira danificada pode causar a sua ruptura.





**IMPORTANTE:** Não levante o equipamento hidráulico pela mangueira ou pelos engates. Use manoplas ou outros meios mais seguros para o transporte.





**PRECAUÇÃO:** Mantenha o equipamento hidráulico longe do calor e das chamas. O calor excessivo amolece vedações e selos, resultando em vazamento de fluidos. O calor também enfraquece o material das mangueiras e das juntas. Para um desempenho otimizado não exponha o equipamento a temperaturas maiores que 65 °C [150 °F]. Proteja mangueiras e cilindros dos respingos de solda.


 **PERIGO:** Não manuseie mangueiras sob pressão. O vazamento de óleo sob pressão pode penetrar na pele, causando ferimentos graves. Se óleo é injetado na pele, veja um médico imediatamente.


 **AVISO:** Use somente cilindros hidráulicos em sistemas acoplados. Nunca use um cilindro com acopladores desconectados. Caso os cilindros sejam extremamente sobrecarregados, os componentes poderão falhar catastróficamente causando danos pessoais.


 **AVISO: CERTIFIQUE-SE QUE A INSTALAÇÃO SEJA ESTÁVEL ANTES DE LEVANTAR A CARGA.** Os cilindros deverão ser posicionados em uma superfície plana para suportar a carga. Use a base de cilindro para adicionar estabilidade onde aplicável. Não solde e nem modifique o cilindro para fixar a base ou outra fixação.

 **Evite** situações onde as cargas não estejam diretamente centradas no atuador do cilindro. As cargas fora de centro geram esforços consideráveis nos cilindros e atuadores.

 Distribua a carga uniformemente sobre toda a superfície do descanso. Sempre use o descanso para proteger o atuador.

 **IMPORTANTE:** O equipamento hidráulico deve ser consertado somente por um técnico de hidráulica. Para serviços de manutenção, entre em contato com o Centro de Assistência Técnica Autorizada ENERPAC da sua área. Para proteger a garantia, use apenas óleo ENERPAC.

 **AVISO:** Substitua imediatamente as peças danificadas ou gastas por peças genuínas ENERPAC. Peças sobressalentes não originais podem quebrar provocando lesões pessoais e danos materiais. As peças originais ENERPAC são projetadas para se ajustar corretamente e suportar grandes esforços.

 **PRECAUÇÃO:** Antes de ligar o motor elétrico da bomba, verifique sua voltagem e capacidade. O uso de voltagem incorreta causa danos ao motor.

### 3.0 ESPECIFICAÇÕES

	Modelos "B"	Modelos "E"
<b>Pressão de trabalho</b>	0-10,000 psi [700 bar] {70 mPa}	
<b>Fonte de energia elétrica</b>	15 Amp 120 V. aterrado 1Ph. 50/60 Hz	10 A 220 V 1 fase 50/60 Hz
<b>Capacidade nominal do motor</b>	Capacidade nominal do motor 1/2 HP Universal, 9 Amps a 10,000 psi [700 bar] & 12,000 RPM opera em 60-125 Volts 85-89 dBA	37 kW Universal, 4 Amps a 10,000psi [700 bar] {70 mPa} & 12,000 RPM 85-89 dBA
<b>Capacidade nominal de fluxo</b>	200 pol.3 /mpol. [3,3 l/min] a 0-200 psi [0-14 bar] {0-1,4 mPa} 20 pol.3 /mpol. [0,33 l/min] a 10,000 psi [700 bar] {70 mPa}	
<b>Temperatura máx. de operação</b>	150 °F (65 °C)	

Nº do modelo	Usado com o cilindro	Tipo de válvula	Capacidade de óleo utilizável	Peso
PUD-1100B/E	Ação única	Válvula de descarga	122 pol. <sup>3</sup>	31 lbs.
PUD-1101B/E			231 pol. <sup>3</sup>	43 lbs.
PUD-1300B/E	Ação única	Descarga/Sustentação	122 pol. <sup>3</sup>	31 lbs.
PUD-1301B/E			231 pol. <sup>3</sup>	43 lbs.
PUJ-1200B/E	Ação única	3-vias, 2- posições	122 pol. <sup>3</sup>	27 lbs.
PUJ-1201B/E			231 pol. <sup>3</sup>	39 lbs.
PUJ-1400B/E	Ação dupla	4-vias, 3-posições	122 pol. <sup>3</sup>	32 lbs.
PUJ-1401B/E			231 pol. <sup>3</sup>	44 lbs.

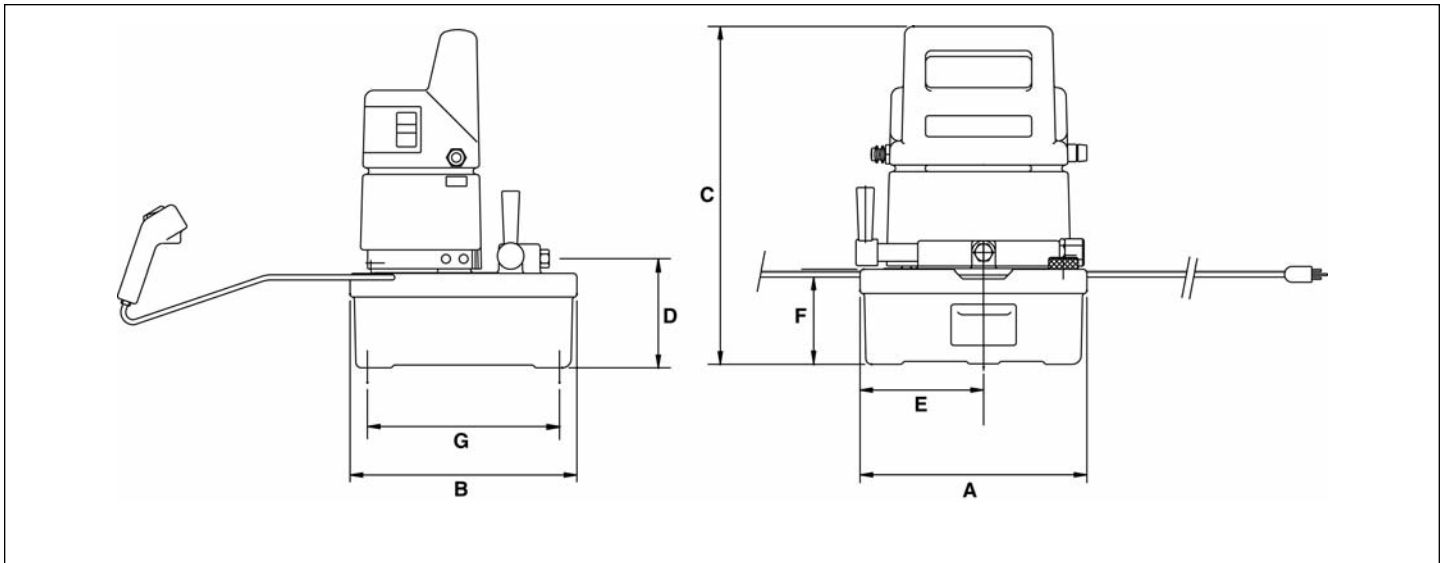


Figura 1

Medidas pol. [cm]								
Modelos	A	B	C	D	E	F	G	H
PUD-1100B/E, PUD-1300B/E, PUJ-1200B/E, PUJ-1400B/E	9.62 [24,43]	9.62 [24,43]	14.25 [36,20]	4.72 [11,99]	5.25 [13,34]	4.00 [10,16]	8.12 [20,62]	.75 [1,90]
PUD-1101B/E, PUD-1300B/E, PUJ-1201B/E, PUJ-1401B/E	12.18 [30,94]	14.50 [36,83]	14.72 [10,54]	5.12 [13,00]	5.62 [14,27]	4.15 [10,54]	12.77 [32,43]	0.62 [1,57]

As medidas "D" para o PUJ-1400B/E é 6.18 pol. [15,7 cm]; no PUJ-1401B/E, é 6.58 pol. [16,7 cm].

## 4.0 INSTALAÇÃO

### 4.1 Conexões hidráulicas

Use 1 1/2 voltas de fita de Teflon (ou selante para rosca) em todas as roscas, deixando o primeiro filete livre para que pedaços não se soltem e contaminem o sistema.



**AVISO:** Para assegurar uma operação adequada, evite dobrar as mangueiras. Se a mangueira ficar trincada ou danificada de qualquer forma, deve ser substituída. As mangueiras danificadas poderão romper-se em alta pressão, assim, causando danos pessoais.

#### PUJ-1200B/E, PUJ-1201B/E Modelos (Figura 2)

1. Remova o bujão de embarque do pórtico (A) do medidor de .250-18 NPT acima da válvula de controle.
2. Instale o medidor de pressão 0-15,000 psi (1035 bar) no pórtico (A) do medidor.
3. Se necessário, rosqueie a mangueira hidráulica do pórtico (B) da válvula de saída de .375-18 NPT.
4. Conecte a linha de retorno rosqueando a mangueira no retorno do pórtico do tanque (C).

#### PUJ-1400B/E, PUJ-1401B/E Modelos (Figura 3)

1. Remova o bujão de embarque da pórtico (D) avançada da válvula. Instale o adaptador do medidor no pórtico avançado (D) de .375-18 NPT.
2. Instale um medidor de pressão de 15,000 psi (1035 bar) no topo do adaptador do pórtico.
3. Instale a mangueira hidráulica na extremidade da saída do medidor (.375-18 NPT). Conecte a mangueira meio acoplamento ao cilindro. Aperte firmemente com a mão. NÃO USE ferramentas para apertar os coplamentos.

4. Caso use um circuito de ação dupla, instale a mangueira no pórtico de retração (E) da válvula de controle. Conecte a conexão da mangueira na conexão de retração do cilindro.

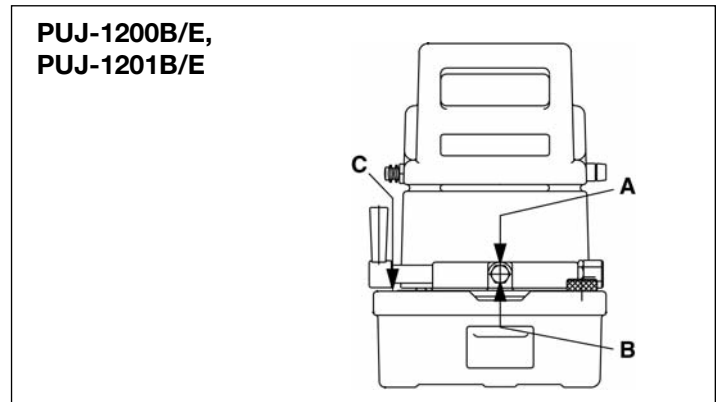


Figura 2

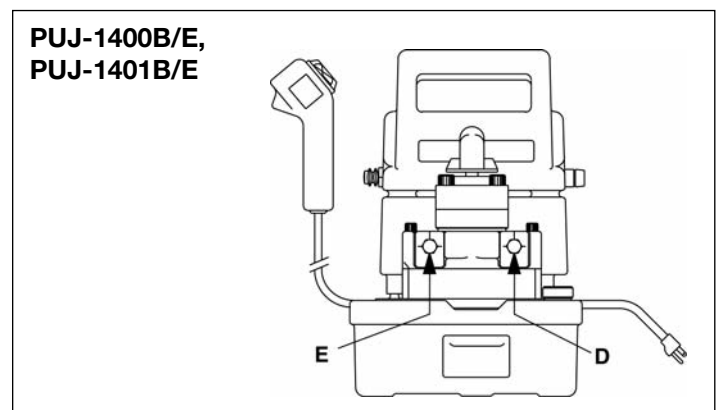


Figura 3

## Modelos PUD1100B/E, PUD-1101B/E, PUD1300B/E e PUD1301B/E

1. A mangueira de ligação entre a bomba e o cilindro é conectada diretamente à conexão de saída (A) da válvula de controle (ver Figura 4).
2. Caso seja necessário monitorar a pressão do sistema através de um manômetro, um adaptador para manômetro deve ser instalado na conexão de saída da válvula (A). Instale um manômetro de pressão de 700 Bar (0-10.000 psi) na conexão de saída do adaptador do manômetro.

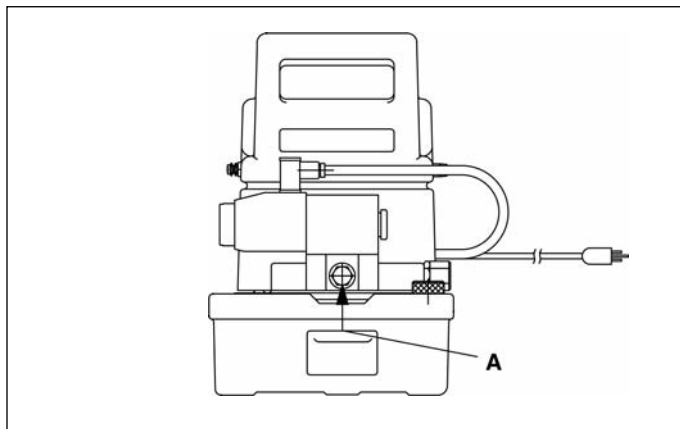


Figura 4

### 4.2 Fixação da válvula (Figura 5)

1. Remova a placa (item D43918098).
2. Verifique que o conector esteja instalado na bomba. Caso não, instale o conector. Cuidada para evitar o cisalhamento dos selos.
3. Fixe a válvula e use cautela para evitar o cisalhamento dos selos.

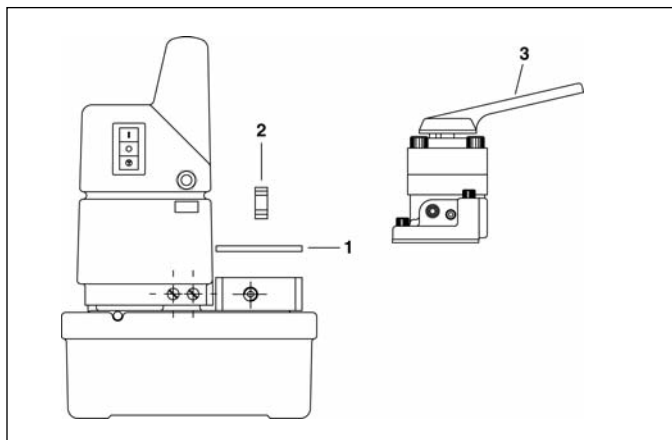


Figura 5

### 4.3 Adicionando óleo (Figura 6)

Verifique o nível de óleo por desaparafusando e removendo o bujão de abastecimento/vent (F). Adicione Óleo Hidráulico Enerpac até que o nível de óleo atinja 1/2 polegada (1 cm) abaixo da abertura de abastecimento/vent.

**IMPORTANTE:** Adicione óleo somente quando todos os componentes do sistema estejam plenamente retraídos, ou então, o sistema terá mais óleo do que o reservatório possa comportar.

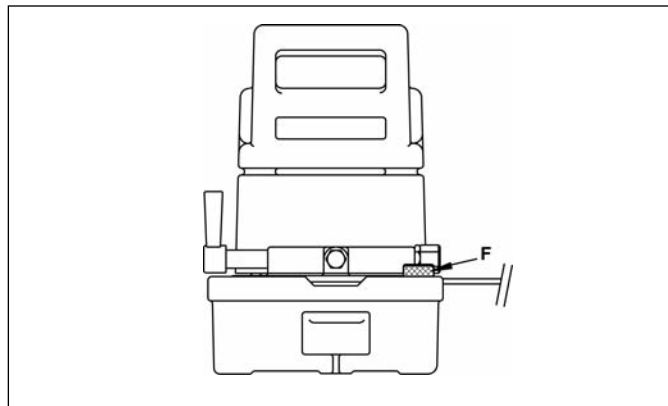


Figura 6

## 5.0 OPERAÇÃO

**NOTA:** Para evitar a perda de energia entre a saída elétrica e o motor da bomba, use o fio de extensão mais curto possível. O motor da bomba funcionará em baixa voltagem, mas a velocidade do motor e o fluxo de óleo serão reduzidos.

1. Verifique todas as conexões do sistema estejam apertadas e livre de vazamento.
2. Verifique o nível de fluido e se necessário, adicione fluido.
3. Abra o bujão do vent (F) da bomba localizado no canto direito frontal do reservatório por girá-lo 1 ou 2 voltas completas.



**PRECAUÇÃO:** O bujão do vent tem que estar aberto quando a bomba estiver rodando.

### 5.1 Chave de Operação (Figura 7)

A versão "B" requer um circuito de 15 amp, 120 V. aterrado 1 Ph. A versão "E" requerer 220 V. 1 Ph. O comprimento do cabo de força da bomba é de 5 pés. [1 1/2 metros].

1. A chave da bomba é localizada do lado da saia. É uma chave de três posições, o dente de cima é "ON", centro é "OFF", e em baixo é momentaneamente ligada "MOM". Pressionando para "ON" ativa-se o circuito elétrico, mas não aciona o motor da bomba. O motor da bomba é ativado através da chave no pingente (G).
2. Pressionando a porção inferior da chave ativa o motor da bomba enquanto a chave estiver segura para baixo. A liberação da chave para a bomba. Esta posição momentânea é usada como alternativa para o controle pendant.

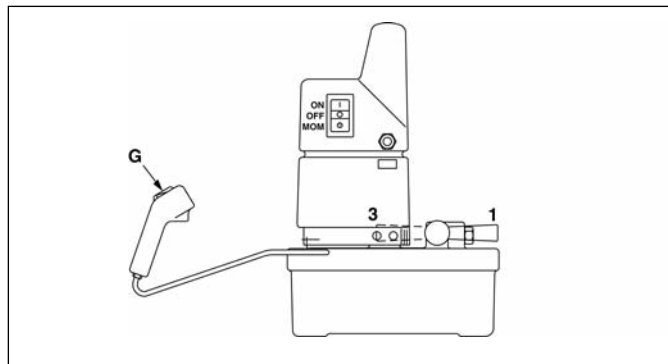


Figura 7

## 5.2 Válvula de controle da bomba

### PUJ-1200B/E and PUJ-1201B/E modelos

A válvula de controle da bomba direciona a saída do fluido hidráulico ou retorna dos componentes do sistema hidráulico. Estes modelos contem válvulas de 3-vias, 2-posicoes. As posições das válvulas são mostradas na Figura 8: 1 - Avançar, 3- Retrair. Para avançar o cilindro, mude a válvula para a posição de avanço (1) e pressione a chave pendente.

O cilindro vai avançar até que a chave do pendente seja liberada.

Para retrainr o cilindro, mude a válvula para a posição de retração (3).

O cilindro vai retrainr se a bomba estiver ou não rodando.

### Modelos PUJ 1400B/E e PUJ-1401B/E (Figura 8)

As válvulas de controle nas bombas PUJ-1400B/E e PUJ-1401B/E são em 4-vias, 3-posições, para o uso em cilindros de ação única onde o avanço e retração são hidraulicamente ativados. As posições das válvulas são mostradas na figura Figura 8: 1-Avanças 2- Retrair 3- Neutro. Em cada posição do movimento do cilindro é controlada por uma chave pendant.

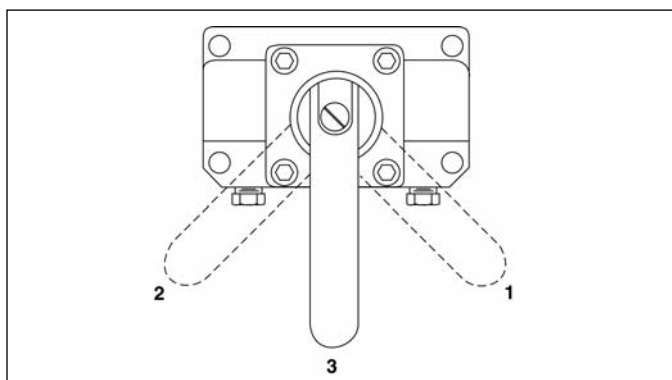


Figura 8

### Modelos PUD-1100B/E e PUD-1101B/E

O PUD-1100B/E e PUD-1101B/E operam cilindros de ação única onde a função de segurar não é necessária. Pressionando a chave da partida ao motor e avança o cilindro. Quando a chave é liberada, o cilindro vai retrainr.

### Modelos PUD1300B/E e PUD1301B/E

As bombas PUD1300B/E e PUD1301B/E acionam cilindros de simples ação quando se necessita a função de sustentação. Pressione o botão de avanço para dar partida na bomba e faça com que o cilindro avance. Liberar o botão de avanço vai fazer com que a bomba pare e haverá sustentação de carga, pelo cilindro, através da válvula. Pressionar o botão de retorno irá mudar a posição da válvula, permitindo o retorno do cilindro.

**NOTA:** Uma vez que o tempo de interrupção do motor pode variar, dependendo das condições da carga, o avanço da carga pode não parar no momento exato em que o botão de avanço é liberado. Pode ocorrer uma pequena movimentação do cilindro, enquanto o motor estiver parando.

## 5.3 Interruptor Térmico (Todos os modelos)

Para proteger a bomba de danos, um interruptor térmico interno desliga o motor, quando a temperatura do óleo atinge 150°F (65°C). Quando a temperatura cai para 130°F (54°C) o interruptor é reiniciado automaticamente.

## 5.4 Remoção de ar

Quando o sistema de ar é conectado pela primeira vez, o ar está preso nos componentes. Para garantir operação normal e segura, remova o ar ao executar o sistema através de varios ciclos completos sem exercer carga nos cilindros. Quando os cilindros avançam e retraem sem hesitação, o ar é ventilado para o sistema.



**AVISO:** para evitar danos pessoais ou ao equipamento, não continue a pressurizar os cilindros após o atingimento to curso máximo ou a pressão de trabalho máxima.

## 6.0 AJUSTAMENTO DA VÁLVULA DE ALIVIO (FIGURA 9)

A válvula de alivio da bomba principal é interna e não ajustável, configurada pela fábrica para a pressão máxima de trabalho de 10,000 psi [700 bar]. Uma válvula de alivio adicional é localizada debaixo de um tampão hex do lado direito da bomba. A válvula de alivio externa é ajustado para 10,000 psi [700 bar] ate para 2000 psi [140 bar]. Os limites da pressão de trabalho podem ser reduzidas abaixo de 10,000 psi [700 bar], mas não acima de 10,000 psi [700 bar]. Os modelos (PUJ-1400B/E e PUJ-1401B/E não são equipados com válvulas de alivio externa.)

1. Instale o medidor como indicado nas instruções de instalação na página 39.
2. Instale o bujão do pórtico de saída da válvula.
3. Remova o tampão hex (**H**) cobrindo o parafuso de ajustamento da válvula de alivio.
4. Usando uma chave Allen, gire o parafuso de ajustamento no sentido anti-horário para uma girada completa.
5. Acione a bomba "ON" e de partida ao motor da bomba, observando o medidor de leitura para a pressão máxima. Pare a bomba.
6. Continue o ajustamento ate que a pressão seja atingida
7. Verifique o ajustamento por rodar a bomba várias vezes. Se o medidor de leitura for o mesmo cada vez, então o ajustamento da válvula esta estável.
8. Reponha o tampão hex para cobrir o parafuso de ajustamento.

**NOTA:** Para atinge o ajustamento mais preciso da válvula de alivio, inicie na pressão baixa e ajuste a válvula de alivio para o ajustamento desejado.

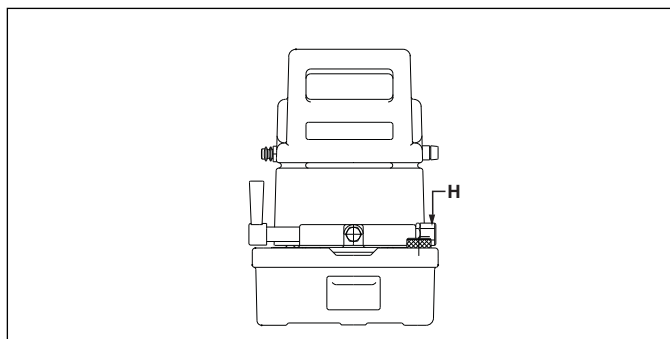


Figura 9



**AVISO** Para evitar danos ao equipamento e pessoais, não exceda a pressão máxima de trabalho de 10,000 psi [700 bar].

## 7.0 MANUTENÇÃO

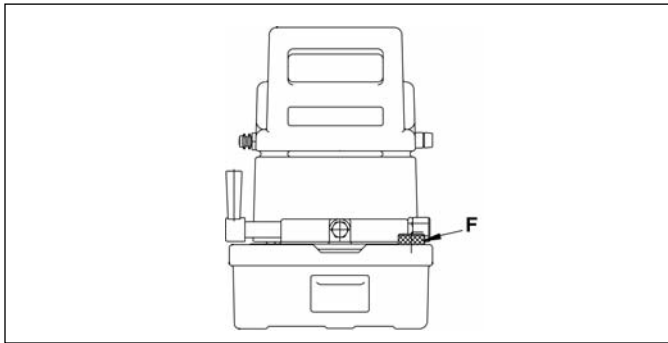
### 7.1 Verificando o nível de óleo

Verifique o nível de óleo hidráulico do reservatório a cada 40 horas de operação. Adicione óleo quando necessário para trazer o nível para 1/2" [1 cm] abaixo da abertura de enchimento. Use somente Óleo Hidráulico Enerpac. O uso de outros óleos ou fluidos poderão danificar o sistema e assim, anular a garantia da Enerpac.

### 7.2 Trocando o óleo (Figura 10)

Drene completamente o reservatório a cada 100 horas de operação. Recarregue com óleo hidráulico novo. Se a bomba for operada em ambientes sujos, ou em altas temperaturas, então recarregue com mais frequência.

1. Para drenar o reservatório, remova o bujão vent/abastecimento (F) do topo do canto direito do reservatório.
2. Incline a bomba até que todo o óleo seja drenado.
3. Recarregue com o óleo novo através da mesma abertura. Capacidade do reservatório é .75 gal. [2,8 l] ou 1.5 gal. [5,7 l] dependendo do modelo.
4. Reponha o bujão de abastecimento (F).



Afbeelding 10

### 7.3 Limpando o reservatório

O reservatório da bomba pode ser removido para limpeza. Se a bomba é usada constantemente em ambientes extremamente sujo, o reservatório deverá ser limpo uma vez por ano.

1. Drene o reservatório como descrito nos passos 1 e 2 no "Trocando o óleo".
2. Remova os seis parafusos segurando o invólucro ao reservatório. Levante o o invólucro para fora do reservatório. O coxim de espuma estará ao redor do motor para prevenir com que os fios elétricos estejam longe do motor. Use PRECAUÇÃO para evitar danos ao puxar as conexões dos fios do terminal.
3. Remova os oito parafusos segurando a bomba no reservatório. Levante a bomba do reservatório e a gaxeta.
4. Limpe bem o reservatório com solvente apropriado.
5. Remonte a bomba e reservatório, instalando uma junta nova. Posicione a saia sobre o motor com o cabo da saia virado para o lado da válvula na bomba. Instale seis parafusos de fixação internas/externas com arruela de trava.

Caso a bomba requeira trabalho de conserto, entre em contato com o Centro autorizado de serviço da Enerpac.

### 7.4 ESCOVAS DO MOTOR

Verifique as escovas do motor elétrico pelo menos uma vez a cada dois anos. Para bombas usadas em aplicações pesadas, verifique as escovas pelo menos uma vez a cada seis meses.



**PERIGO:** Para evitar possível eletrocutamento, a bomba deve estar completamente desligada da energia elétrica, antes que se inicie o conserto da bomba.

## 8.0 SOLUCIONANDO PROBLEMAS (VER TABELA)

Pretende-se que esta Tabela de Soluções de Problemas seja um guia para ajudá-lo no diagnóstico e correção dos vários e possíveis problemas com as bombas.

Somente técnicos qualificados em hidráulica deveriam solucionar problemas e executar os consertos da bomba. Para os serviços de reparo, entre em contato com o Centro de Serviço Autorizado em sua área.

### 8.1 Disjuntor (Bombas com Código de Dados "F" e posteriores)

No caso de uma sobrecarga elétrica, o disjuntor da bomba irá desligar. Depois de investigar e corrigir a causa da sobrecarga, pressione o botão do disjuntor para reiniciar.

### 8.2 Fusíveis (Bombas com Código de Dados "F" e posteriores)

controle do transformador. Se um fusível queima, investigue e corrija a causa da falha. Então, substitua o fusível queimado por um novo, na voltagem correta. Para voltagem de fusíveis, verifique a Folha de Reparos do modelo de sua bomba



**AVISO:** Desligue sempre a energia elétrica, antes de trocar fusíveis.

**Nota:** Fusíveis **não** são usados nas seguintes bombas:

- Bombas fabricadas antes da Data de Código "F".
- Modelos não equipados com controle (todos os códigos de datas).

## 9.0 PADRÕES DE TESTES

### 9.1 Canadian Standards Association (CSA)

Sempre que especificado, as montagens de bomba estão de acordo com as exigências dos projetos de testes e montagem de "CSA", "Canadian Standards Association" (verifique CAN/CSA — C22.2 No. 68-92, "Motor operated appliances.")

### 9.2 Conformidade com a CE

Quando especificado, uma Declaração de Conformidade da CE e é fornecida a marcação CE de produto. Estes produtos estão de acordo com os Padrões Europeus EN982:1996, EN1050:1998 e EN-ISO-12100-1&2:2003, e com as Diretrizes CE 2006/42/EC, 97/23/EC, 2004/108/EC, 2006/95/EC e 97/23/EC.

## TABELA DE SOLUÇÕES DE PROBLEMAS

<b>Problema</b>	<b>Possível causa</b>	<b>Solução</b>
A bomba não da partida.	Não tem energia. Voltagem errada.	Verifique a fonte de energia elétrica. Verifique as especificações de voltagem na página 40.
O cilindro não avança ou retrai.	Nível de fluido baixo. Tela de entrada entupida. Válvula na posição errada. Falha na válvula.	Encha o reservatório para o nível adequado. Limpe ou reponha a tela de entrada. Mude a válvula para a posição de pressão Conserto da bomba por um técnico hidráulico qualificado.
Cilindro avança e retrai a	Ar no sistema.  Vazamento externo no sistema.  Vazamento interno hidráulico.	Remova ar do sistema ciclando. Abertura e fechamento da ferramenta até que a operação seja sem atritos. Aperte as conexões sob vazamento. Reponha qualquer mangueira danificada e conexões Conduza o reparo da bomba por um técnico qualificado em hidráulica.
A bomba falha em manter a pressão.	Vazamento externo hidráulico.  Vazamento interno hidráulico.	Aperte as conexões que estão vazando. Reponha qualquer mangueira danificada e conexões. Conduza o reparo da bomba por um técnico.
Fluido baixo de saída.	Nível baixo de fluido. Os componentes da bomba estão vazando. A válvula de desvio não esta funcionando. As telas de entrada de fluido bloqueia o pistao.	Abasteça o reservatório para o nível adequado. Teste para isolar os vazamentos. Conduza o reparo da bomba por um técnico qualificado em hidráulica. Inspeccione as telas de entrada. Lave se estiver entupida com sujeira Reponha qualquer componente danificado.



L2062 改訂 E 06/11

## 1.0 納品時の重要指示

全ての部品類に運送中の損傷がないか目視で確かめて下さい。運送中の損傷は保証されません。運送中の損傷が見つかった場合、すぐに運送業者に連絡して下さい。運送中に生じた損傷については、運送業者が修理費や交換費を全て負担します。

## 安全第一

### 2.0 安全事項

指示、警告、注意は必ずよくお読みください。


安全注意事項に従って、システム操作中に、人身事故や器物破損が起こらないようにして下さい。エナパックは、不安全な製品の使用、保守の不足、製品及び/又はシステムの不正な操作から生じる損傷や怪我には責任を負いません。安全注意事項及び操作に関して疑問点があれば、エナパックまでお問い合わせ下さい。超高圧油圧の安全に関する訓練を受けたことがない場合、無料のエナパックハイドロリック安全コースについて、担当の販売店又はサービスセンターにお問い合わせ下さい。


以下の注意及び警告に従わない場合、装置破損や人身事故の原因となる恐れがあります。


注意は、装置やその他器物の破損を防止するための、適正な操作や保守手順を示す場合に使われます。


警告は、人身事故を予防するために適正な手順や心得が必要な、潜在的な危険性を示します。

危険は、重傷や死亡事故の原因となる恐れがある、禁止行為又は必須行為を示します。


 **警告：** 油圧装置を操作中は、適正な保護具を着用して下さい。


 **警告：** 油圧によって支える荷物はきれいにしておいて下さい。シリンダを荷揚げのために利用する場合、絶対に荷重保持には使用しないで下さい。荷物を揚げ降ろした後は、必ず機械的なブロック（固定）を施して下さい。


 **警告：** 荷物の保持には、必ず頑丈なものを使用して下さい。荷物を支持可能なスチール製又は木製のブロックを慎重に選んで下さい。どのような荷揚げ又はプレスであっても、油圧シリンダを絶対にシム又はスペーサーとして使用しないで下さい。


 **危険：** 操作中は、人身事故を防止するため、シリンダや作業物から手足を離して下さい。





 **警告：** 装置の定格を超えないようにして下さい。シリンダの能力を超える重量の荷揚げは絶対に行わないで下さい。過荷重は、装置の故障や場合によっては人身事故の原因となります。シリンダに設計されている最大圧力は、80Mpaです。ジャッキやシリンダは、定格で70Mpaを超える圧力のポンプには接続しないで下さい。


 **警告：** リリーフバルブは、ポンプの最大定格圧力以上の高圧に設定しないで下さい。高圧に設定すると、装置の破損及び/又は人身事故の原因となる恐れがあります。


 **警告：** システムの使用圧力は、システム内の最高定格部品の圧力定格を超えないようにして下さい。圧力計をシステムに取り付けて、使用圧力をモニターして下さい。システムの監視は、各自が行って下さい。


 **危険：** 油圧ホースを損傷させないで下さい。油圧ホースは、組込み時に折り曲げたりねじったりしないで下さい。ホースを折れ曲がったりねじれたままにしておくと、ホースの内部が損傷して、早期故障を引き起こします。


 **警告：** ホースの上に重い物を落とさないで下さい。強い衝撃によって、ホース内部のワイヤブレードが損傷する恐れがあります。損傷しているホースに圧力をかけると、破裂する恐れがあります。


 **重要：** 油圧装置は、ホースやスイベルカップラを使って持ち上げないで下さい。安全に移動させるために、キャリングハンドルやその他の手段を用いて下さい。

 **注意：** 油圧装置は、火気や熱源から離して下さい。過熱によって、パッキンやシールが柔らかくなり、油漏れが生じます。また、熱によって、ホース材やパッキンが劣化します。最適な性能を保つには、装置を65°C以上の温度にさらさないで下さい。ホースやシリンダに対する溶接スパッタは避けて下さい。

 **危険：** 加圧されているホースには、触れないで下さい。加圧状態のオイルが漏れて皮膚に浸透すると、重大な人身事故の原因となります。オイルが皮膚下にしみ込んだ場合、すぐに医師の診断を受けて下さい。

 **警告：** 油圧シリンダは、必ず連結システムで使用して下さい。カプラを接続していないシリンダは使用しないで下さい。シリンダは、極度な過荷重を受けると、部品が破壊されて、重大な人身事故の原因となります。

 **警告：** 荷揚げの前に、安定して設置されていることを確かめて下さい。シリンダは、荷物の重量に耐えることができる平面に配置して下さい。適用できる場合は、シリンダベースを使用して、さらに安定性を確保して下さい。シリンダは、ベースやその他の支持物に取り付ける際に、溶接したり変形させないで下さい。

 荷物が直接シリンダプランジャ上の中心に置かれない状態は避けて下さい。偏心荷重は、シリンダとプランジャに相当なひずみを与えます。また、荷物が滑ったり落下して、危険な状況を引き起こす恐れがあります。



荷物はサドル全面に渡って均等に配置して下さい。プランジャを保護するため、必ずサドルを使用して下さい。



**重要：** 油圧装置は、必ず有資格油圧技術者が整備点検を行って下さい。修理サービスについては、最寄のエナパックサービスセンターにお問い合わせ下さい。保証を受けるためには、必ずエナパックオイルを使用して下さい。



**警告：** 磨耗したり損傷した部品は、すぐにエナパックの純正部品と交換して下さい。市販の標準部品は、破損して人身事故や器物破損の原因となる場合があります。エナパック製の部品は、高荷重に適合及び耐えるように設計製造されています。



**注意：** ポンプの電動モーターの損傷を避けるために、仕様を確認してください。誤った電源を使用するとモーターが損傷することがあります。

### 3.0 仕様書

	[B] モデル	[E] モデル
動作圧力	0-70 MPa	
電源：	15 A、120 V、1φアース、50/60 Hz	10 A、220 V、1 φ、50/60 Hz
モータ定格	モータ定格：1/2 HP 汎用、70 MPa および12,000 RPMにて 9 A、 60-125 V 85-89 dBAにて作動	0.37 kW汎用、70 MPa および12,000 RPM 85-89 dBAにて 4 A
流量	0-1.4 Mpa にて3.3 l/min 70 Mpa にて0.33 l/min	
最高作動温度：	65°C	

モデル番号	シリンダとともに使用	バルブタイプ	有効タンク油量	重量
PUD-1100B/E：	単動	ダンプ弁：	2,0 l	14,06 kg
PUD-1101B/E：			3,79 l	19,50 kg
PUD-1300B/E：	単動	中間停止・保持機能あり	2,0 l	14,06 kg
PUD-1301B/E：			2,0 l	19,50 kg
PUJ-1200B/E：	単動	3方手動、2位置：	2,0 l	12,25 kg
PUJ-1201B/E：			3,79 l	17,69 kg
PUJ-1400B/E：	複動	4方手動、3位置：	2,0 l	14,51 kg
PUJ-1401B/E：			3,79 l	19,96 kg

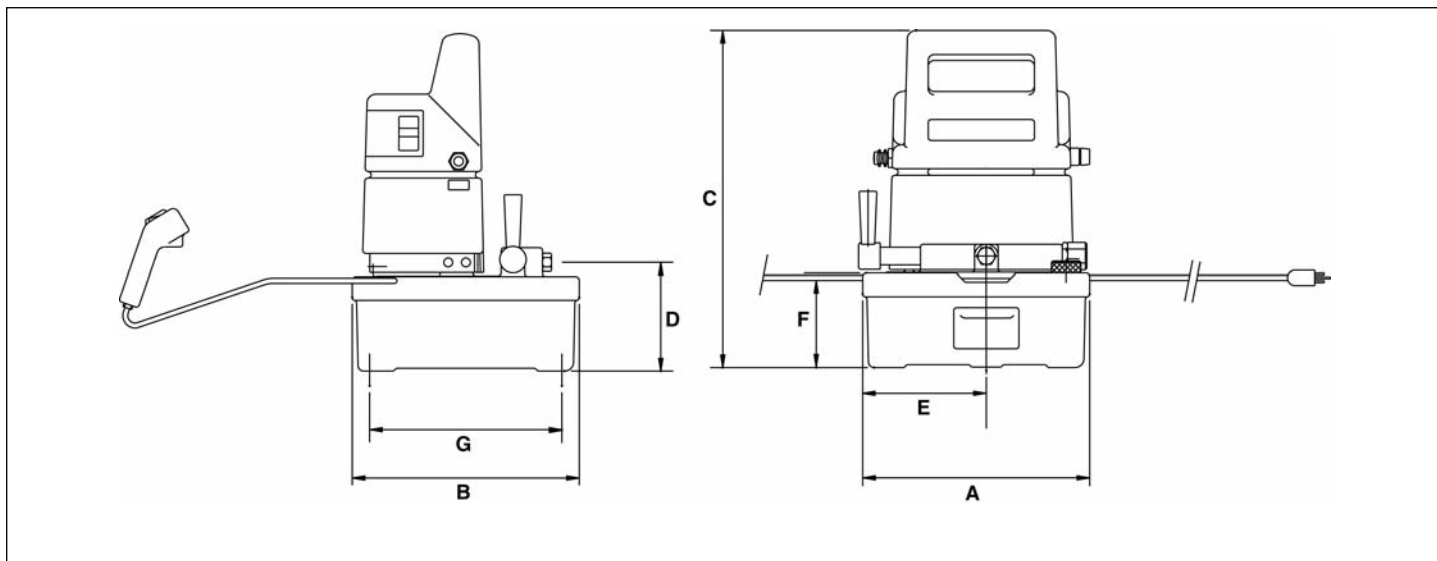


図1

寸法単位 [cm]								
モデル	A	B	C	D	E	F	G	H
PUD-1100B/E, PUD-1300B/E, PUJ-1200B/E, PUJ-1400B/E	24,43	24,43	36,20	11,99	13,34	10,16	20,62	1,90
PUD-1101B/E, PUD-1301B/E, PUJ-1201B/E, PUJ-1401B/E	30,94	36,83	10,54	13,00	14,27	10,54	32,43	1,57

PUJ-1400B/E の寸法「D」は15.7 cm で、PUJ-1401B/Eではそれは 16.7 cm です。

#### 4.0 取付け

##### 4.1 油圧接続口

すべてのネジにテフロンシールテープ（あるいは適切なネジシール材）を1 1/2回巻きます。テープがちぎれてシステム内に入り損傷を引き起こさないようにするため、最初のネジ1山にはテープを巻かないでください。ゆるんだ端を整えます。

**警告：**適切な作動が確保されるように、ホースをねじれたり、曲がり部で引っ張られたりしないようにしてください。ホースがねじれたり損傷を受けた場合は、交換しなければなりません。損傷したホースは高圧力で破裂して、危害をおよぼすことがあります。

PUJ-1200B/E, PUJ-1201B/E モデル (図2)

1. コントロールバルブ上部の1/4-18 NPT ゲージポート(A)から輸送用プラグを取り外します。
2. ゲージポート(A)に0\_100Mpaの圧力計を取り付けます。
3. 必要に応じて、油圧ホースを3/8-18 NPTバルブの吐出口ポート(B)に差し込みます。
4. タンクポート(c) への戻りにホースを差し込んで、戻りラインを接続します。

PUJ-1400B/E, PUJ-1401B/E モデル(図3)

1. バルブの前進ポート (D) から輸送用プラグを取り外します。3/8-18 NPT 前進ポート (D) にゲージアダプタを取り付けます。
2. ゲージアダプタの上部ポート100Mpaの圧力計を取り付けます。
3. ゲージ吐出口アダプタエンドポート(3/8-18 NPT)に油圧ホースを取り付けます。シリンダ前進メスカブラに油圧ホースオスカブラを接続します。メスカブラカラーをしっかり手締めします。メスカブラの締付けに工具を使用してはいけません。
4. 複動回路を使用する場合は、コントロールバルブの戻りポート(E)にホースを取り付けます。シリンダの戻りメスカブラに油圧ホースのオスカブラを接続します。

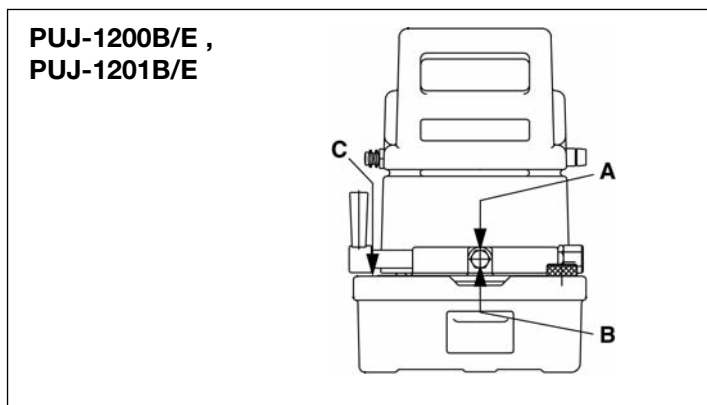


図2

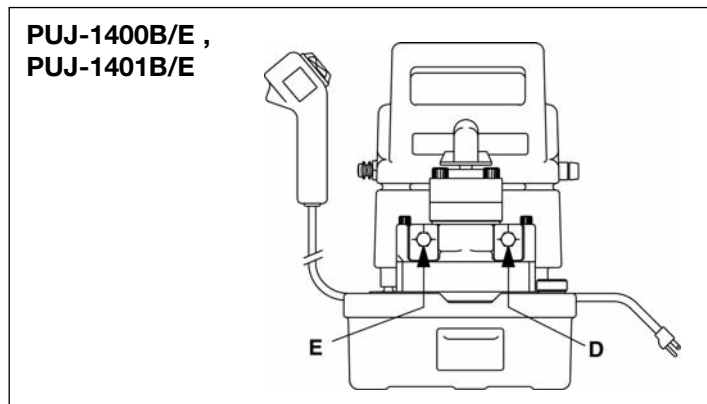
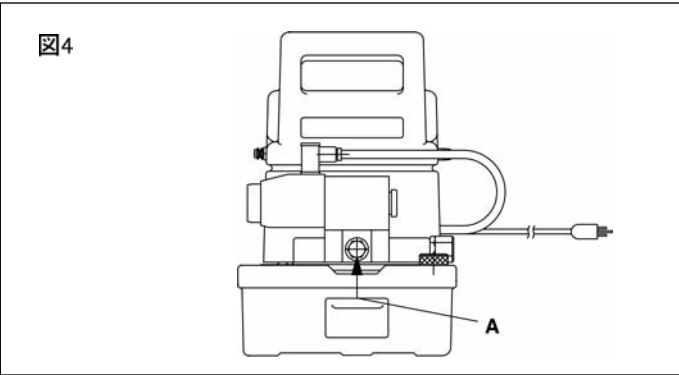


図3

1. 油圧シリンダのホースは、油圧切換弁のAポートに直接接続して下さい。(参照図4)
2. システムの油圧力を確認する場合は、ゲージアダプターをAポートにねじ込んで下さい。次に70MPaの油圧ゲージをゲージアダプターの接続口にねじ込んで下さい。



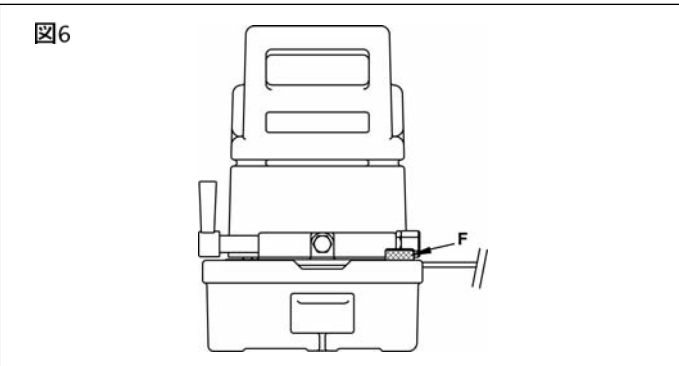
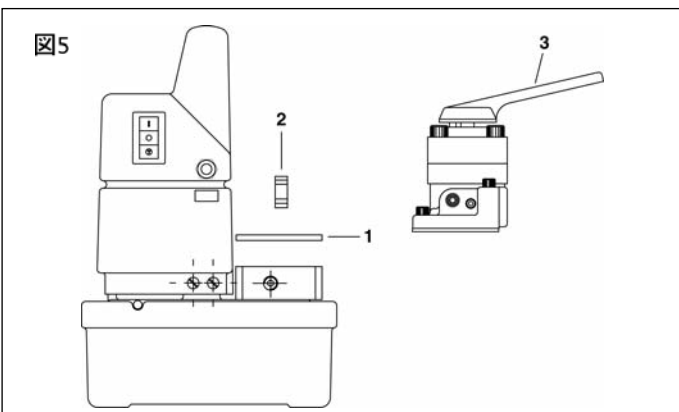
#### 4.2 バルブの取り付け (図5)

1. プレート (部品番号: D43918098) を取り外します。
2. コネクタがポンプに取り付けられていることを確かめます。もし取り付けられていない場合は、シールを切らないように気をつけて、コネクタを取り付けます。
3. シールを切らないように気をつけて、バルブを取り付けます。

#### 4.3 オイルの追加 (図6)

エア抜き/注油プラグ (F) のネジをゆるめて取り外し、オイルレベルをチェックします。オイルレベルがエアイベント/注油開口部の下面1cm になるまでエナバック作動油を追加します。

**重要:** オイルの追加は、すべてのシステム構成部品が完全に戻っている時のみ行ってください。さもなければ、タンク油量以上にシステムにオイルが追加されることになります。



## 5.0 作動

**注意:** コンセントと電動モータ間の電力損失をなくすため、可能な限りコードの長さを短くしてください。ポンプのモータは低電圧で作動すると、モータ速度と流量は低下します。

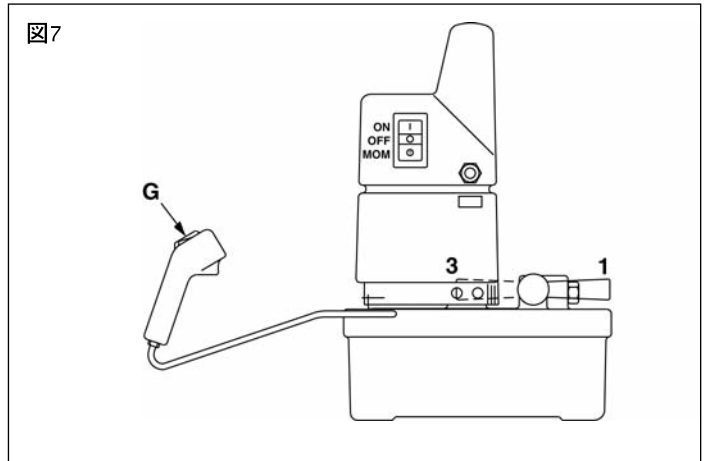
1. システムのすべての継手と接続口をチェックし、締付けが十分に漏れがないことを確かめます。
2. 作動油のレベルをチェックし、必要に応じて追加します。
3. 油タンクの正面右端のポンプエア抜きプラグ (F) を、1-2回転完全に回して開放します。

**注意:** エア抜きプラグは、ポンプの運転中は常に開放しておかなければいけません。

### 5.1 スイッチの作動 (図7)

「B」型には15 A、120 V、1φアース回路が必要です。「E」型は220 V が必要です。ポンプの電源コードの長さは1.5メートルです。

1. ポンプのスイッチはカバーの側面にあります。このスイッチは3位置スイッチで、上部位置で「ON」、真中は「OFF」、下部は寸動の「MOM」になっています。上部の「ON」を押すと電気回路が作動しますが、ポンプモータは作動しません。ポンプモータはリモコンスイッチ (G) により作動します。
2. 下側のスイッチを押すと、押しつづけている間ポンプモータが作動します。スイッチを放すとポンプが停止します。この寸動位置はリモコンスイッチ制御の代用として使用します。



### 5.2 ポンプ制御弁PUJ-1200B/E および PUJ-1201B/Eモデル

ポンプ制御弁は作動油吐出口あるいは油圧システム構成部品からの戻りの方向を制御します。これらのバルブは3方手動2位置弁です。バルブの位置を図8に示します: 1は前進、3は戻りです。シリンダを前進させるにはバルブを前進位置 (1) に切り換え、リモコンスイッチを押します。

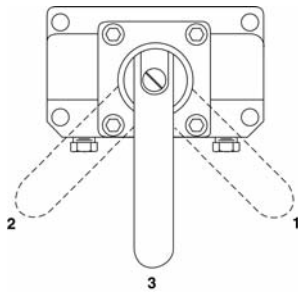
シリンダはリモコンスイッチを放すまで前進します。シリンダを戻すには、バルブを戻り位置 (3) に切り換えます。

シリンダはポンプの運転、停止にかかわらず戻ります。

### PUJ 1400B/E および PUJ-1401B/E モデル (図8)

PUJ-1400B/E および PUJ-1401B/Eポンプの制御弁は4方手動3位置弁で、油圧で前進および戻りを行う複動シリンダとともに使用します。バルブ位置を図8に示します: 1は前進、2は戻り、3は中立です。それぞれの位置でシリンダの動きはリモコンスイッチによりコントロールされます。

図8



#### PUD-1100B/E および PUD-1101B/Eモデル

PUD-1100B/E および PUD-1101B/Eは保持機能が必要のない単動シリンダを操作します。リモコンスイッチを押すとモータが始動し、シリンダが前進します。スイッチを放すと、シリンダは戻ります。

#### PUD1300B/E および PUJ1301B/E型

PUD1300B/EおよびPUD1301B/E型の油圧ポンプは、単動油圧シリンダの作動と負荷を保持することが出来る型式です。付属するリモコンの押し側ボタンを押すと油圧ポンプは作動して、油が吐出しシリンダは伸びます。押し側ボタンから手を放すと、負荷は現位置を保持したまま停止します。リモコンの戻しボタンを押すと油圧シリンダは戻ります。

**注意：**油圧ポンプの停止動作は、リモコン操作によるタイミングとモータの回転が停止するまでにタイムラグがある為、油圧シリンダの停止精度には、若干のオーバーランがあります。

#### 5.3 サーマルスイッチ (全モデル)

ポンプを損傷から守るため、オイルの油温が65°C(150°F)に達すると、内部サーマルスイッチがモーターを停止します。油温が54°C(130°F)まで下がると、スイッチがモーターを自動的に復帰させます。

#### 5.4 エア抜き

油圧システムを最初に接続するときは、構成品の中にはエアが入っています。スムーズで安全な作動を確保するため、シリンダには負荷をかけずに、油圧システムを数回フルサイクルで運転してエアを取り除きます。スムーズにシリンダが前進したり戻ったりすれば、システム中のエアは抜けています。



**警告：**ケガや装置の損傷を防止するため、シリンダが最大限のストロークで圧力をかけ続けたり、最大動作圧力で保持し続けたりしないでください。

#### 6.0 安全弁の調整 (図9)

(PUJ-1400B/E およびPUJ-1401B/Eモデルには外部圧力調整安全弁は装備されていません。) 主ポンプ安全弁は内部組込みで調整できませんが、工場出荷時に最大使用圧力の70 MPa に設定されています。追加外部安全弁はポンプ右側の六角キャップの下側にあります。外部安全弁は14-70 MPaの範囲で調整可能です。最大使用圧力は70 MPa 以下にできますが、70 MPa を超えることはできません。

- 3ページの取付け説明に指示されているようにゲージを取り付けます。
- バルブの吐出口ポートにプラグを取り付けます。
- 安全弁調整ネジをカバーしている六角キャップ (H) を取り外します。
- 六角レンチを使って、調整ネジを反時計方向に1回転回します。
- 圧力計の指す最大圧力を注意深く見ながら、ポンプを ON にしてポンプモータを回します。ポンプを止めます。

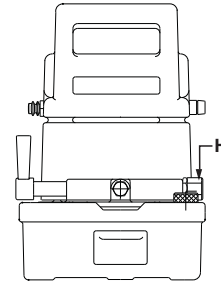
- 希望する圧力が得られるまで設定圧の調整を繰り返します
- ポンプを数回運転して設定値をチェックします。圧力計の指示がいつも同じであれば、バルブ設定は安定しています。六角キャップを調整ネジの上に戻してカバーします。

**注意：**安全弁の設定を最も正確にするには、低めの圧力で始動してから所定の安全弁設定圧になるまで調整します。



**警告：**装置の損傷やケガを防止するため、最大作動圧力が 70 MPa を超えないようにしてください。

図9



#### 7.0 メンテナンス

##### 7.1 作動油レベルのチェック

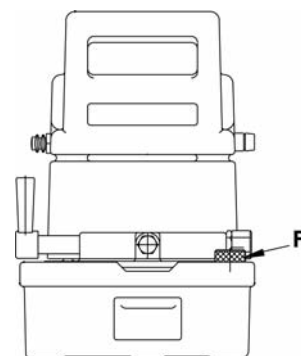
作動中40時間毎に油タンクの作動油レベルをチェックします。作動油のレベルが注油口の1 cm 下になるように、必要に応じて作動油を追加します。エナパック作動油以外は使用しないでください。他の作動油を使用するとシステムが損傷を受け、エナパックの保証が無効になります。

##### 7.2 作動油の交換 (図10)

100時間作動する毎に油タンクの作動油を完全に抜いてください。新しい作動油を充填します。ポンプが大変汚れたり、高温の場所で運転する場合は、排出と充填をもっと頻繁にします。

- 油タンクの作動油を排出するには、油タンク上部右隅のエアバント/注油プラグ (F) を取り外します。
- 古い作動油が排出されるまで、ポンプを傾けます。
- 同じ開口部から新しい作動油を注油します。油タンク容積はモデルによって2.8 L あるいは 5.7 L です。
- 注油プラグ (F) を元に戻します。

図10



### 7.3 油タンクの清掃

ポンプの油タンクは清掃のため取り外すことができます。ポンプが常に極めて汚れた環境で使用されている場合、油タンクは1年毎に製造してください。

1. 「作動油の交換」のステップ1および2に記載されているように油タンクの作動油を排出します。
2. カバーを油タンクに取り付けている6本のネジを取り外します。油タンクからカバーを持ち上げます。発泡樹脂のクッションがモータの周りを包んで電線をモータから引き離しています。電線を損傷したり、端子台から抜いたりしないように気を付けます。
3. ポンプを油タンクに取り付けている8本のネジを取り外します。ポンプを油タンクから持ち上げ、ガスケットを取り外します。
4. 適切な溶剤を使用して油タンクを十分に清掃します。
5. 新しいガスケットを取り付けて、ポンプと油タンクを再組立します。カバーハンドルをポンプのバルブ側に向け、カバーをモータの上に置きます。6本のネジと内/外ロックワッシャを取り付けます。

ポンプに修理が必要な場合は、お近くの認定エナパックサービスセンターまでご連絡ください。

### 7.4 モーターブラシ

電動モーターブラシは、最低限2年毎に1回点検が必要です。ポンプを頻繁に使用する場合は、最低限6ヶ月毎に1回点検してください。



危険：感電事故を防止するため、ブラシの保守を始める前にポンプを電源から完全に切断してください。

### 8.0 トラブルシューティング (図参照)

トラブルシューティングチャートは、ポンプの故障原因を診断して対策を講じる手引きとしての役割を果たします。

故障診断および整備は、必ず資格を持った油圧技術者が行ってください。点検修理については、最寄りの正規 Enerpac サービスセンターにお問い合わせください。

#### 8.1 回路遮断機 (日付コードが「F」およびそれ以降のポンプ)

過負荷の場合、ポンプの回路遮断機が切れます。過負荷の原因を調査して対策を講じた後、回路遮断機ボタンを押してリセットしてください。

#### 8.2 ヒューズ (日付コードが「F」およびそれ以降のポンプ)

内部ヒューズは、制御変圧器の一次および二次回路を保護します。ヒューズが飛んだ場合、その原因を調査して対策を講じてください。その後で、適切な定格の新しいヒューズと交換します。ヒューズの定格については、ご使用のポンプモデルの修理部品表を参照してください。



警告：ヒューズを交換する前に、必ず電源を切ってください。

注意：ヒューズは、以下のポンプには使用されません。

- ・日付コード「F」およびそれ以前に製造されたポンプ
- ・ペンダントが装備されていないモデル (すべての日付コード)。

### 9.0 試験基準

#### 9.1 カナダ規格協会 (CSA)

ポンプの組み立ては、CSA (カナダ規格協会) の設計組み立ておよび試験要件が指定されている場合、それらを満たすものとします (CAN/CSA — C22.2 No. 68-92, Motor operated appliances 参照)。

#### 9.2 EU 認定 (CE)

EC 適合宣言および製品 CE マークが指定されている場合、それらの条件を満たすものとします。製品は、欧州規格 EN982:1996、EN1050:1998、EN-ISO-12100-1&2:2003 および EC 指令 2006/42/EC、97/23/EC、2004/108/EC、2006/95/EC、97/23/EC に準拠しています。

トラブルシューティングチャート

問題	推定原因	処置
ポンプが始動しない。	電源がきていない。 電圧不良。	電源をチェックします。 電圧の仕様をチェックします。電圧不良。
シリンダが前進しない、あるいは戻らない。	作動油のレベルが低い。 注油口スクリーン詰り。 バルブの位置が間違っている。 バルブの故障。	油タンクの適正なレベルまで注油する。 注油口スクリーンを掃除あるいは交換する。 バルブを圧力がかかる位置へ移す。 資格を持った油圧技術者にポンプの修理をしてもらう。
シリンダが出たり引っ込んだりする。	システム内にエアが入っている。 外部油圧システムからの漏れ。 内部作動油の漏れ。	油圧工具を開閉しながら、システムを動かしてエアを取り除く。 漏れのある接続口を締め付ける。 資格を持った油圧技術者にポンプの修理をしてもらう。
ポンプが圧力を維持できない。	外部作動油漏れ。 内部作動油漏れ。	漏れのある接続口を締め付ける。損傷のある油圧ホースを交換する。 資格を持った油圧技術者にポンプの修理をしてもらう。
作動油の吐出量が少ない。	作動油レベルが低い。 ポンプ構成部品が漏れている。 バイパス弁の故障。 ピストンブロックの作動油吸込みスクリーンがゴミで詰っている。	適正なレベルまで給油する。 テストして漏れを切り離す。 資格を持った油圧技術者にポンプの修理をってもらう。 吸込みスクリーンを調べる。すべての構成品の汚れを洗い流す。損傷した構成部品を交換する。



## Enerpac Worldwide Locations

◆ e-mail: [info@enerpac.com](mailto:info@enerpac.com)

◆ internet: [www.enerpac.com](http://www.enerpac.com)

### Australia and New Zealand

Actuant Australia Ltd.  
Block V Unit 3  
Regents Park Estate  
391 Park Road  
Regents Park NSW 2143  
(P.O. Box 261) Australia  
T +61 297 438 988  
F +61 297 438 648  
[sales-au@enerpac.com](mailto:sales-au@enerpac.com)

### Brazil

Power Packer do Brasil Ltda.  
Rua dos Inocentes, 587  
04764-050 - Sao Paulo (SP)  
T +55 11 5687 2211  
F +55 11 5686 5583  
Toll Free: 0800 891 5770  
[vendasbrasil@enerpac.com](mailto:vendasbrasil@enerpac.com)

### Canada

Actuant Canada Corporation  
6615 Ordan Drive, Unit 14-15  
Mississauga, Ontario L5T 1X2  
T +1 905 564 5749  
F +1 905 564 0305  
Toll Free:  
T +1 800 268 4987  
F +1 800 461 2456  
[customer.service@actuant.com](mailto:customer.service@actuant.com)

### China

Actuant (China) Industries Co. Ltd.  
No. 6 Nanjing East Road,  
Taicang Economic Dep Zone  
Jiangsu, China  
T +86 0512 5328 7500  
F +86 0512 5335 9690  
Toll Free: +86 400 885 0369  
[sales-cn@enerpac.com](mailto:sales-cn@enerpac.com)

### France, Switzerland, North Africa and French speaking African countries

ENERPAC  
Une division d'ACTUANT France S.A.S.  
ZA de Courtaboeuf  
32, avenue de la Baltique  
91140 VILLEBON /YVETTE  
France  
T +33 1 60 13 68 68  
F +33 1 69 20 37 50  
[sales-fr@enerpac.com](mailto:sales-fr@enerpac.com)

### Germany and Austria

ENERPAC GmbH  
P.O. Box 300113  
D-40401 Düsseldorf  
Willstätterstrasse 13  
D-40549 Düsseldorf, Germany  
T +49 211 471 490  
F +49 211 471 49 28  
[sales-de@enerpac.com](mailto:sales-de@enerpac.com)

### India

ENERPAC Hydraulics Pvt. Ltd.  
No. 1A, Peenya Industrial Area  
IInd Phase, Bangalore, 560 058, India  
T +91 80 40 792 777  
F +91 80 40 792 792  
[sales-in@enerpac.com](mailto:sales-in@enerpac.com)

### Italy

ENERPAC S.p.A.  
Via Canova 4  
20094 Corsico (Milano)  
T +39 02 4861 111  
F +39 02 4860 1288  
[sales-it@enerpac.com](mailto:sales-it@enerpac.com)

### Japan

Applied Power Japan LTD KK  
Besshocho 85-7  
Kita-ku, Saitama-shi 331-0821, Japan  
T +81 48 662 4911  
F +81 48 662 4955  
[sales-jp@enerpac.com](mailto:sales-jp@enerpac.com)

### Middle East, Egypt and Libya

ENERPAC Middle East FZE  
Office 423, LOB 15  
P.O. Box 18004, Jebel Ali, Dubai  
United Arab Emirates  
T +971 (0)4 8872686  
F +971 (0)4 8872687  
[sales-ua@enerpac.com](mailto:sales-ua@enerpac.com)

### Russia

Rep. office Enerpac  
Russian Federation  
Admirala Makarova Street 8  
125212 Moscow, Russia  
T +7 495 98090 91  
F +7 495 98090 92  
[sales-ru@enerpac.com](mailto:sales-ru@enerpac.com)

### Singapore

Actuant Asia Pte Ltd.  
83 Joo Koon Circle  
Singapore 629109  
T +65 68 63 0611  
F +65 64 84 5669  
Toll Free: +1800 363 7722  
[sales-sg@enerpac.com](mailto:sales-sg@enerpac.com)

### South Korea

Actuant Korea Ltd.  
3Ba 717, Shihwa Industrial Complex  
Jungwang-Dong, Shihung-Shi,  
Kyunggi-Do  
Republic of Korea 429-450  
T +82 31 434 4506  
F +82 31 434 4507  
[sales-kr@enerpac.com](mailto:sales-kr@enerpac.com)

### Spain and Portugal

ENERPAC SPAIN, S.L.  
Avda. Los Frailes, 40 – Nave C & D  
Pol. Ind. Los Frailes  
28814 Daganzo de Arriba  
(Madrid) Spain  
T +34 91 884 86 06  
F +34 91 884 86 11  
[sales-es@enerpac.com](mailto:sales-es@enerpac.com)

### Sweden, Denmark, Norway, Finland and Iceland

Enerpac Scandinavia AB  
Fabriksgatan 7  
412 50 Gothenburg  
Sweden  
T +46 (0) 31 799 0281  
F +46 (0) 31 799 0010  
[scandinavianinquiries@enerpac.com](mailto:scandinavianinquiries@enerpac.com)

### The Netherlands, Belgium, Luxembourg, Central and Eastern Europe, Baltic States, Greece, Turkey and CIS countries

ENERPAC B.V.  
Galvanistraat 115  
6716 AE Ede  
P.O. Box 8097  
6710 AB Ede  
The Netherlands  
T +31 318 535 800  
F +31 318 535 848  
[sales-nl@enerpac.com](mailto:sales-nl@enerpac.com)

### Enerpac Integrated Solutions B.V.

Opaalstraat 44  
7554 TS Hengelo  
P.O. Box 421  
7550 AK Hengelo  
The Netherlands  
T +31 74 242 20 45  
F +31 74 243 03 38  
[integratedsolutions@enerpac.com](mailto:integratedsolutions@enerpac.com)

### South Africa and other English speaking African countries

ENERPAC B.V.  
Galvanistraat 115  
6716 AE Ede  
P.O. Box 8097  
6710 AB Ede  
The Netherlands  
T +31 318 535 911  
F +31 318 525 613  
[sales-za@enerpac.com](mailto:sales-za@enerpac.com)

### United Kingdom and Ireland

ENERPAC Ltd.,  
Bentley Road South  
Darlaston, West Midlands  
WS10 8LQ  
England  
T +44 (0)121 50 50 787  
F +44 (0)121 50 50 799  
[sales-uk@enerpac.com](mailto:sales-uk@enerpac.com)

### USA, Latin America and Caribbean

ENERPAC  
P.O. Box 3241  
Milwaukee WI 53201 USA  
T +1 262 293 1600  
F +1 262 293 7036  
User inquiries:  
+1 800 433 2766  
Distributor inquiries/orders:  
+1 800 558 0530  
+1 800 628 0490  
Technical inquiries:  
[techservices@enerpac.com](mailto:techservices@enerpac.com)  
[sales-us@enerpac.com](mailto:sales-us@enerpac.com)

All Enerpac products are guaranteed  
against defects in workmanship and  
materials for as long as you own them.

For the location of your nearest authorized  
Enerpac Service Center, visit us at  
[www.enerpac.com](http://www.enerpac.com)

040611