

V5.70

MCE-Industrietechnik Linz
 Stützpunkt: ELEKTROTECHNIK
 Tel: +43 (0)732 / 6987 - 73801
 Fax: +43 (0)732 / 6980 - 4434

Kunde : GERÄTETECHNIK WELS
 Anlagenbezeichnung: BAUSTROMVERTEILER, Type: V270/03125
 Zeichnungsnummer : M89.14248-STR
 Kommission : STROMLAUFPLÄNE

Hersteller (Firma): MCE Industrietechnik Linz
 Lunzerstr. 109a
 4031 LINZ

Schaltschränke : BxHxT=1200x1400x500mm

Einspeisung : 3/PEN 400/230V

Zuleitung :

Steuerspannung :

Baujahr : 2009

Fabrikat Verteiler: RITTAL
 Type : TS 8245.500

Installationsort :
 Teilebesonderheit : RAL 5010

Sonderumwelt :

Standort :

Vorschrift : ÖVE-EN1, EN60439-4

Schutzart : IP55

Projekt Beginn : 05. Jun. 2009

Höchste Seitenzahl: 6

Projektverantwortlicher : Mayer

Anzahl der Seiten : 6

Letzte Änderung : 02. Jul. 2009

Letzter Bearbeiter : AUER

THE CONTENT OF THIS DRAWING IS OUR PROPERTY.
 THE DRAWING WAS HANDED OVER TO THE RECEIVER
 FOR PERSONAL USE ONLY AND WITHOUT OUR WRITTEN
 PERMISSION IT MUST NOT BE REPRODUCED OR MADE
 AVAILABLE TO ANY THIRD PARTIES.
 ANY INFRINGEMENT WILL BE PROSECUTED.

DATE 05. Jun. 2009

DRAWN Auer

DESIGNED Auer

CHECKED Mayer

LAST EDIT 02. Jul. 2009

TITLE:

GERÄTETECHNIK WELS

Baustromverteiler, Type: V270/03125

Projektdatenblatt

MCE
 INDUSTRIE
 TECHNIK

=

+

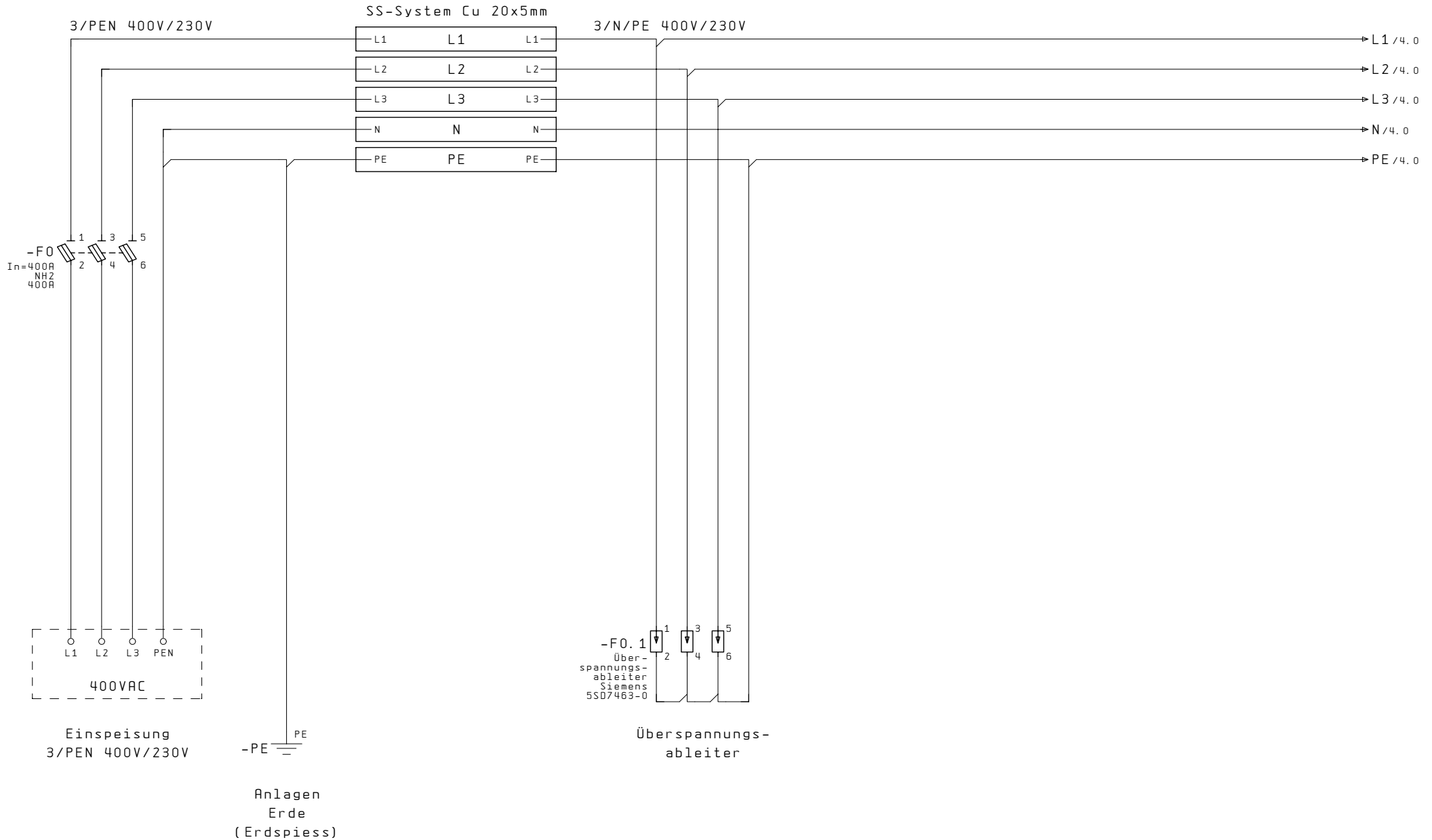
DRAWING No.:

M89.14248-STR

REV.

SHEET: 1

OF: 6

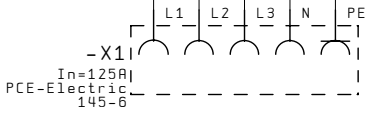
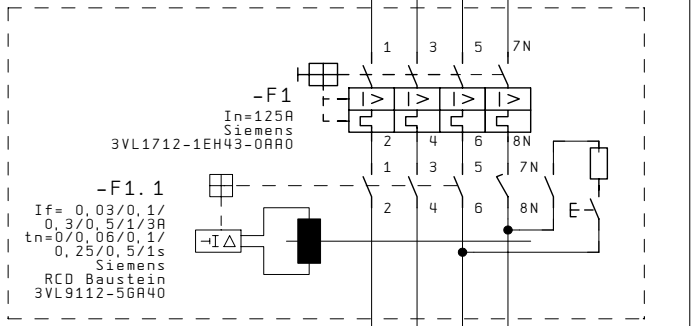
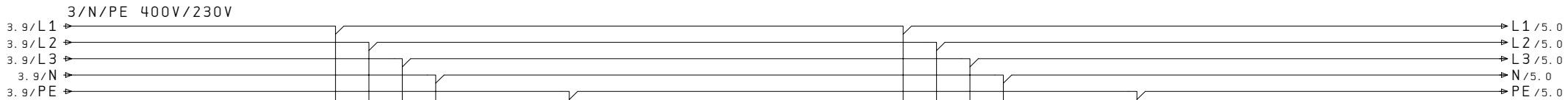


THE CONTENT OF THIS DRAWING IS OUR PROPERTY. THE DRAWING WAS HANDED OVER TO THE RECEIVER FOR PERSONAL USE ONLY AND WITHOUT OUR WRITTEN PERMISSION IT MUST NOT BE REPRODUCED OR MADE AVAILABLE TO ANY THIRD PARTIES. ANY INFRINGEMENT WILL BE PROSECUTED.				DATE	05. Jun. 2009
REV.	REVISION	DATE	NAME	CHECKED	Mayer
				LAST EDIT	02. Jul. 2009

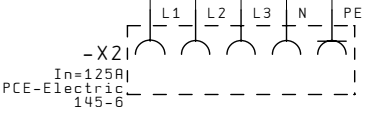
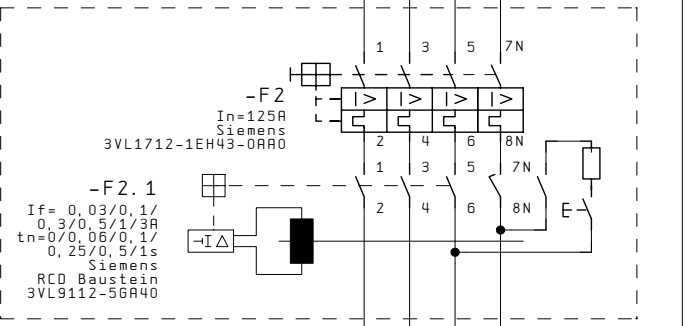
TITLE:	GERÄTETECHNIK WELS
	Baustromverteiler, Type: V270/03125
	Einspeisung



=	+
DRAWING No.:	REV.
M89.14248-STR	
SHEET: 3	OF: 6



CEE-Steckdose
 400V/125A
 5pol.



CEE-Steckdose
 400V/125A
 5pol.

THE CONTENT OF THIS DRAWING IS OUR PROPERTY. THE DRAWING WAS HANDED OVER TO THE RECEIVER FOR PERSONAL USE ONLY AND WITHOUT OUR WRITTEN PERMISSION IT MUST NOT BE REPRODUCED OR MADE AVAILABLE TO ANY THIRD PARTIES. ANY INFRINGEMENT WILL BE PROSECUTED.				DATE	05. Jun. 2009
REV.	REVISION	DATE	NAME	CHECKED	Mayer
				LAST EDIT	02. Jul. 2009

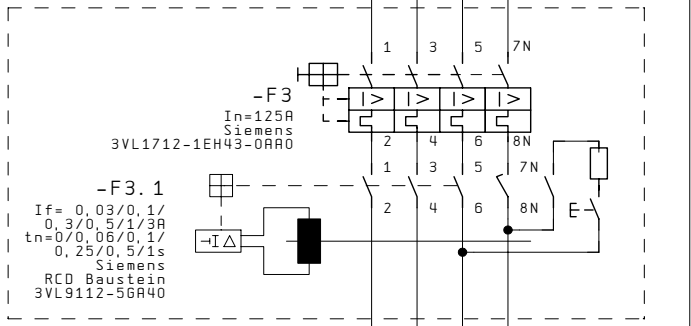
TITLE:	GERÄTETECHNIK WELS
	Baustromverteiler, Type: V270/03125
	Abgang 1 und 2 für CEE-Steckdosen In=125A



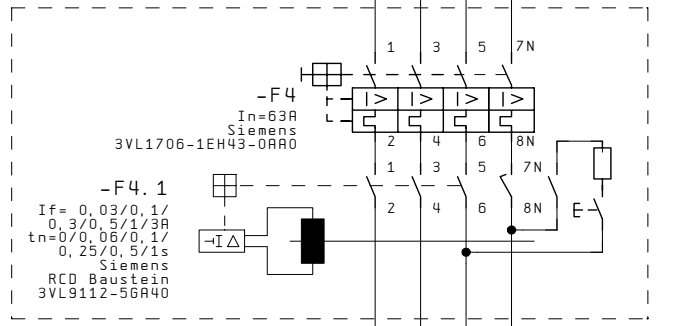
=	+
DRAWING No.:	REV.
M89.14248-STR	
SHEET: 4	OF: 6

3/N/PE 400V/230V

4.9/L1 → L1 /6.0
 4.9/L2 → L2 /6.0
 4.9/L3 → L3 /6.0
 4.9/N → N /6.0
 4.9/PE → PE /6.0



CEE-Steckdose
 400V/125A
 5pol.

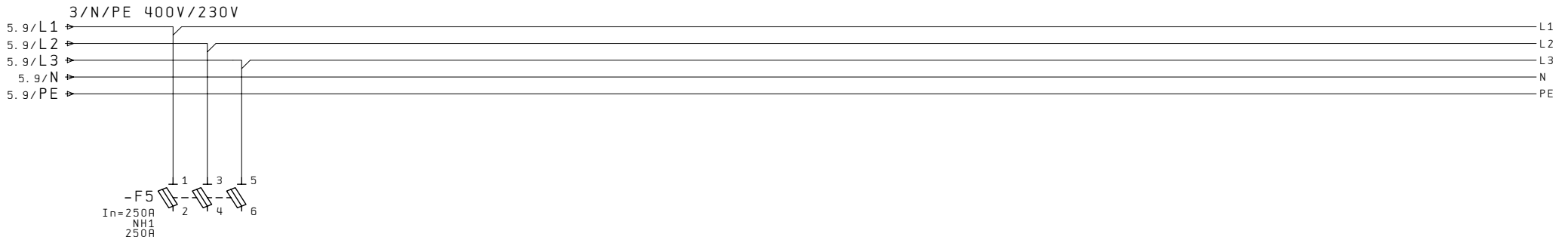


CEE-Steckdose
 400V/63A
 5pol.

THE CONTENT OF THIS DRAWING IS OUR PROPERTY. THE DRAWING WAS HANDED OVER TO THE RECEIVER FOR PERSONAL USE ONLY AND WITHOUT OUR WRITTEN PERMISSION IT MUST NOT BE REPRODUCED OR MADE AVAILABLE TO ANY THIRD PARTIES. ANY INFRINGEMENT WILL BE PROSECUTED.				DATE	05. Jun. 2009	TITLE: GERÄTETECHNIK WELS Baustromverteiler, Type: V270/03125 Abgang 3 für CEE-Steckdose In=125A Abgang 4 für CEE-Steckdose In=63A
REV.	REVISION	DATE	NAME	DRAWN	Auer	
				DESIGNED	Auer	
				CHECKED	Mayer	
				LAST EDIT	02. Jul. 2009	



=	+
DRAWING No.:	REV.
M89.14248-STR	
SHEET: 5	OF: 6



Abgang
NH-Trenner 1

THE CONTENT OF THIS DRAWING IS OUR PROPERTY. THE DRAWING WAS HANDED OVER TO THE RECEIVER FOR PERSONAL USE ONLY AND WITHOUT OUR WRITTEN PERMISSION IT MUST NOT BE REPRODUCED OR MADE AVAILABLE TO ANY THIRD PARTIES. ANY INFRINGEMENT WILL BE PROSECUTED.				DATE	05. Jun. 2009
REV.	REVISION	DATE	NAME	CHECKED	Mayer
				LAST EDIT	02. Jul. 2009

TITLE:	GERÄTETECHNIK WELS
	Baustromverteiler, Type: V270/03125
	Abgang NH-Trenner 1



=	+
DRAWING No. :	REV.
M89.14248-STR	
SHEET: 6	OF: 6