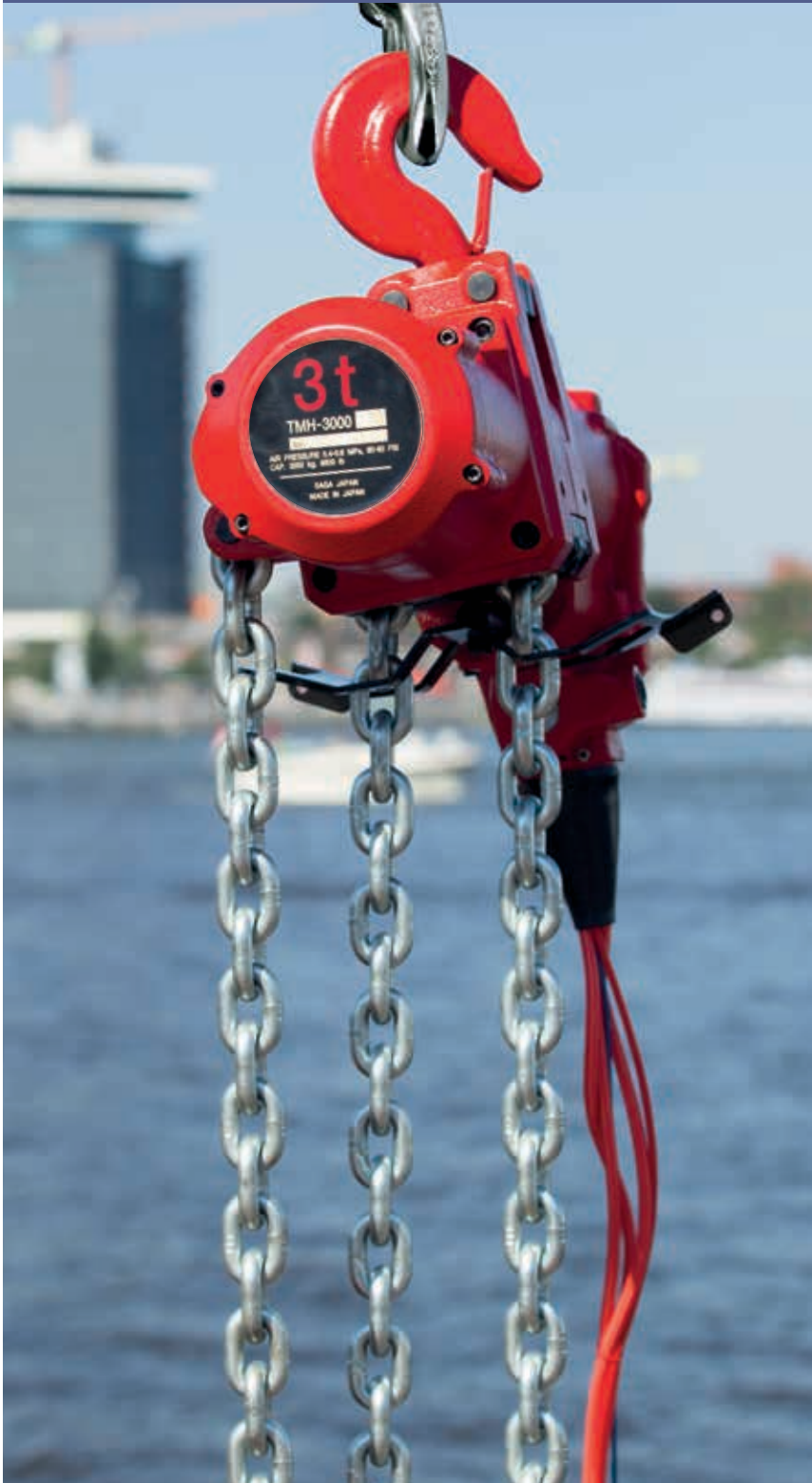


RED ROOSTER AIR CHAIN HOISTS

AIR CHAIN HOISTS 0,125 - 100 TONNE
COMPACT, POWERFUL AND SAFE

www.rami-yokota.com



Pneumatic hoists

Pneumatic trolleys

Push and geared trolleys

Low headroom hoists

Special designs

Accessories

Air supply systems

Radio remote control
systems

Air Winches 0,2 - 3,5 tonne

Useful conversions



Content

	PAGE
SECTION 1	
Introduction.....	3
Pneumatic hoists.....	4
Pneumatic trolleys.....	5
Push and geared trolleys.....	6
Optional features and certification.....	7
Cross hauling with RED ROOSTER hoists.....	8
Paint systems.....	9
SECTION 2	
Rentals.....	10
SECTION 3	
ATEX.....	12
SECTION 4	
Pneumatic hoists.....	17
Material handling hoists.....	18
Mini chain hoists.....	20
High speed hoists.....	22
Pneumatic chain hoists.....	23
SECTION 5	
Pneumatic hoist & trolley range.....	33
SECTION 6	
Pneumatic low headroom hoist & trolley range.....	45
SECTION 7	
Special designs.....	52
SECTION 8	
Accessories.....	60
SECTION 9	
Air supply systems.....	66
SECTION 10	
Radio remote control.....	68
SECTION 11	
Air Winches 0,2-35 tonnes.....	69
SECTION 12	
Useful conversions.....	87



SECTION 1

PNEUMATIC HOISTS

Introduction

With the RED ROOSTER Air Hoists we specialise in the sale, rental and repair of air powered hoists, trolleys and winches. Our pneumatic hoists with safe working loads ranging from 125kg to 100 tonne are conform with the EC Machinery Directive and the European Standard for hoists BS EN 14492-2. All of our hoist parts are manufactured in either Japan or Europe, controlled under the ISO 9001: 2008 quality control system.

The RED ROOSTER TMM, TCR, TCS, TNC AND TMH series pneumatic hoists offer a comprehensive range of hoists suited for all types of industrial and marine environments. For use in areas where there is a risk of explosion due to

flammable gases or dust, we can offer a range of ATEX classifications to suit your requirements (see ATEX section on page 16). With safety the number one priority, RED ROOSTER hoists have been used and tested for the past 25 years. Where engineers and operators require a hoist fit for purpose, easily controlled and maintained, with readily available spare parts, you'll find RED ROOSTER hoists. We have the perfect lifting solution for where the duty is high, or where a robust hoist is required to withstand harsh conditions. As standard, RED ROOSTER hoists are able to work within a temperature range of -10°C to +70°C, with some slight modifications we can make the hoists suitable to use at -20°C.

Features

- TOKU high quality vane motor and planetary, gearbox with long life grease
- Overload protection
- High strength cast steel housing for durability
- Compact and lightweight for easy handling
- Extended duty cycles and frequent reversals
- Variable speed for raising and lowering accurately
- Alloy steel hooks with safety catches (Bottom hook fitted with thrust bearing for easy operation)
- Adjustable load limiter (Not for TMM, TCR Mini or TCS)
- Failsafe automatic disk brake (fully enclosed) ensures the load cannot fall if power is lost
- Emergency stop
- Mechanical upper and lower hoist limits
- Lifting heights to meet your needs
- Choice of cord, pendant control or control systems
- Low noise level down to 80 dB (Silencer and filter easily changed)
- Low air consumption (TCR and TMH model)
- Air pressure from 4.5 to 6 Bar (7 Bar maximum)
- Durable in harsh environments
- Self cooling air motor with the exhaust over the motor
- Low maintenance
- Easily available spares at the right conditions
- Hoist body manufactured in Japan, all other parts in Europe
- High quality calibrated load chain of European/ Japanese manufacture with 5:1 FOS
- High speed (TCS model)
- Special designed hoists and trolleys
- Ex classification to EC directive 94/9/EC (ATEX models)
- Various paint specifications and colours

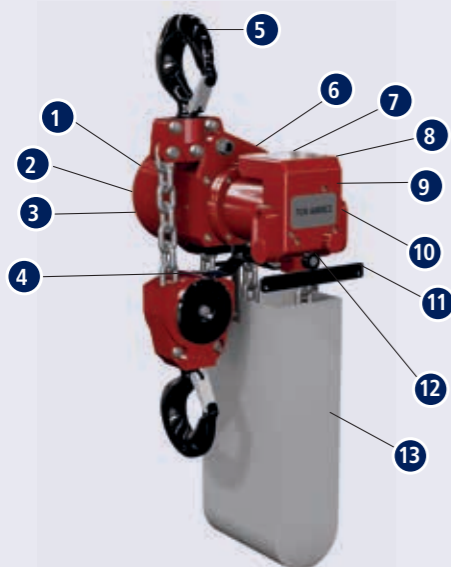
Used in various industries

Offshore oil industry, assembly lines, power plants, refineries, mechanical engineering, shipyards, foundries, oil storage and many other industries.



Model	WLL (kg)	Chain falls	Air consumption (l/sec)		Full load lifting speed (m/min)	Minimum hose dia (I/D)	Page
			Raising	Lowering			
TCR-125	125	1	15	16	14	0,5"	20
TMM-140AE	140	1	10,5	10,8	9,3	11"	18
TCR-250ME	250	1	11,7	13,3	8	0,5"	19
TCR-250	250	1	15	16	9,3	0,5"	21
TCR-600250	250	1	25	27	10,5	0,5"	23
TCR-500	500	1	25	27	10,5	0,5"	23
TCR-500/2	500	2	15	16	4,6	0,5"	23
TCS-500	500	1	28	33	17	0,5"	22
TCS-980	980	2	28	33	8,5	0,5"	22
TCR-1000/2	1.000	2	25	27	5,3	0,5"	23
TCR-1000	1.000	1	25	28	6	0,5"	24
TCR-2000/2	2.000	2	25	30	3	0,5"	24
TCR-3000	3.000	1	33	43	2,8	0,75"	25
TMH-3000	3.000	1	64	78	5,5	1"	27
TCR-6000/2	6.000	2	33	43	1,4	0,75"	25
TMH-6000/2	6.000	2	64	78	2,7	1"	27
TCR-9000/3	9.000	3	33	43	0,9	0,75"	26
TMH-9000/3	9.000	3	64	78	1,8	1"	27
TNC-10TW	10.000	2	90	100	1,5	1"	27
TCR-12000/4	12.000	4	33	43	0,7	0,75"	26
TMH-12000/4	12.000	4	64	78	1,4	1"	27
TCR-15000/5	15.000	5	33	43	0,6	0,75"	26
TMH-15000/5	15.000	5	64	78	1,1	1"	27
TNC-15TW/3	15.000	3	90	100	1	1"	28
TNC-20TW/4	20.000	4	90	100	0,75	1"	28
TNC-25TW	25.000	2	90	100	0,6	1"	29
TNC-37.5TW/3	37.500	3	90	100	0,35	1"	29
TNC-50TW/4	50.000	4	90	100	0,3	1"	30
TNC-75TW/6	75.000	6	2x90	2x100	0,35	1"	30

Pneumatic Hoist



1. All steel construction (Alluminium body for TCR mini and TCS)
2. Planetary gear box
3. Failsafe automatic disk brake
4. Upper and lower limit switches
5. Hook options
6. Various paint options - standard to full offshore specification
7. Low noise emissions and self cooling exhaust
8. Low air consumption
9. Overload protection (Not TCR mini, TMM or TCS)
10. Spring loaded vane motor
11. Cord or range of pendant control
12. Built in emergency stop valve on pendant model
13. Chain bag or bucket

The RED ROOSTER range of trolleys is designed to match our range of pneumatic hoists, with capacities from 250 kg to 50 tonne, but they are easily adapted to be used with other manufacturers hoists. The trolleys are designed to work on a wide range of beam sizes and beam types, with

parallel or tapered flanges. The trolley can either have a lifting lug to hook in the hoist or be built in using a link plate. The versatile design and interchangeable parts can be used on a range of geared, low headroom, articulated and overhead crane units.

Model*	WLL (kg)	No. of wheels	No. of driven wheels	Min. bend radius (m)	Min. hose dia (I/D)	Air consumption	Speed (m/min)*		
							A*	B*	C*
AT2S	Up to 2.000	4	2	1.5	0,5"	25 l/sec	9	6	12
AT3S	3.000	4	2	2	0,75"	25 l/sec	6	6	12
AT6S	6.000	4	2	2.5	0,75"	25 l/sec	6	6	12
AT10S	9.000 / 10.000 / 12.000	4	2	2.5	1"	50 l/sec	8	8	-
AT15S	15.000	4	2	3	1"	50 l/sec	6	6	-
AT25S	20.000	4	2	3	1"	50 l/sec	4	4	-
AT25S	25.000	4	2	3	1"	50 l/sec	4	4	-
AT25-2S	25.000	8	4	Straight	1" / 1,25"	100 l/sec	6	6	-
AT37.5-2S	35.000	8	4	Straight	1" / 1,25"	100 l/sec	4	4	-
AT50-2S	50.000	8	4	Straight	1" / 1,25"	100 l/sec	4	4	-

* AT...S = standard, AT...ATX = ATEX / Other trolley speeds available on request

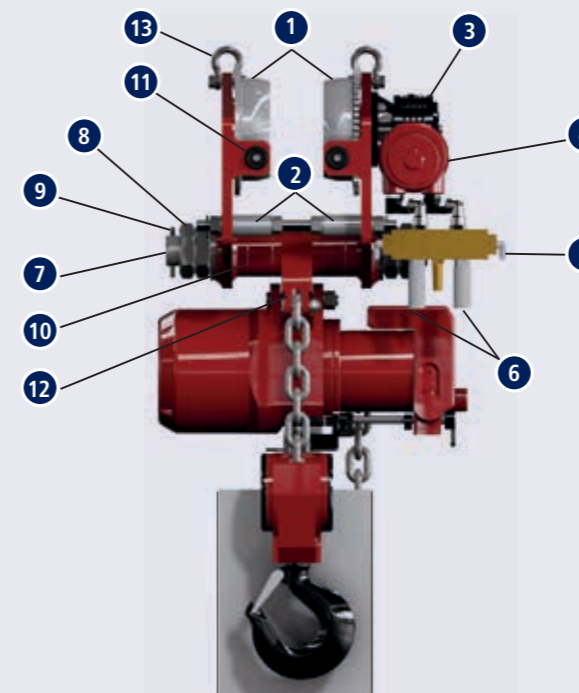
* A = standard, B = ATEX, C = optional

Type	Model
Low Headroom	LHR
Ultra Low Headroom	ULH
Articulated	ART
Rack & Pinion	RP

With our vast experience, in house design and manufacturing facilities, we can also offer a range of special trolleys. We can modify existing products or design to produce a custom made solution.

For all pneumatic trolleys	
Standard trolley temperature	-10°C to +50°C
Optional trolley temperature	-20°C to +70°C
Air pressure	6 Bar / 90 PSI
Wheel material	Steel / Bronze

Pneumatic Trolley

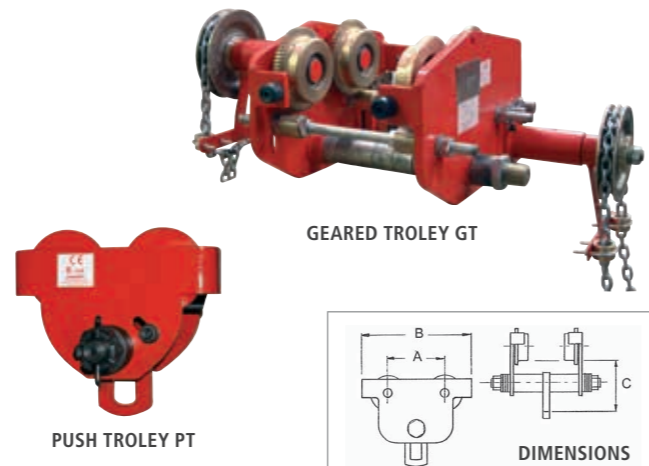


1. Trolley wheels with sealed bearings (to suit flat or tapered beams)
2. Anti tilt rollers (can be set to suit flange)
3. Gear box (self locking)
4. Air motor
5. Control valve
6. Silencers (low noise levels)
7. Load bar (wide range to suit beam)
8. Lock nuts
9. Split pin
10. Adjusting spacers / washers (for easy adjustment)
11. Rubber buffers (standard on ATEX units)
12. Link plate (to suit all RED ROOSTER hoists)
13. Lift points in side plates for shackles

STANDARD PUSH AND GEARED TROLLEYS 250 KG TO 3 TONNE

Designed to operate with our range of pneumatic hoists our standard push and geared trolleys are easily adapted to be used with other manufacturers hoists or as part of a travelling system.

The trolleys are designed to work on a wide range of beam sizes and beam types, with parallel or tapered flanges. The trolley can either have a lifting lug to hook in the hoist or be built in using a link plate. The versatile design and interchangeable parts can be used on a range of geared, low headroom, articulated and overhead crane units.



Push trolleys PT

Model	Capacity (kg)	Range 1	Service	Dimensions A	Dimensions B	Dimensions C	Min. band radius	Weight push
TSP005/010	250 to 1.000	58 - 163 mm	Standard	112	182	106	1,3	8
TSP020	2.000	82 - 204 mm	Standard	131	280	129	1,5	14
TSP030	3.000	82 - 204 mm	Standard	152	324	169	1,7	23

Trolleys supplied for Hook In as standard / Link plate to build in optional

PT/2/R1-ATEX	250 to 1.000	58 - 163 mm	ATEX	131	280	129	1,5	14
PT/2/R2-ATEX	250 to 1.000	163 - 305 mm	ATEX	131	280	129	1,5	14
PT/3/R1-ATEX	3.000	100 - 204 mm	ATEX	152	324	169	1,7	23
PT/3/R2-ATEX	3.000	204 - 305 mm	ATEX	152	324	169	1,7	23

Trolleys supplied for Hook In as standard / Link plate to build in optional

Geared trolleys GT

Model	Capacity (kg)	Range	Service	Dimensions A	Dimensions B	Dimensions C	Min. band radius	Weight geared
TSG010	250 to 1.000	58 - 163 mm	Standard	112	182	106	1,3	12
TSG020	2.000	82 - 204 mm	Standard	131	280	129	1,5	19
TSG030	3.000	82 - 204 mm	Standard	152	324	169	1,7	27

Link plate to build in optional

GT/2/R1-ATEX	250 to 1.000	58 - 163 mm	ATEX	131	280	129	1,5	19
GT/2/R2-ATEX	250 to 1.000	163 - 305 mm	ATEX	131	280	129	1,5	19
GT/3/R1-ATEX	3.000	100 - 204 mm	ATEX	152	324	169	1,7	27
GT/3/R2-ATEX	3.000	204 - 305 mm	ATEX	152	324	169	1,7	27

Link plate to build in optional

Features

- Good load to weight ratio
- Wheels profiled to run on parallel or tapered beams
- Steel or bronze wheels
- Sealed heavy duty bearings
- Anti drop plates
- Anti tilt rollers
- Easy to install
- Operates on curved beams, see specification for minimum radius
- Easily available spare parts at the right conditions
- Manufactured in the UK with EU motor gearbox
- Flange width up to 305 mm

Extra Features/Special designs

- Anti collision bumpers
- Larger capacities available
- Rack and Pinion drive (geared)
- Special paint systems
- Special design to fit any beam
- Parking brake
- ATEX specification cat. IIB & IIC

OPTIONAL FEATURES AND CERTIFICATION

Every RED ROOSTER product is subject to the most rigorous examination and test prior to dispatch. Our testing facilities allow us to carry out dynamic testing up to 65 tonne with static testing up to 400 tonne.

We are specialists in the repair of our own and other manufacturer's hoists. After inspection, a report and

quotation is issued to enable the customer to decide on the viability of the repair. Once authorized by the customer the repair is dealt with promptly and efficiently to ensure a speedy return.

The company has been certified by BSI to ISO 9001: 2008 for quality.

Optional features

- Marine Specification/Corrosion resistant
- Paint systems from C2 - Industrial to C5 - Offshore specification (Red finish as standard. Other RAL colours available on request)
- Choice of pendants
- Radio control pendant for electro pneumatic controls
- Control systems
- Chain collectors (PVC, galvanised or stainless steel)
- Various types of hook or clevis available
- Air supply systems and valves
- Piped away exhaust air
- In house design for "specials"
- Festoon systems
- Main air shut off valve

ATEX - According to EC Directive 94/9/EC (Ex Classification)

- Marine Specification/Corrosion
- Standard hoists are suitable for use in areas certified as Group II 3 GD c IIA T4 (135°C) ¹⁾
- With extra protection can be used in areas certified as Group II 2 GD c IIB T4 (135°C) ²⁾
- Further protection allows the hoist to work in areas certified as Group II 2 GD c IIC T4 (135°C) ²⁾ (not suitable for TCR Mini or TCS range)
- In house design for "specials"

¹⁾ Formerly known as zone 2 & 22

²⁾ Formerly known as zone 1 & 21

Standard documentation

- Report of Thorough Examination
- CE Declaration of Conformity (Machinery Directive)
- Hoist manual, safety instructions
- Explosion drawing & parts list
- Chain certificates
- Hook certificates

Additional documentation/certification

- Painting certificates
- ATEX certificate
- Certificate of Conformity
- Certificate of Origin
- Material certificates
- Witness tests-Lloyds Register, DNV, BV, etc.
- Documentation package, quality plan, procedures, factory acceptance tests, etc.

CROSS HAULING WITH RED ROOSTER HOISTS

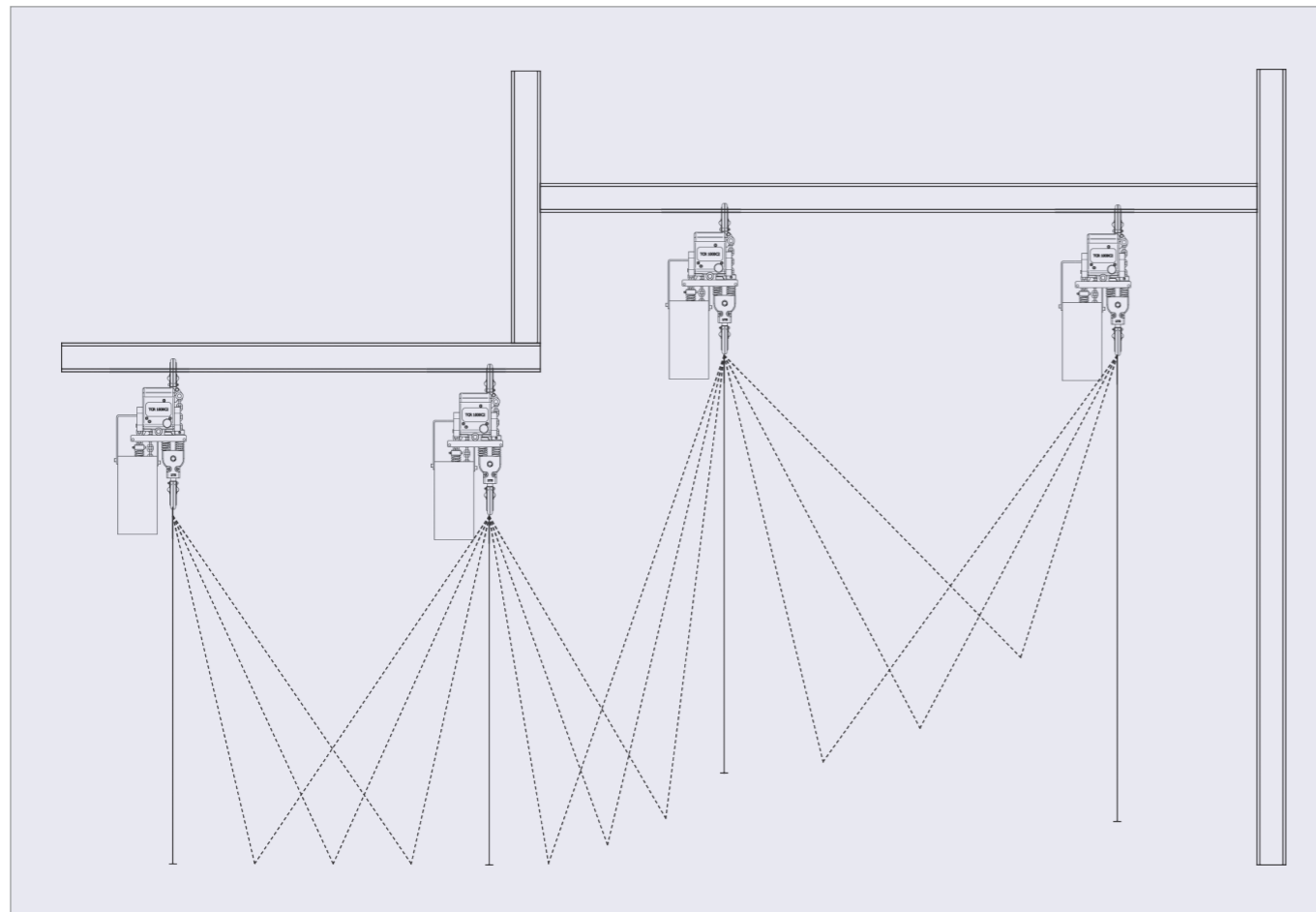
Like all air hoists, the RED ROOSTER hoist range is designed for vertical lifting. Under special circumstances, cross hauling can be achieved with single or two-fall hoist models, up to an angle of 20 degrees from the vertical, with 25 degrees on some capacities under specific conditions.

It is imperative that special precautions are in place for cross hauling applications - a lift plan, method statement and a risk assessment should be completed by a qualified person.

A site assessment should be carried out, checking the structure from which the hoists will be suspended, the hoist locations (route of travel), operator position and also the shape size and weight of the item to be cross hauled.

Site conditions should always be taken into account as different problems will be encountered at each site. We recommend tag lines to be attached to the hoists and wherever possible, lower the load down to the next hoist at an angle letting it take the load, then raise at a much reduced angle.

For all cross hauling applications, please contact our specialists to confirm the suitability of our hoists for the application.



MARINE AND CORROSIVE PROTECTION PAINT SYSTEMS

We have established paint application systems to control the painting of our equipment based on ISO 12944.

Our systems can also be used for several parts of NORSOK M501. These systems give good durability with resistance to water, abrasion, chemicals and are flexible.

For our C2 and C3 systems we use Jotun paints Penguard FC Epoxy. For the high marine specifications C4 and C5 we use an anti-corrosive primer with a hardtop CA acrylic top coat.

Corrosive category and risk	Examples of typical environments in a temperate climate (info only)	
	Exterior	Interior
C1 very low	-	Heated buildings with clean atmospheres, e.g. offices, shops, schools, hotels
C2 low	Atmospheres with low level of pollution. Mostly rural areas	Unheated buildings where condensation may occur, e.g. depots, sports halls
C3 medium	Urban and industrial atmospheres, moderate sulphur dioxide pollution. Coastal area with low salinity	Production rooms with high humidity and some air pollution e.g. food-processing plants, laundries, breweries, dairies
C4 high	Industrial areas and coastal areas with moderate salinity	Chemical plants, swimming pools, coastal, ship and boatyards
C5-1 very high (industrial)	Industrial areas with high humidity and aggressive atmosphere	Buildings or areas with almost permanent condensation and high pollution
C5-M very high (marine)	Coastal and offshore areas with high salinity	Buildings or areas with almost permanent condensation and high pollution



A specialist painting contractor is used when other painting specifications are required. Not all painting systems are suitable for use on our air hoists and trolleys due to the shape and size of the equipment.

RED ROOSTER RENTAL

With RED ROOSTER hoists, hire rates reflect the length of hire. We aim to offer you the equipment you need, when and where you need it.

Our experienced staff will advise you with your equipment needs and will quickly confirm price and availability. From our stock of over 400 hoists, winches, load cells and other lifting solutions we can offer conform your requirements. A large part of our rental hoists and trolleys are 10 tonne to 50 tonne capacity.

Our hire rates reflect the length of hire, the quantity of equipment and specification required. We can supply our range of equipment worldwide at the most competitive rates possible.

Service, quality and reliability

By including only RED ROOSTER hoists products on our rental fleet we have both the in-house expertise and spare parts available to maintain our rental fleet to the highest standard. We carry in excess of € 500.000,- of spare parts for pneumatic hoists alone.

On completion of every hire the equipment is inspected, dismantled, refurbished and function tested prior to return to store. For every hire, the equipment is prepared as per customer specifications and tested before dispatch.

We always endeavour to meet the required delivery 'no matter how challenging'. Technical support is always worldwide available. By problems, we are there for you with advise, spare parts, service or a replacement units available at short notice.



Pneumatic hoists

The full range of RED ROOSTER standard pneumatic hoists, trolleys and low headroom units found in this catalogue are available for hire, from 250 kg to 50 tonne. We have chains available to give up to 100mtr height of lift on the smaller models, 34 mtr on the 37,5 tonne and 25 mtr on the 50 tonne hoists. We can supply longer heights of lift for special orders. All hoists can be supplied with cord control units or pendant control with a main emergency stop. At present we have over 400 hoists fitted with the required safety features such as upper and lower limits, emergency stops and load limiters. We also supply chain collectors for most heights of lift, hose support brackets, ATEX units, air pigs and air hoses.

Pneumatic trolleys

Our rental trolleys suit capacities from 250 kg to 50 tonne (see pictures below), can fit a wide range of beam sizes, different speeds and can be either standard or ATEX units. We also have a range of low headroom trolleys.



Benefits

- Hiring from a company you can trust
- Fast availability of large quantities and capacities of equipment
- Delivered to your site on the day agreed ready for use
- Competitive rates, structured to take into account the hire duration
- Leave maintenance to the specialists (allowing you to concentrate on your business)
- Avoid capital outlay, pay only for what you use and spread out-goings throughout the hire
- Technical support: free evaluation of your requirements
- On-site assistance
- Equipment can be tailored to solve your specific needs
- Rental with the purchase option on request
- Fully certified equipment supplied with the necessary certification and rental manual
- Operators can be supplied along with the equipment

Other items available for hire include:

- Electric hoists
- Pneumatic winches
- Load measuring equipment
- Large capacity manual chain blocks
- Ultra low headroom hoists
- Spooling winches





The RED ROOSTER Spark Resistant Air chain Hoists are very suitable to be used in explosion dangerous areas because air does not generate sparks (on the contrary to electricity). RED ROOSTER Spark Resistant Air chain Hoists are very economical, and supplied at very competitive prices.

In various industries like (petro) chemical industry, oil/gas industry, offshore, power plants, mining, food industry and many other industries an explosion dangerous atmosphere can arise during processing, transporting or storing, due to gas, vapor or dust.

Explosive atmospheres can be caused by flammable gases, mists or vapours, or by combustible dusts. If there is enough of a substance mixed with air then all it needs is a source of ignition to cause an explosion. Preventing release of dangerous substances and controlling potential sources of ignition are two widely used ways of reducing risk.

Why do we need ATEX certification

- If you manufacture a product that is to be used in a potentially explosive environment and you want to sell in the European Union, then you will need to apply the CE and Ex mark on it.
- The ATEX 94/9/EC Directive (ATEX 95) covers both electrical and mechanical equipment which is split into two categories of equipment, Group I mining & Group II above ground.
- Our lodgement is for mechanical non electrical equipment which are capable of causing their own source of ignition.

All standard RED ROOSTER pneumatic hoists and trolleys from 250 kg to 100 tonne can be certified for use in II 3 GD c IIA T4 ¹⁾ area and with additional protection built into the hoist they can be certified for II 2 GD c IIB T4 ¹⁾ & II 2 GD c IIC T4 ²⁾ area. The preparation work required to be carried out on our hoists varies on the protection level requested by the customer. With the information on where the hoist will be operating we prepare the hoist to be suitable for the zone, gas group and temperature rating.

Our lodgement COV0912421/1 filed with Lloyds Register covers the range of ATEX units we manufacture.

The TCR, TNC, TMH & TCS ranges of hoists are heavy duty units with a wide range of uses in a variety of industries all over the world. The ATEX range of hoists are built to stand up to different environments making them safe to use in explosive atmospheres.

Depending on the classification we can bronze spray hooks, fit stainless steel safety latches, use either zinc plated or stainless steel load chain and fit stainless steel chain collectors.

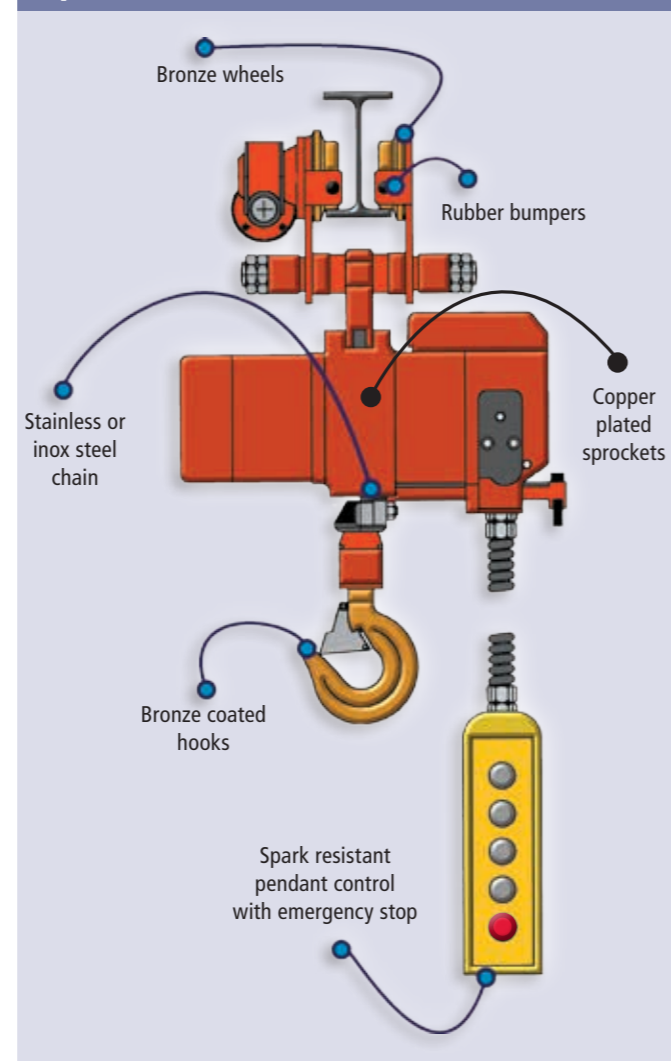
RED ROOSTER pneumatic trolleys, geared trolleys and push trolleys are fitted with bronze wheels, bronze anti-tip rollers, rubber buffers and air trolleys have ATEX rated air motors, gearboxes and valves. Our trolleys are suitable for a range of beam sizes and profiles, with rack and pinion, beam brake, low headroom and ultra low headroom units available in most capacities.

We also do a range of ATEX pneumatic wire rope hoists built to suit customer requirements. These hoist units have been fully converted to air powered units from ATEX certified parts covered by our risk assessment for the process and parts used in manufacture.

Our Spark Resistant Air chain Hoists are widely used in a.o. the On and Off-shore, (petro) chemical industry, paint spraying, chemical production and -storage, pharmaceutical industry and tank-cleaning.

- ¹⁾ Formerly known as zone 2 & 22
- ²⁾ Formerly known as zone 1 & 21

Spark Resistant Air Chain Hoists



Atmosphères explosibles

ATEX comes from the French words "ATmosphères EXplosibles" which is the name commonly given to the two European Directives for controlling explosive atmospheres. The aim of the directive 94/9/EC is to allow free trade of ATEX equipment within the EU. Some other parts of the world do not have regulations on non electrical equipment in explosive areas and have also adopted the ATEX directive.

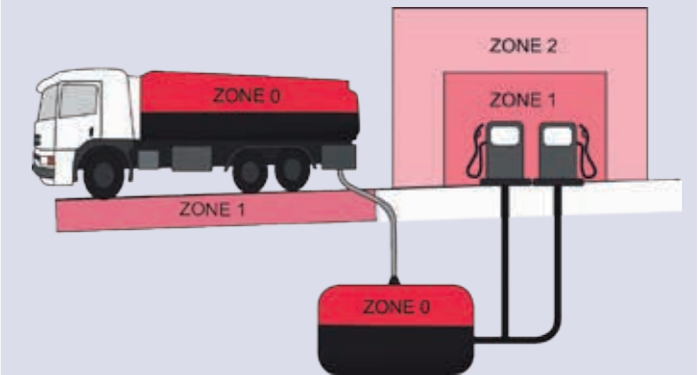
- Directive 94/9/EC (ATEX 95) is for the manufacturers of equipment used in explosive atmospheres.
- Directive 99/92/EC (ATEX 137) is for the health and safety protection of workers and manufacturers of installations within a potentially explosive atmosphere.

The Directive 99/92/EC applies to most workplaces where an explosion may occur, so employers must carry out risk assessments to classify different groups to ensure that the correct equipment can be selected for that specific area. These risk assessments should be kept on file and the classification for that area passed on to manufacturers or suppliers when selecting the correct equipment. This equipment should be of the same or higher classification.



Hazardous areas

Gas atmospheres



Dust atmosphere



The above diagrams are simple examples of explosive atmospheres within industry. Each site may differ.

Categorie	Gas	Dust
Categorie 1 = zone	0	20
Categorie 2 = zone	1	21
Categorie 3 = zone	2	22





An explosive atmosphere is defined as a mixture of dangerous substances with air, under atmospheric conditions, in the form of gases, vapours, mist or dust in which after ignition has occurred, combustion spreads to the entire unburned mixture.

food industry, pharmaceuticals, refineries, power generation, chemical industry, mining and in the exploration and production of oil and gas. Even in non hazardous production process gas may leak from cylinders or leaking pipes.

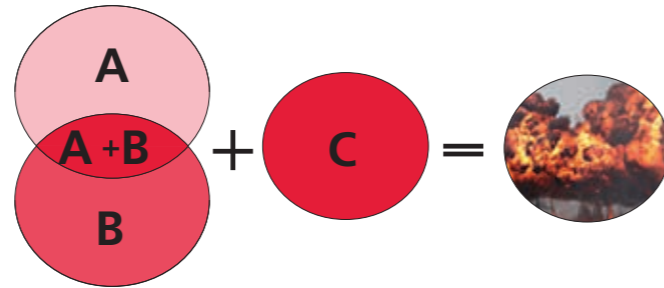
Dangerous gases, dusts, mists and vapours are produced in many workplaces such as agriculture, waste disposal, recycling, wood processing, metal processing, paint shops,

An explosion can only take place when the following 3 factors coincide

A Combustable Substance: gas, dust, vapour, mist

B Oxidizing Agent: oxygen in the air

C Ignition Source: spark, hot surface, flame, static



Explosion protection

Explosion protection can mean to generally prevent the occurrence of an explosive mixture. Explosion protection can also be achieved by eliminating potential ignition sources in advance, e.g. high temperatures and sparking by designing components accordingly and by permanent

monitoring of operation, or by using a flame-proof enclosure for the source of ignition to protect the surrounding area against possible effects of an internal explosion.

Primary explosion protection Prevent the formation of explosive atmospheres.

Secondary explosion protection Prevent the ignition of potentially explosive atmospheres.

Tertiary explosion protection Restricts the effects of an explosion.

Dust explosion protection

Powder or dust like products are the by product of many farming, mining and industrial processes. This hazardous dust can be produced by grain, wood, paper, metals and coal in industries such as plastic, chemical and many others. Many of these powders and dusts are inflammable but under certain circumstances they can explode.

Dust explosions can be far more dangerous than gas explosions as the initial dust explosion can move more dust into the air creating further explosions and can cause destruction over a large area. A dust layer of less than 1 mm is enough, when stirred up and mixed with oxygen, to create an explosion.



Equipment groups, categories and zone classification

Group	Risk zone	Level of Protection	Formerly known
I Mining	M(1)	Mechanical equipment - Energised Very high level of protection Equipment must continue to operate in an explosive atmosphere.	0, 1, 2 (Gases) 20, 21, 22 (Dust)
I Mining	M(2)	Mechanical equipment - De-energised High level of protection Equipment must shut down if an explosive atmosphere occurs.	1, 2 (Gases) 21, 22 (Dust)
II Non-mining	1	Very high level of protection Where gas, dust or vapour mixtures are present continuously or for long periods.	0, 1, 2 (Gases) 20, 21, 22 (Dust)
II Non-mining	2	High level of protection Where gas, dust or vapour mixtures are likely to occur occasionally.	1, 2 (Gases) 21, 22 (Dust)
II Non mining	3	Normal protection Where gas, dust or vapour mixtures are unlikely to occur and only for short periods.	2 (Gases) 22 (Dust)

Explosion zone classification

Category	Formerly known	Description
1G	ZONE 0 (Gas/vapours)	An area in which an explosive mixture is continuously present or present for long periods.
2G	ZONE 1 (Gas/vapours)	An area in which an explosive mixture is likely to occur in normal operation.
3G	ZONE 2 (Gas/vapours)	An area in which an explosive mixture is not likely to occur in normal operation and if it occurs it will exist only for a short time.
1D	ZONE 20 (Dust)	An area in which an explosive mixture is continuously present or present for long periods
2D	ZONE 21 (Dust)	An area in which an explosive mixture is likely to occur in normal operation.
3D	ZONE 22 (Dust)	An area in which an explosive mixture is not likely to occur in normal operation and if it occurs it will exist only for a short time.

Gas groups

Gases are divided into two groups:

Group I: For mines susceptible to Methane

Group II: For gases in locations other than mines, which are divided into three sub groups:

IIA: For atmospheres containing propane or gases of an equivalent hazard

IIB: For atmospheres containing ethylene or gases of an equivalent hazard

IIC: For atmospheres containing hydrogen or gases of an equivalent hazard

Equipment for Group II used in an explosive area is also classified by the gas group.

Gas group of the explosive atmosphere	Equipment with the same or higher gas group marking can be used in the area
IIA	IIA, IIB, IIC
IIB	IIB, IIC
IIC	IIC

Temperature classes

The auto ignition temperature is the temperature in °C at which a gas will spontaneously ignite without another source of ignition.

Temperature Classes	Max Surface Temperature	Ignition Temperature range of mixture
T1	450°C	> 450°C
T2	300°C	>300 to 450°C
T3	200°C	>200 to 300°C
T4	135°C	>135 to 200°C
T5	100°C	>100 to 135°C
T6	85°C	>85 to 100°C



Classification of combustible gases, vapours and mists

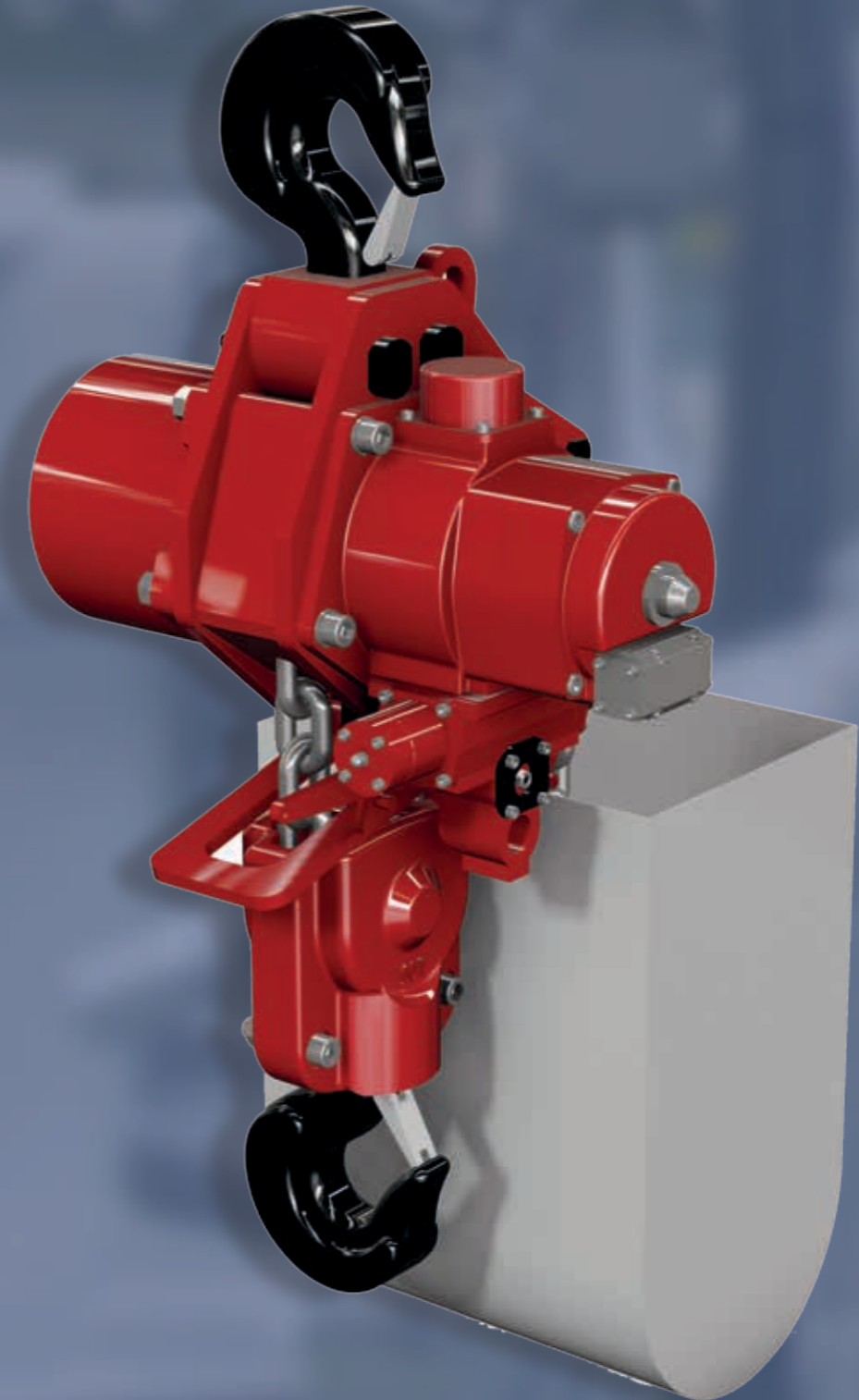
Explosion groups and temperature classes of a selection of gases and vapours

Ex Group	Temperature Classes					
	T1	T2	T3	T4	T5	T6
	Ignition temperature range of the mixture					
	>450°C	>300 ≤ 450°C	>200 ≤ 300°C	>200 ≤ 135°C	>135 ≤ 100°C	>100 ≤ 85°C
Permissible max, surface temperature of the equipment						
	450°C	300°C	200°C	135°C	100°C	85°C
IIA	Acetone	Ethanol	Petrol (general)	Acetaldehyde		
	Ammonium	i-Amyl Acetate	Diesel fuels			
	Benzene (pure)	n-Butane	Aircraft fuels			
	Acetic Acid	n-Butanol	Fuel oil DIN 51603			
	Ethane	Cyclohexan	n-Hexane			
	Ethyl Acetate	Acetic Anhydride				
	Ethyl Chloride					
	Carbon Monoxide					
	Methane					
	Methanol					
	Methyl Chloride					
	Napthalene					
	Phenol					
	Propane					
	Toluene					
	IIB	City Gas	Ethylene	Ethylene Glycol	Ethyl Ether	
		Ethylene Oxide	Hydrogen			
IIC	Hydrogen	Acetylene				Carbon Disulphide

Atex marking

CE **Ex** **II 2 GD IIA c T4 (135°C)**

CE - MARK	IDENTIFICATION	EQUIPMENT GROUP	SAFETY CATEGORY	EXPLOSIVE ATMOSPHERE	TYPICAL GAS	PROTECTION TYPE	TEMPERATURE CLASS
permitted by the European Committee for the technical Standardisation	for protection against explosions	I - Mining application II - Non-mining application	1 - Extremely high 2 - High 3 - Normal	G - Gas D - Dust	IIA - (for example) propaan IIB - (for example) ethyleen IIC - (for example) acetyleen	p = pressurised enclosure d = flame-proof enclosure e = increased safety nA = non-sparking i = intrinsic c = construction safety b = ignition source monitoring k = liquid immersion	T1 - max. 450°C* T2 - max. 300°C* T3 - max. 200°C* T4 - max. 135°C* T5 - max. 100°C* T6 - max. 85°C*



RED ROOSTER pneumatic hoists comply with the European Machinery Directive and are CE marked.

SECTION 4 MATERIAL HANDLING

TMM-140AE

RED ROOSTER Compact Hoist are suitable for "Material-Handling". The pendant control is direct on the lower hook so the operator can control and position the load easy and direct. The perfect solution for horizontal movements is the combination with a push trolley.

Standard features:

- Pendant control direct on the lower hook
- Optimum load control, very precise positioning
- One-hand control
- Variable speed control

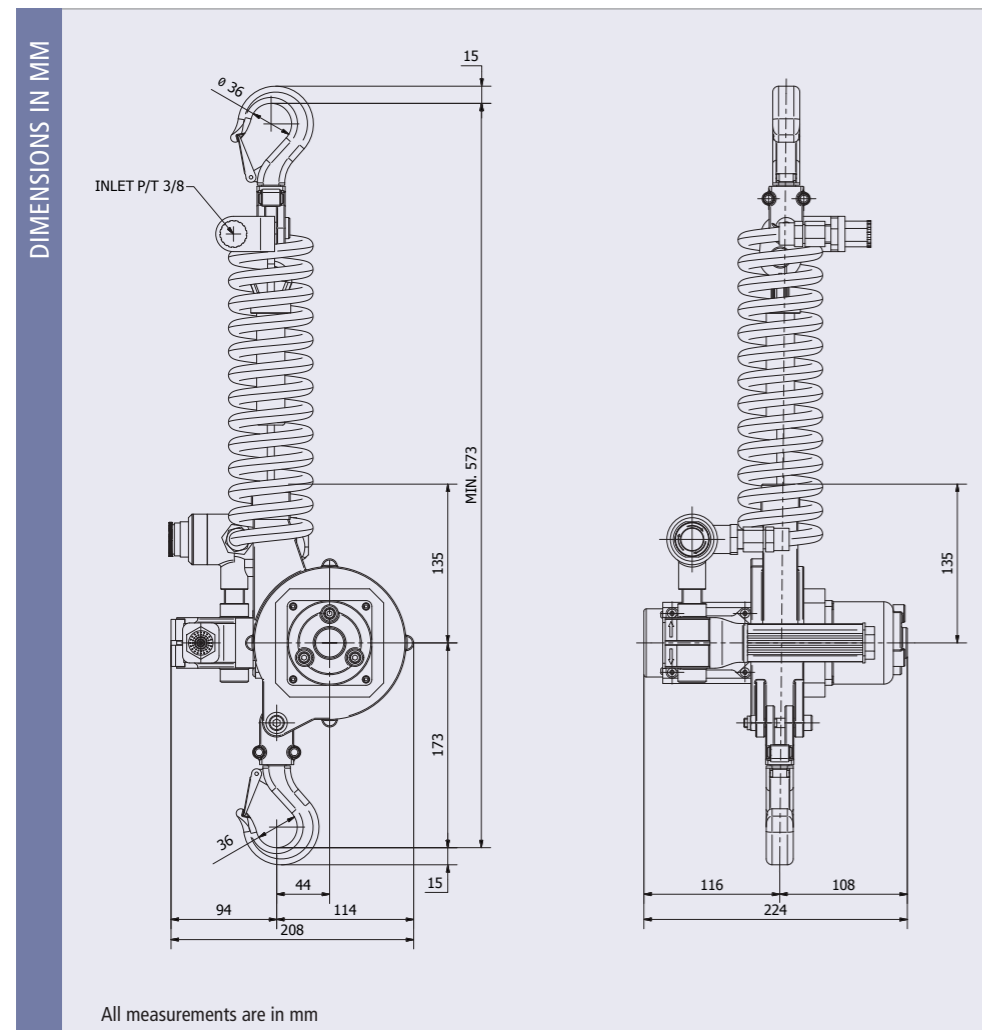
- Soft start and stop, no shock movements
- Handle can be positioned for left-hand or right-hand operation
- Endstop system

Available options:
See page 7

Recommended:
SMC air treatment unit: AC30-F03DM-8-B

WLL	Lifting speed with load	Air connection	Min hose diam.
140 kg	11.0 m/min	3/8" BSPT	1/2" hose
Lifting speed without load	Air consumption lifting	Working pressure	Falls
15 m/min	8 l/sec	6 bar	1 (cable)
Weight incl. 3 m lift	-	-	-
9,5 kg	-	-	-

Information subject to change without notice



SECTION 4 MATERIAL HANDLING

TCR-250ME

RED ROOSTER Compact Hoist are suitable for "Material-Handling". The pendant control is direct on the lower hook so the operator can control and position the load easy and direct. The perfect solution for horizontal movements is the combination with a push trolley.

Standard features:

- Pendant control direct on the lower hook
- Optimum load control, very precise positioning
- One-hand control
- Variable speed control

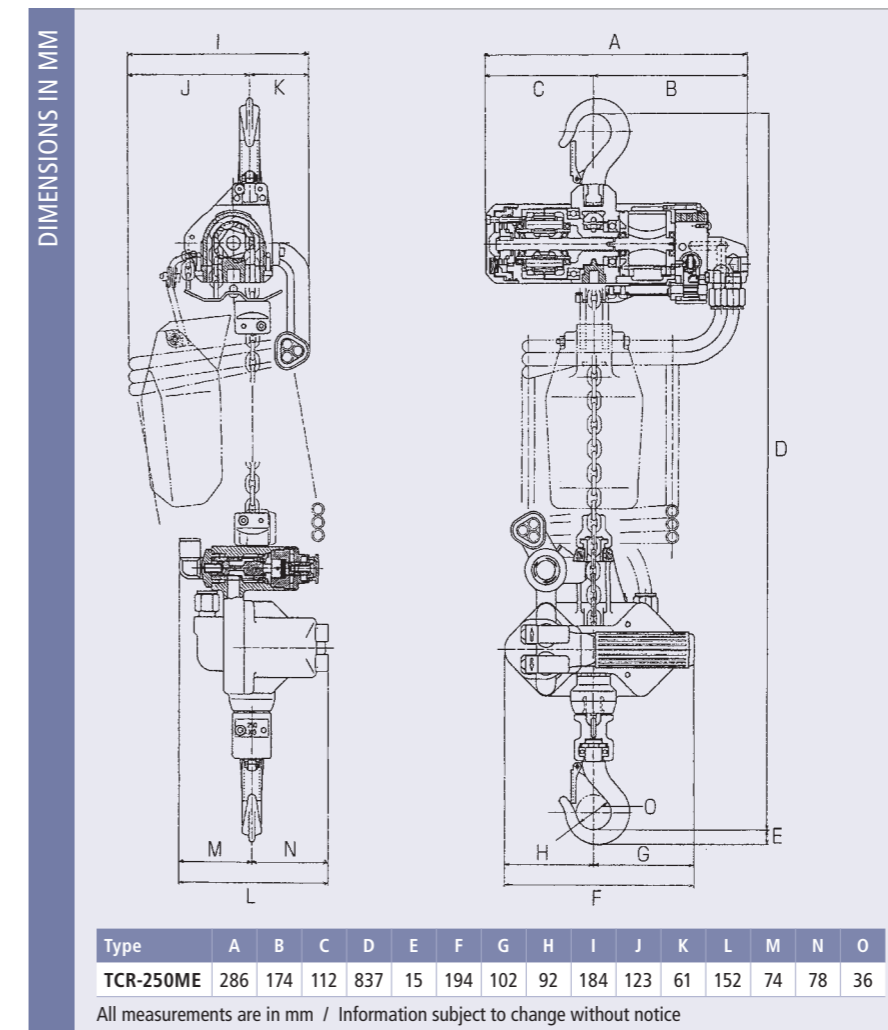
- Soft start and stop, no shock movements
- Handle can be positioned for left-hand or right-hand operation
- Mechanical endstop system

Available options:
See page 7

Recommended:
SMC air treatment unit: AC30-F03DM-8-B

WLL	Lifting speed with load	Air connection	Min hose diam.
250 kg	8 m/min	3/8" BSPT	1/2" hose
Lifting speed without load	Air consumption lifting	Working pressure	Falls
19 m/min	11,7 l/sec	6 bar	1
Weight incl. 3 m lift	Chain size mm	-	-
11 kg	4,0 x 12,0 (HD)	-	-

C = Cord control / DP = Pendant



MINI CHAIN HOISTS

TCR-125C | TCR-125DPE

The RED ROOSTER Mini Air Chain Hoists are besides industrial use also very suitable for "Material Handling". Due to the low weight these hoists are very suitable for service applications. Special for use in tank cleaning installations we recommend stainless steel chain.

Standard features:

- Low weight and therefore very mobile, easy mounting
- Precise variable speed control (cord - and pendant control)
- Very compact design
- Robust aluminum housing

- Air motor is cooled by the exhaust air (internal)
- Cord control or pendant control
- Low noise level
- Mechanical endstop system

Available options:

See page 7

Recommended:

SMC air treatment unit: AC30-F03DM-8-B

Model*	WLL	Lifting speed with load	Lifting speed without load	Lowering speed with load
TCR-125C	125 kg	14 m/min	19 m/min	16 m/min
TCR-125DPE	125 kg	12,8 m/min	17,2 m/min	13 m/min

Model*	Air consumption lifting	Air consumption lowering	Air connection	Minimum hose diam
TCR-125C	11,7 l/sec	15 l/sec	3/8" BSPT	1/2" hose
TCR-125DPE	11,7 l/sec	15 l/sec	3/8" BSPT	1/2" hose

Model*	Working pressure	Weight with 3m hol	Additional metre hol	Chain falls
TCR-125C	6 bar	7 kg	0,35 kg	1 (4 x 12 RTS)
TCR-125DPE	6 bar	8,6 kg	0,35 kg	1 (4 x 12 RTS)

*C = Cord control / P = Pendant control / DPE = Direct Pendant

DIMENSIONS IN MM

Type	A	B	C	D	E	F	G	H	J	K	L	M	N	P	R	X	Z
TCR-125C	249	112	137	130	305	71	21	19	33	-	1.660	-	375	124	P/T 3/8	40	170
TCR-125DPE	286	112	174	130	305	71	21	19	33	21	-	2310	375	124	P/T 3/8	40	170

All measurements are in mm / Information subject to change without notice

MINI CHAIN HOISTS

TCR-250C | TCR-250DPE | TCR-500C2 | TCR-500DP2

The RED ROOSTER Mini Air Chain Hoists are besides industrial use also very suitable for "Material Handling". Due to the low weight these hoists are very suitable for service applications. Special for use in tank cleaning installations we recommend stainless steel chain.

Standard features:

- Low weight and therefore very mobile, easy mounting
- Precise variable speed control (cord - and pendant control)
- Very compact design
- Robust aluminum housing

- Air motor is cooled by the exhaust air (internal)
- Cord control or pendant control
- Low noise level
- Mechanical endstop system

Available options:

See page 7

Recommended:

SMC air treatment unit: AC30-F03DM-8-B

Model*	WLL	Lifting speed with load	Lifting speed without load	Lowering speed with load
TCR-250C	250 kg	9,3 m/min	19 m/min	17,9 m/min
TCR-250DPE	250 kg	8,1 m/min	17,2 m/min	13 m/min
TCR-500C2 TCR-500DP2	500 kg	4,6 m/min	9,5 m/min	9 m/min

Model*	Air consumption lifting	Air consumption lowering	Air connection	Minimum hose diam
TCR-250C	11,7 l/sec	15 l/sec	3/8" BSPT	1/2" hose
TCR-250DPE	11,7 l/sec	15 l/sec	3/8" BSPT	1/2" hose
TCR-500C2 TCR-500DP2	11,7 l/sec	15 l/sec	3/8" BSPT	1/2" hose

Model*	Working pressure	Weight with 3m hol	Additional metre hol	Chain falls
TCR-250C	6 bar	7 kg	0,35 kg	1 (4 x 12 mm RTS)
TCR-250DPE	6 bar	7 kg	0,35 kg	1 (4 x 12 mm RTS)
TCR-500C2 TCR-500DP2	6 bar	9 kg	0,7 kg	2 (4 x 12 mm RTS)

*C = Cord control / P = Pendant control / DPE = Direct Pendant

DIMENSIONS IN MM

Model	A	B	C	D	E	F	G	H0	I	J	X	Z
TCR-250C	305	105	69	22	112	140	15	35	22	20	40	170
TCR-250DPE	305	105	69	22	112	140	15	35	22	20	40	170
TCR-500C2 TCR-500DP2	360	118	83	35	112	140	15	36	22	20	40	180

All measurements are in mm / Information subject to change without notice

HIGH SPEED HOIST

TCS-500 | TCS-980

RED ROOSTER Air Chain Hoists are especially developed for the "Material Handling Industry". For example: warehousing, packaging etc. These hoists have a very high lifting and lowering speed, making them very suitable for applications with long lifting heights.

Standard features:

- Very high lifting and lowering speeds
- Maximum speed adjustable, lifting and lowering speed independent from each other
- Precise variable speed control (cord - and pendant control)
- Optimum control of the load, very precise positioning
- Compact and light weight
- Exhaust hose easy to assemble

Model*	WLL	Lifting speed with load	Lifting speed without load	Lowering speed with load
TCS-500C TCS-500PE	500 kg	17 m/min	33 m/min	34 m/min
TCS-980C2 TCS-980P2E	980 kg	8,5 m/min	17 m/min	17 m/min

Model*	Air consumption lifting	Air consumption lowering	Air connection	Minimum hose diam
TCS-500C TCS-500PE	28 l/sec	33 l/sec	1/2" BSPT	1/2" hose
TCS-980C2 TCS-980P2E	28 l/sec	33 l/sec	1/2" BSPT	1/2" hose

Model*	Working pressure	Weight with 3m hol	Additional metre hol	Chain falls
TCS-500C TCS-500PE	6 bar	19 kg	0,8 kg	1 (6,3 x 19,1 mm)
TCS-980C2 TCS-980P2E	6 bar	24 kg	1,6 kg	2 (6,3 x 19,1 mm)

*C = Cord control / P = Pendant control

DIMENSIONS IN MM

Model	A	B	C	D	E	F	G	HØ	I	J	X	Z
TCS-500	415	255	103	68	205	163	15	35	22	22	40	210
TCS-980	510	205	123	37	163	205	30	40	29	25	40	225

All measurements are in mm / Information subject to change without notice



PNEUMATIC CHAIN HOISTS

TCR-500 | TCR-1000/2 | TCR-600250

These RED ROOSTER Air Chain Hoists are especially developed for heavy industrial use. Robust cast steel body. Valve block is the same for all models meaning: less spare parts required. Standard with load limiter (except TCR-600250).

Standard features:

- Precise variable speed control (cord- and pendant control)
- Optimum control of the load, very precise positioning
- Compact design
- Mechanical endstop system

- Load limiter built-in without loss of headroom
- Cord control or pendant control
- Low noise level
- Air pressure 0,4 - 0,63 MPa (4 - 6,3 Bar)

Available options:

See page 7

Recommended:

SMC air treatment unit: AC40-F04DM-8-B

Model*	WLL	Lifting speed with load	Lifting speed without load	Lowering speed with load
TCR-600250C TCR-600250PE	250 kg	10,5 m/min	20,5 m/min	17,9 m/min
TCR-500C TCR-500PE	500 kg	10,5 m/min	20,5 m/min	17,9 m/min
TCR-1000C2 TCR-1000P2E	1.000 kg	5,3 m/min	9,5 m/min	9 m/min

Model*	Air consumption lifting	Air consumption lowering	Air connection	Minimum hose diam
TCR-600250C TCR-600250PE	25 l/sec	27 l/sec	1/2" BSPT	1/2" hose
TCR-500C TCR-500PE	25 l/sec	27 l/sec	1/2" BSPT	1/2" hose
TCR-1000C2 TCR-1000P2E	25 l/sec	27 l/sec	1/2" BSPT	1/2" hose

Model*	Working pressure	Weight with 3m hol	Additional metre hol	Chain falls
TCR-600250C TCR-600250PE	6 bar	31,1 kg	0,8 kg	1 (6,3 x 19,1 mm)
TCR-500C TCR-500PE	6 bar	31,1 kg	0,8 kg	1 (6,3 x 19,1 mm)
TCR-1000C2 TCR-1000P2E	6 bar	35,2 kg	1,6 kg	2 (6,3 x 19,1 mm)

*C = Cord control / P = Pendant control

DIMENSIONS IN MM

Model	A	B	C	D	E	F	G	HØ	I	J	X	Z
TCR-600250	460	212	115	51	156	186	29	40	29	29	100	250
TCR-500	460	212	115	51	156	186	29	40	29	25	100	250
TCR-1000	519	212	139	27	156	186	29	40	29	25	100	250

All measurements are in mm / Information subject to change without notice

PNEUMATIC CHAIN HOISTS

TCR-1000 | TCR-2000

FULL RANGE OF QUALITY PNEUMATIC HOISTS FOR INDUSTRIAL AND MARINE APPLICATIONS

These RED ROOSTER Air Chain Hoists are especially developed for heavy industrial use. Robust cast steel body. Valve block is the same for all models meaning: less spare parts required. Standard with load limiter.

Standard features:

- Precise variable speed control (cord- and pendant control)
- Optimum control of the load, very precise positioning
- Compact design
- Mechanical endstop system

- Load limiter built-in without loss of headroom
- Cord control or pendant control
- Low noise level
- Air pressure 0,4 - 0,63 MPa (4 - 6,3 Bar)

Available options:

See page 7

Recommended:

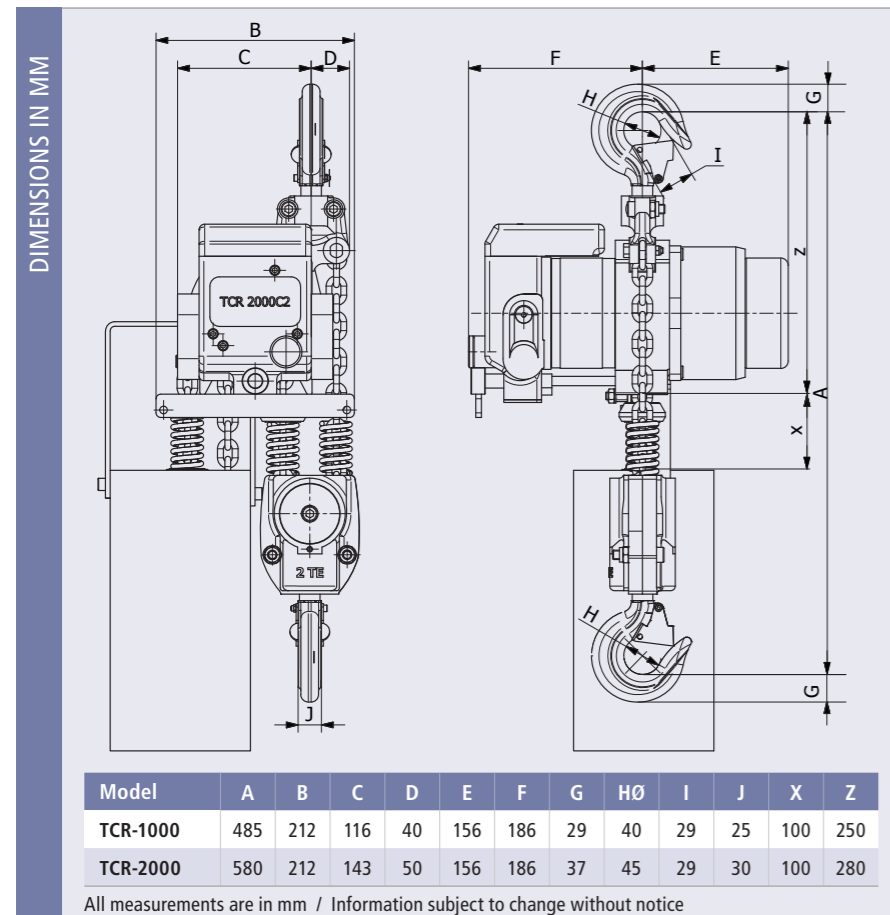
SMC air treatment unit: AC40-F04DM-8-B

Model*	WLL	Lifting speed with load	Lifting speed without load	Lowering speed with load
TCR-1000C TCR-1000PE	1.000 kg	6 m/min	11,3 m/min	10,3 m/min
TCR-2000C2 TCR-2000P2E	2.000 kg	3 m/min	5,7 m/min	5,2 m/min

Model*	Air consumption lifting	Air consumption lowering	Air connection	Minimum hose diam
TCR-1000C TCR-1000PE	25 l/sec	28 l/sec	1/2" BSPT	1/2" hose
TCR-2000C2 TCR-2000P2E	25 l/sec	30 l/sec	1/2" BSPT	1/2" hose

Model*	Working pressure	Weight with 3m hol	Additional metre hol	Chain falls
TCR-1000C TCR-1000PE	6 bar	34 kg	1,1 kg	1 (7,1 x 21 mm)
TCR-2000C2 TCR-2000P2E	6 bar	39,7 kg	2,2 kg	2 (7,1 x 21 mm)

*C = Cord control / P = Pendant control



PNEUMATIC CHAIN HOISTS

TCR-3000 | TCR-6000

FULL RANGE OF QUALITY PNEUMATIC HOISTS FOR INDUSTRIAL AND MARINE APPLICATIONS

These RED ROOSTER Air Chain Hoists are especially developed for heavy industrial use. Robust cast steel body. Valve block is the same for all models meaning: less spare parts required. Standard with load limiter.

Standard features:

- Precise variable speed control (cord- and pendant control)
- Optimum control of the load, very precise positioning
- Compact design
- Mechanical endstop system

- Load limiter built-in without loss of headroom
- Cord control or pendant control
- Low noise level
- Air pressure 0,4 - 0,63 MPa (4 - 6,3 Bar)

Available options:

See page 7

Recommended:

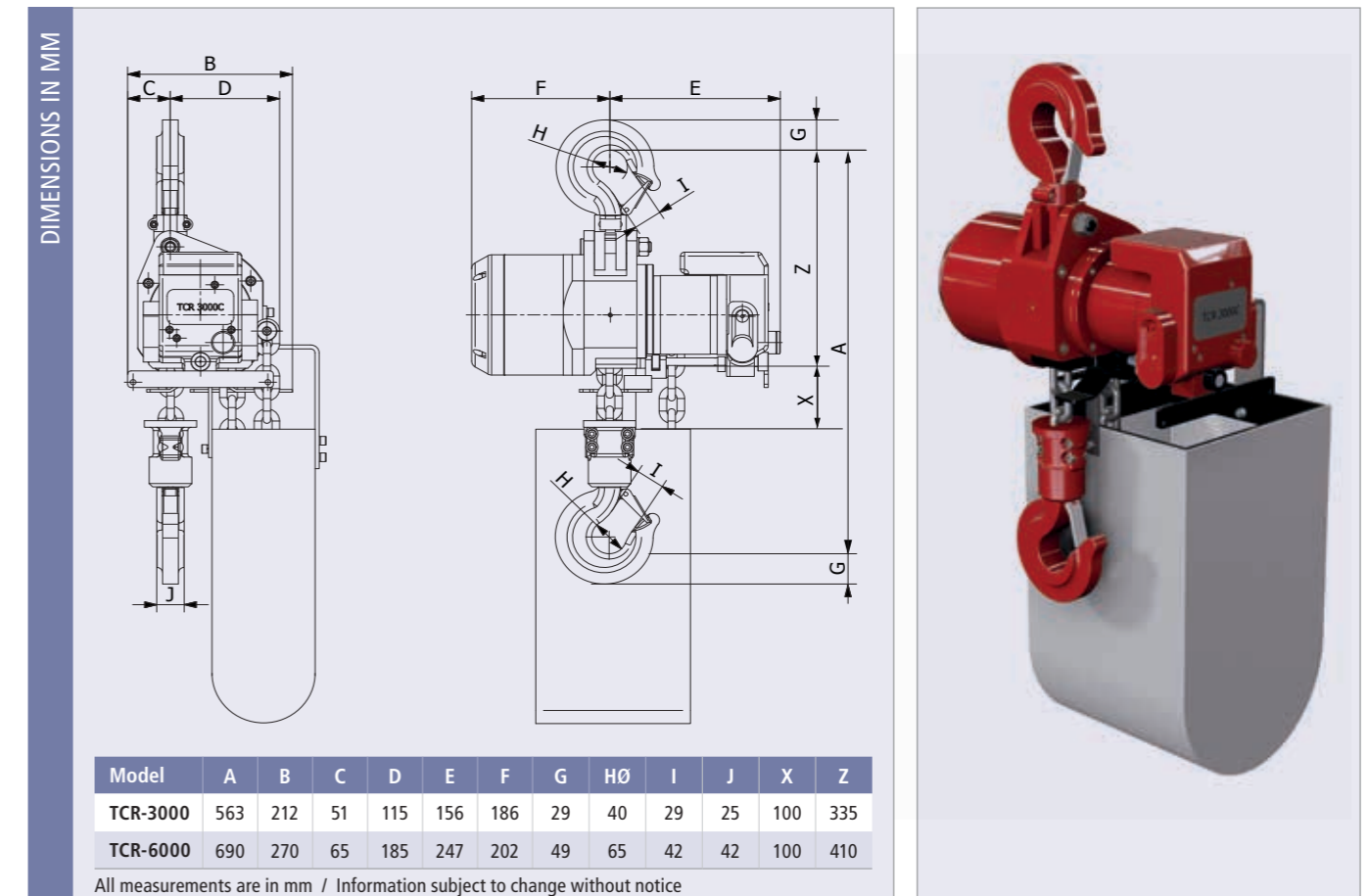
SMC air treatment unit: AC40-F04DM-8-B

Model*	WLL	Lifting speed with load	Lifting speed without load	Lowering speed with load
TCR-3000C TCR-3000PE	3.000 kg	2,8 m/min	5,7 m/min	4,6 m/min
TCR-6000C2 TCR-6000P2E	6.000 kg	1,4 m/min	2,9 m/min	2,3 m/min

Model*	Air consumption lifting	Air consumption lowering	Air connection	Minimum hose diam
TCR-3000C TCR-3000PE	33 l/sec	43 l/sec	1/2" BSPT	3/4" hose
TCR-6000C2 TCR-6000P2E	33 l/sec	43 l/sec	1/2" BSPT	3/4" hose

Model*	Working pressure	Weight with 3m hol	Additional metre hol	Chain falls
TCR-3000C TCR-3000PE	6 bar	69 kg	2,7 kg	1 (11,2 x 34 mm)
TCR-6000C2 TCR-6000P2E	6 bar	91 kg	5,4 kg	2 (11,2 x 34 mm)

*C = Cord control / P = Pendant control



PNEUMATIC CHAIN HOISTS

TCR-9000 | TCR-12000 | TCR-15000

FULL RANGE OF QUALITY PNEUMATIC HOISTS FOR INDUSTRIAL AND MARINE APPLICATIONS

These RED ROOSTER TCR series 9- 15 tonne Air Chain Hoists are especially developed for heavy industrial applications. Robust cast steel body. Standard with load limiter.

Standard features:

- Precise variable speed control (cord- and pendant control)
- Optimum control of the load, very precise positioning
- Compact design
- Mechanical endstop system
- Load limiter built-in without loss of headroom

- Cord control or pendant control
- Low noise level
- Air pressure 0,4 - 0,63 MPa (4 - 6,3 Bar)

Available options:

See page 7

Recommended:

SMC air treatment unit: AC40-F04DM-8-B

Model*	WLL	Lifting speed with load	Lifting speed without load	Lowering speed with load
TCR-9000C3 TCR-9000P3	9.000 kg	0,9 m/min	1,9 m/min	1,5 m/min
TCR-12000C4 TCR-12000P4	12.000 kg	0,7 m/min	1,4 m/min	1,1 m/min
TCR-15000C5 TCR-15000P5	15.000 kg	0,6 m/min	1,1 m/min	0,9 m/min

Model*	Air consumption lifting	Air consumption lowering	Air connection	Minimum hose diam
TCR-9000C3 TCR-9000P3	33 l/sec	43 l/sec	1/2" BSPT	3/4" hose
TCR-12000C4 TCR-12000P4	33 l/sec	43 l/sec	1/2" BSPT	3/4" hose
TCR-15000C5 TCR-15000P5	33 l/sec	43 l/sec	1/2" BSPT	3/4" hose

Model*	Working pressure	Weight with 3m hol	Additional metre hol	Chain falls
TCR-9000C3 TCR-9000P3	6 bar	150 kg	8,1 kg	3 (11,2 x 34 mm)
TCR-12000C4 TCR-12000P4	6 bar	170 kg	10,8 kg	4 (11,2 x 34 mm)
TCR-15000C5 TCR-15000P5	6 bar	210 kg	13,5 kg	5 (11,2 x 34 mm)

*C = Cord control / P = Pendant control

DIMENSIONS IN MM

Model	A	B	C	D	E	F	G	H0	I	J	K	L	M	N	X	Z
TCR-9000	842	378	114	140	247	202	60	75	53	42	370	439	220	240	100	380
TCR-12000	950	346	118	228	202	247	67	84	58	52	396	493	233	224	100	390
TCR-15000	950	403	110	293	211	238	67	84	58	52	391	431	230	280	100	390

All measurements are in mm / Information subject to change without notice



PNEUMATIC CHAIN HOISTS

TMH-3000 | TMH-6000 | TMH-9000 | TMH-12000 | TMH-15000

HEAVY DUTY RANGE OF HOISTS FOR THE MOST DEMANDING APPLICATIONS

The NEW RED ROOSTER TMH series air chain hoists has the highest lifting speed with the lowest headroom on the hoist market. With M4 classification of mechanism this hoist is extremely reliable. This hoist will guarantee the continuity of your process. The TMH hoists are designed with a full load supporting eye for installation and securing (during lift applications) the hoist for extra safety.

Standard features:

- Precise variable speed control (cord- and pendant control)
- Optimum control of the load, very precise positioning
- Mechanical end stop system
- Load limiter built-in without loss of headroom
- Low noise level (80 dBA)
- Air pressure 0,4 - 0,63 MPa (4-6,3 bar)

Available options:

See page 7

Recommended:

SMC air treatment unit: AC60-F10DM-8-B

The NEW RED ROOSTER TMH series air chain hoists are also available in
9T - 12T - 15T
 Ask our sales department for information and an offer.

Model*	WLL	Lifting speed with load	Lifting speed without load	Lowering speed with load
TMH-3000C TMH-3000PE	3.000 kg	5,4 m/min	10,8 m/min	10,2 m/min
TMH-6000C TMH-6000PE	6.000 kg	2,7 m/min	5,4 m/min	5,1 m/min

Model*	Air consumption lifting	Air consumption lowering	Air connection	Minimum hose diam
TMH-3000C TMH-3000PE	56 l/sec	68 l/sec	3/4" BSPT	3/4" hose
TMH-6000C TMH-6000PE	56 l/sec	68 l/sec	3/4" BSPT	3/4" hose

Model*	Working pressure	Weight with 3m hol	Additional metre hol	Chain falls
TMH-3000C TMH-3000PE	6 bar	99	3,8 kg	1 (13 x 36 mm)
TMH-6000C TMH-6000PE	6 bar	124	7,6 kg	2 (13 x 36 mm)

*C = Cord control / P = Pendant control

DIMENSIONS IN MM

Model	A	B	C	D	E	F	H0	I
TMH-3000	537	314	189	125	265	311	50	34
TMH-6000	742	371	245	126	265	311	65	42

All measurements are in mm / Information subject to change without notice



PNEUMATIC CHAIN HOISTS

TNC-10TWL | TNC-15TW | TNC-20TW

HEAVY DUTY RANGE OF HOISTS FOR THE MOST DEMANDING APPLICATIONS

These RED ROOSTER TNC series 10-20 tonne Air Chain Hoists are especially developed for heavy industrial applications. Robust cast steel body. Standard with load limiter.

Standard features:

- Precise variable speed control (cord- and pendant control)
- Optimum control of the load, very precise positioning
- Compact design
- Mechanical endstop system
- Load limiter built-in without loss of headroom
- Cord control or pendant control

- Low noise level
- Air pressure 0,4 - 0,63 MPa (4 - 6,3 Bar)

Available options:

See page 7

Shackle version:

Low head room, low weight and simple assembly.

Recommended:

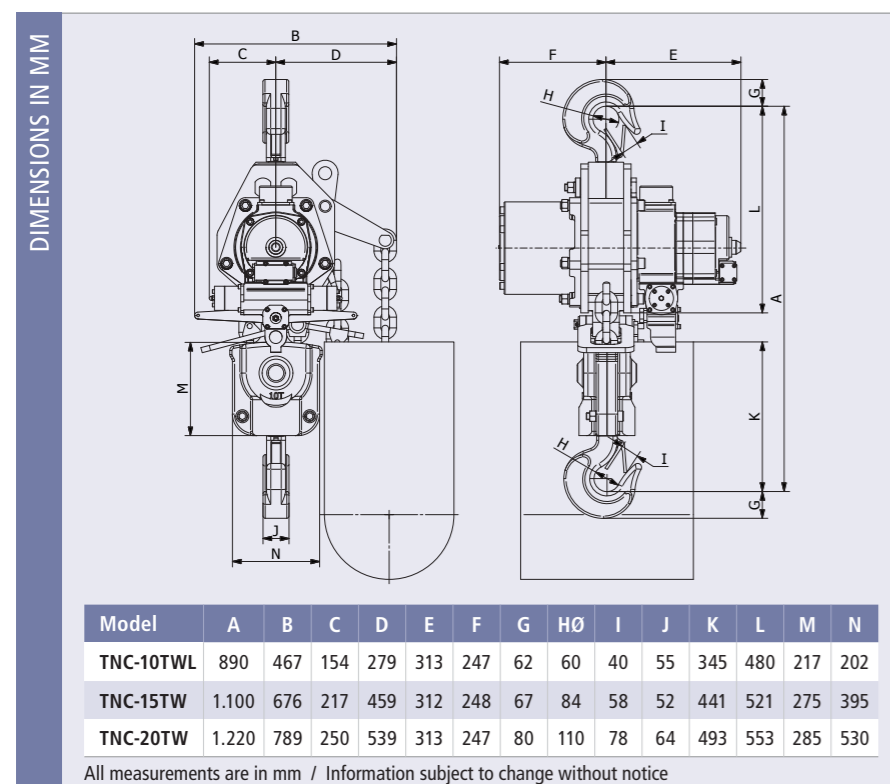
SMC air treatment unit: AC50-F10DM-8-B

Model*	WLL	Lifting speed with load	Lifting speed without load	Lowering speed with load
TNC-10TWALC TNC-10TWALPE	10.000 kg	1,5 m/min	2,5 m/min	2,3 m/min
TNC-15TWC3 TNC-15TWP3E	15.000 kg	1 m/min	1,6 m/min	1,5 m/min
TNC-20TWC4 TNC-20TWP4E	20.000 kg	0,75 m/min	1,25 m/min	1,15 m/min

Model*	Air consumption lifting	Air consumption lowering	Air connection	Minimum hose diam
TNC-10TWALC TNC-10TWALPE	90 l/sec	100 l/sec	1" BSPT	1" hose
TNC-15TWC3 TNC-15TWP3E	90 l/sec	100 l/sec	1" BSPT	1" hose
TNC-20TWC4 TNC-20TWP4E	90 l/sec	100 l/sec	1" BSPT	1" hose

Model*	Working pressure	Weight with 3m hol	Additional metre hol	Chain falls
TNC-10TWALC TNC-10TWALPE	6 bar	210 kg	11,4 kg	2 (16 x 45 mm)
TNC-15TWC3 TNC-15TWP3E	6 bar	320 kg	17,1 kg	3 (16 x 45 mm)
TNC-20TWC4 TNC-20TWP4E	6 bar	470 kg	22,8 kg	4 (16 x 45 mm)

*C = Cord control / P = Pendant control



PNEUMATIC CHAIN HOISTS

TNC-25TW | TNC-37.5TW

HEAVY DUTY RANGE OF HOISTS FOR THE MOST DEMANDING APPLICATIONS

These RED ROOSTER TNC series 25-37,5 tonne Air Chain Hoists are especially developed for heavy industrial applications. Robust cast steel body. Standard with load limiter.

Standard features:

- Precise variable speed control (cord- and pendant control)
- Optimum control of the load, very precise positioning
- Compact design
- Mechanical endstop system
- Load limiter built-in without loss of headroom
- Cord control or pendant control

- Low noise level
- Air pressure 0,4 - 0,63 MPa (4 - 6,3 Bar)

Available options:

See page 7

Shackle version:

Low head room, low weight and simple assembly.

Recommended:

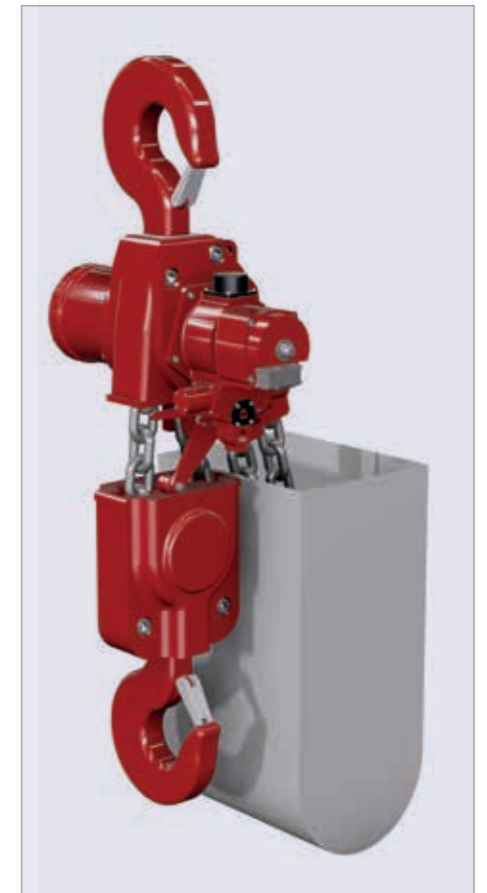
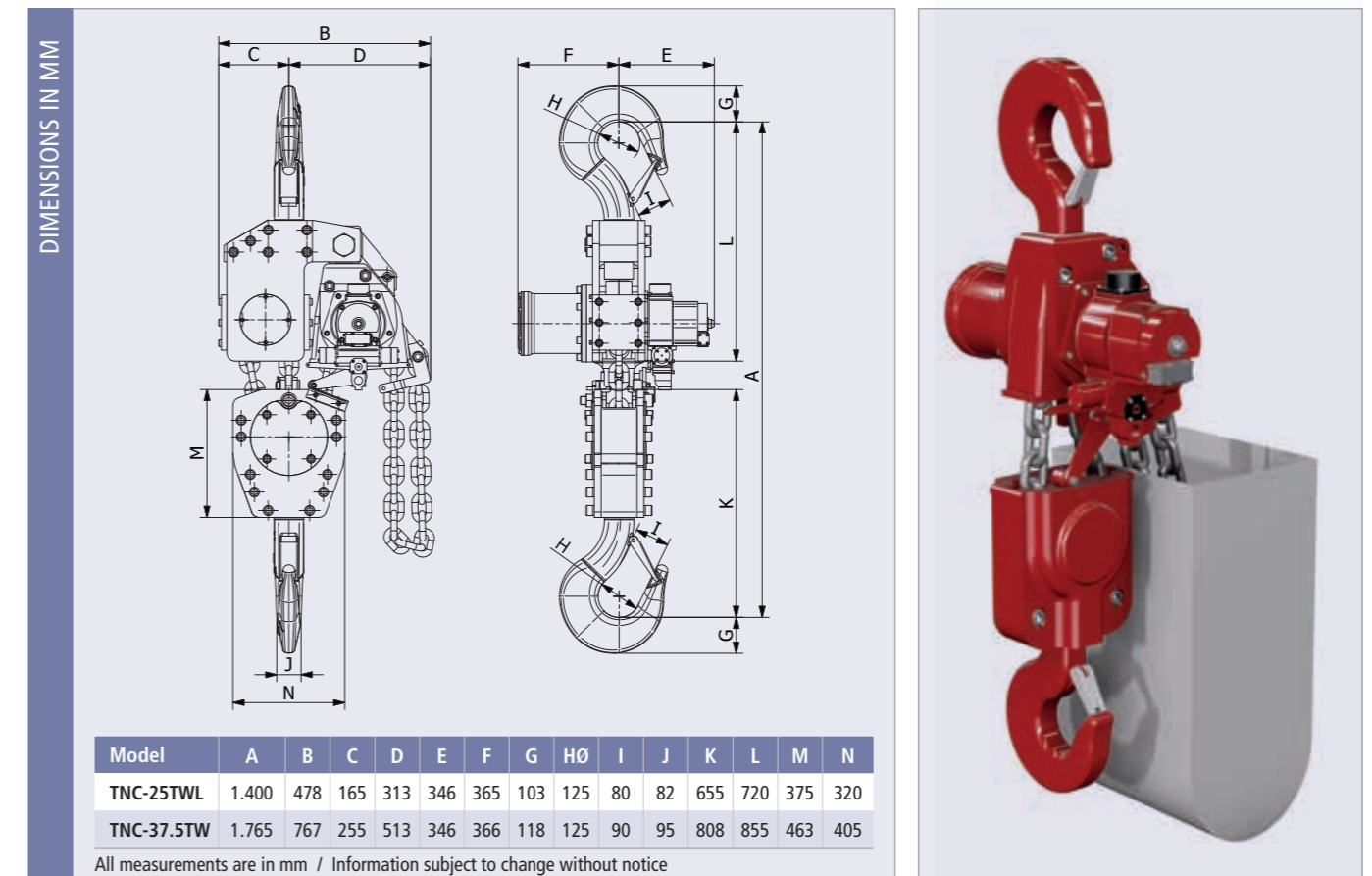
SMC air treatment unit: AC60-F10DM-8-B

Model*	WLL	Lifting speed with load	Lifting speed without load	Lowering speed with load
TNC-25TWLC TNC-25TWLPE	25.000 kg	0,5 m/min	1 m/min	0,7 m/min
TNC-37.5TWC3 TNC-37.5TWP3E	37.500 kg	0,35 m/min	0,6 m/min	0,5 m/min

Model*	Air consumption lifting	Air consumption lowering	Air connection	Minimum hose diam
TNC-25TWLC TNC-25TWLPE	120 l/sec	150 l/sec	1" BSPT	1" hose
TNC-37.5TWC3 TNC-37.5TWP3E	120 l/sec	150 l/sec	1" BSPT	1" hose

Model*	Working pressure	Weight with 3m hol	Additional metre hol	Chain falls
TNC-25TWLC TNC-25TWLPE	6 bar	490 kg	21,8 kg	2 (22 x 66 mm)
TNC-37.5TWC3 TNC-37.5TWP3E	6 bar	870 kg	32,7 kg	3 (22 x 66 mm)

*C = Cord control / P = Pendant control



PNEUMATIC CHAIN HOISTS

TNC-50TW | TNC-75TW WITH HOOKS

HEAVY DUTY RANGE OF HOISTS FOR THE MOST DEMANDING APPLICATIONS

These RED ROOSTER TNC series 50-75 tonne Air Chain Hoists are especially developed for heavy industrial applications. Robust cast steel body. Standard with load limiter.

- Low noise level
- Air pressure 0,4 - 0,63 MPa (4 - 6,3 Bar)

Available options:
See page 7

Recommended:
SMC air treatment unit: AC60-F10DM-8-B

Standard features:

- Precise variable speed control (cord- and pendant control)
- Optimum control of the load, very precise positioning
- Compact design
- Mechanical endstop system
- Load limiter built-in without loss of headroom
- Cord control or pendant control

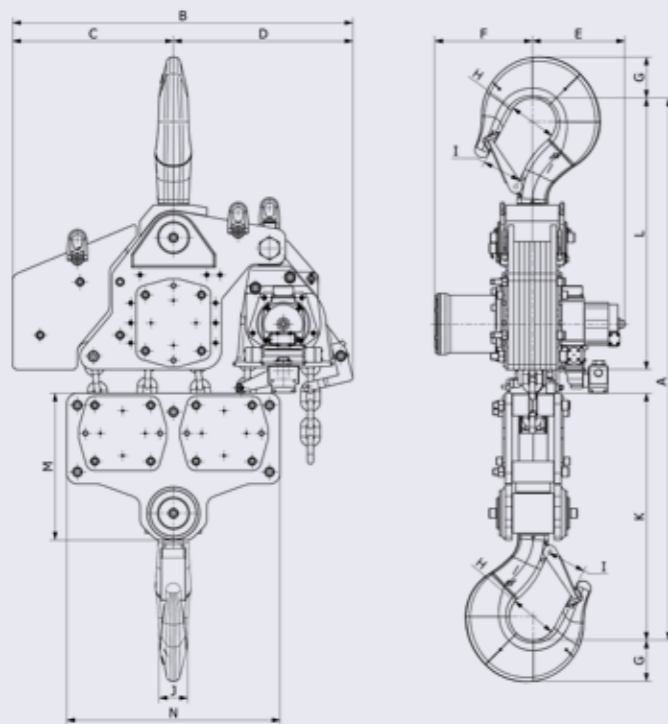
Model*	WLL	Lifting speed with load	Lifting speed without load	Lowering speed with load
TNC-50TWHC4 TNC-50TWHP4E	50.000 kg	0,25 m/min	0,4 m/min	0,35 m/min
TNC-75TWP(D)6E	75.000 kg	0,18 m/min	0,3 m/min	0,35 m/min

Model*	Air consumption lifting	Air consumption lowering	Air connection	Minimum hose diam
TNC-50TWHC4 TNC-50TWHP4E	120 l/sec	150 l/sec	1" BSPT	1" hose
TNC-75TWP(D)6E	120 l/sec	150 l/sec	1" BSPT	1" hose

Model*	Working pressure	Weight with 3m hol	Additional metre hol	Chain falls
TNC-50TWHC4 TNC-50TWHP4E	6 bar	1.110 kg	43,6 kg	4 (22 x 66 mm)
TNC-75TWP(D)6E	6 bar	1.500 kg	65,4 kg	6 (22 x 66 mm)

*C = Cord control / P = Pendant control

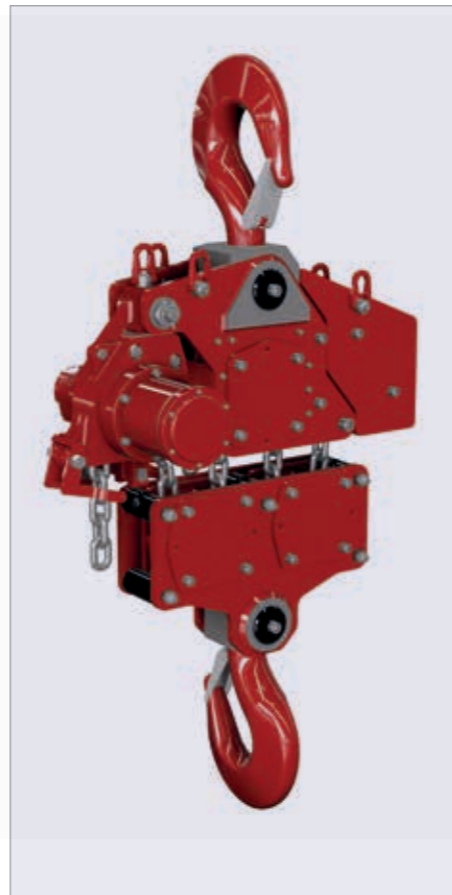
DIMENSIONS IN MM



Model	A	B	C	D	E	F	G	HØ	I	J	K	L	M	N
TNC-50TW	2.033	1.276	603	673	346	366	132	140	100	106	926	1.018	550	800

Dimensions of the TNC-75TWP(D)6E on request

All measurements are in mm / Information subject to change without notice



PNEUMATIC CHAIN HOISTS

TNC-50TW | TNC-75TWP(D)6E WITH SHACKLES

HEAVY DUTY RANGE OF HOISTS FOR THE MOST DEMANDING APPLICATIONS

These RED ROOSTER TNC series 50 tonne Air Chain Hoists are especially developed for heavy industrial applications. Robust cast steel body. Standard with load limiter. Capacity up to 100 tonne on request, such as: 40, 60 or 100 tonne.

- Low noise level
- Air pressure 0,4 - 0,63 MPa (4 - 6,3 Bar)

Available options:
See page 7

Shackle version:
Low head room, low weight and simple assembly.

Recommended:
SMC air treatment unit: AC60-F10DM-8-B

Standard features:

- Precise variable speed control (cord- and pendant control)
- Optimum control of the load, very precise positioning
- Compact design
- Mechanical endstop system
- Load limiter built-in without loss of headroom
- Cord control or pendant control

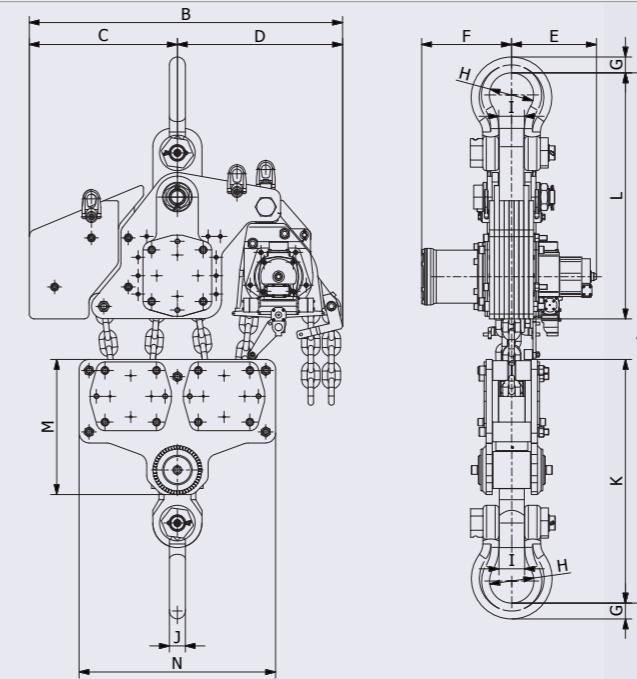
Model*	WLL	Lifting speed with load	Lifting speed without load	Lowering speed with load
TNC-50TWSHC4 TNC-50TWSHP4E	50.000 kg	0,25 m/min	0,4 m/min	0,35 m/min
TNC-75TWP(D)6E	75.000 kg	0,18 m/min	0,3 m/min	0,18 m/min

Model*	Air consumption lifting	Air consumption lowering	Air connection	Minimum hose diam
TNC-50TWSHC4 TNC-50TWSHP4E	90 l/sec	100 l/sec	1" BSPT	1" hose
TNC-75TWP(D)6E	90 l/sec	100 l/sec	1" BSPT	1" hose

Model*	Working pressure	Weight with 3m hol	Additional metre hol	Chain falls
TNC-50TWSHC4 TNC-50TWSHP4E	6 bar	1.110 kg	43,6 kg	4 (22 x 66 mm)
TNC-75TWP(D)6E	6 bar	1.500 kg	65,4 kg	6 (22 x 66 mm)

*C = Cord control / P = Pendant control

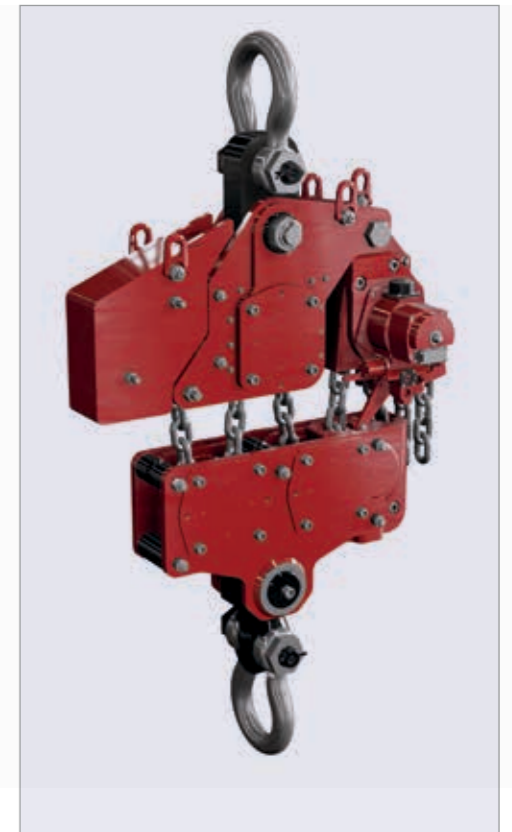
DIMENSIONS IN MM



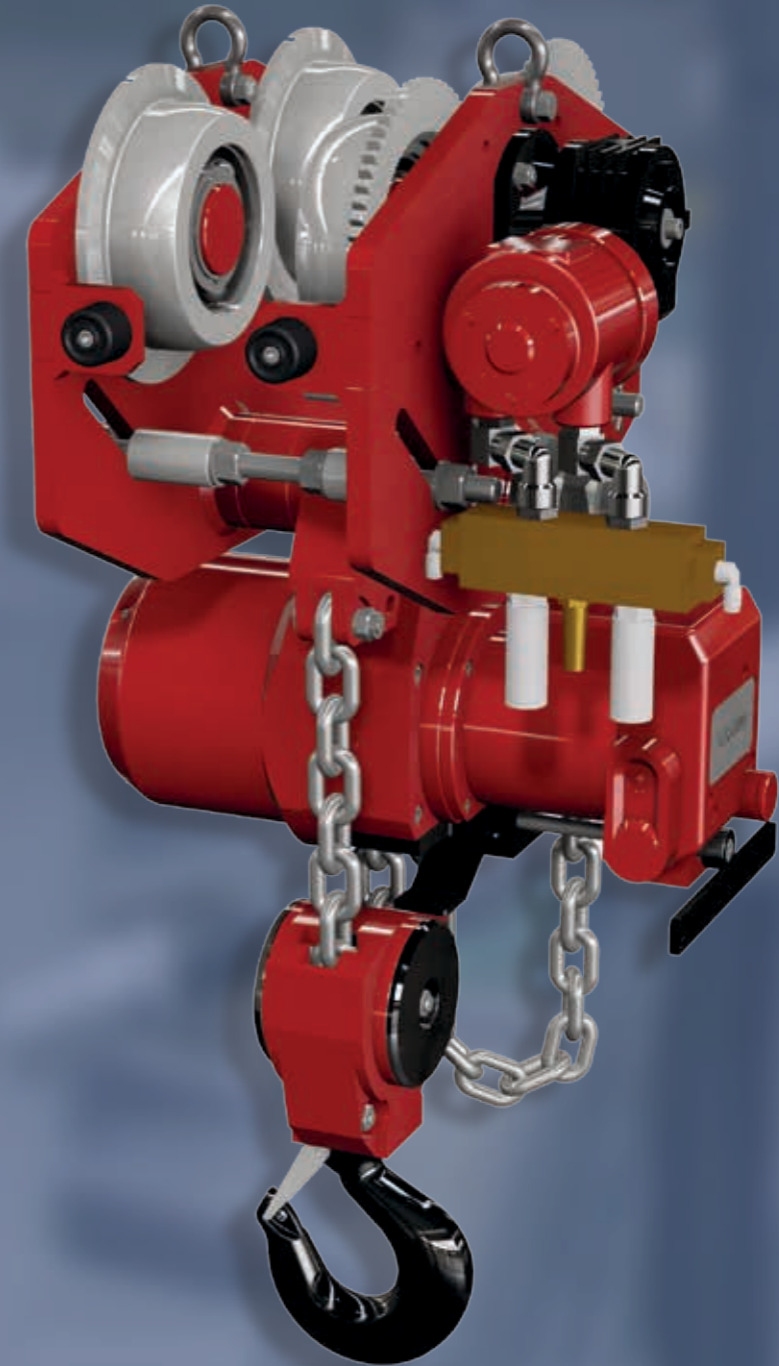
Model	A	B	C	D	E	F	G	HØ	I	J	K	L	M	N
TNC-50TWSH	2.160	1.276	603	673	346	366	65	180	105	65	990	1.000	550	800

Dimensions of the TNC-75TWP(D)6E on request

All measurements are in mm / Information subject to change without notice



PNEUMATIC HOIST & TROLLEY RANGE

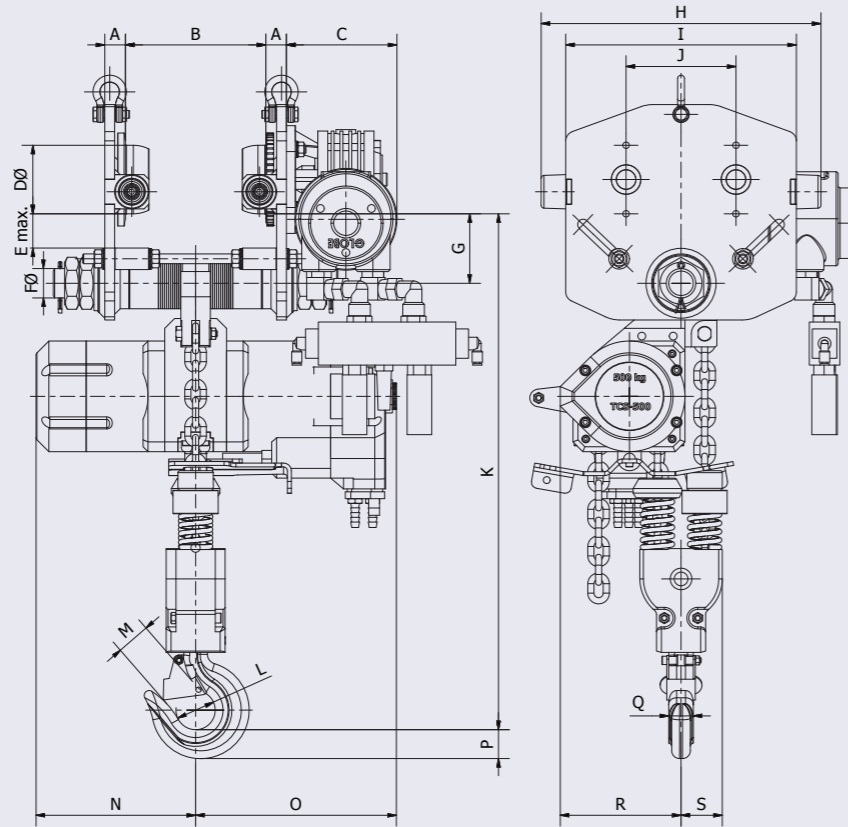


RED ROOSTER pneumatic hoists and trolleys comply with the European Machinery Directive and are CE marked.

PNEUMATIC CHAIN HOIST & TROLLEY

TCR-250-AT2S | TCR-500/2-AT2S | TCS-500-AT2S |
TCS-980-AT2S

DIMENSIONS IN MM



	TCR-250-AT2S	TCR-500/2-AT2S	TCS-500-AT2S	TCS-980-AT2S
A	21	21	21	21
B	TBC	TBC	TBC	TBC
C	135	135	135	135
D \emptyset	70	70	70	70
E	35	35	35	35
F \emptyset	35	35	35	35
G	71	71	71	71
H	285	285	285	285
I	235	235	235	235
J	112	112	112	112
K	350	390	450	530
L \emptyset	36	35	36	40
M	22	25	22	23
N	112	112	163	163
O	140	140	205	205
P	15	25	15	30
Q	20	18	20	25
R	70	87,5	100	123
S	22	32,5	18,5	42

All measurements are in mm / Information subject to change without notice

PNEUMATIC CHAIN HOIST & TROLLEY

TCR-250-AT2S | TCR-500/2-AT2S | TCS-500-AT2S |
TCS-980-AT2S

Type	TCR-250-AT2S	TCR-500/2-AT2S	TCS-500-AT2S	TCS-980-AT2S
WLL	250 kg	500 kg	500 kg	980 kg
Chain falls	1	2	1	2
Chain size	4 x 12	4 x 12	6,3 x 19,1	6,3 x 19,1
Lifting speed full load	9,3 m/min	4,6 m/min	17 m/min	8,5 m/min
Lifting speed without load	19 m/min	9,5 m/min	33 m/min	16 m/min
Air consumption (L/SEC)	13	13	28	28
Working pressure	6 Bar	6 Bar	6 bar	6 bar
Air connection	1/2" BSPT	1/2" BSPT	1/2" BSPT	1/2" BSPT
Minium hose diameter	1/2"	1/2"	1/2"	1/2"
Weight 3 m hol & trolley	32 kg	34 kg	41 kg	45 kg
Additional metre hol	0,35 kg	0,7 kg	0,8 kg	1,6 kg

Trolley model	AT2S	AT2S	AT2S	AT2S
Flange: Range 1	55-140	55-140	55-140	55-140
Flange: Range 2	140-220	140-220	140-220	140-220
Flange: Range 3	220-300	220-300	220-300	220-300
Standard trolley temp range	-10 to +50°C	-10 to +50°C	-10 to +50°C	-10 to +50°C
Optional trolley temp range	-20 to +70°C	-20 to +70°C	-20 to +70°C	-20 to +70°C
Standard travel speed	9 m/min	9 m/min	9 m/min	9 m/min
ATEX travel speed	6 m/min	6 m/min	6 m/min	6 m/min
Optional travel speed	14 m/min	14 m/min	14 m/min	14 m/min
Wheel material	Steel	Steel	Steel	Steel
ATEX wheel material	Bronze	Bronze	Bronze	Bronze
Minium bend radius (m)	1,5	1,5	1,5	1,5
Number of wheels	4	4	4	4
Driven wheels	2	2	2	2
Max. air consumption	25 l/sec	25 l/sec	25 l/sec	25 l/sec
Hose ID trolley	1/2"	1/2"	1/2"	1/2"

Recommended SMC air treatment unit:

TCR-250-AT2S & TCR-500-AT2S: AC30-F03DM-8-B

TCS-500-AT2S & TCS-980-AT2S: AC40-F04DM-8-B

STANDARD FEATURES

- TOKU rotary vane motor
- Robust planetary gearbox
- Failsafe automatic internal disc brake
- Choice of pendant controls or control stations
- Upper & lower limit switches
- Lightweight aluminum housing
- Internal silencing down to 80 dB(A)
- Alloy safety swivel hooks with safety catch
- Load chain of European manufacture to EN818-7
- Trolley to suit various flange profiles
- Anti-tilt & anti-drop plates
- High efficiency motor gearbox
- Heavy duty sealed wheel bearings
- Wheel profile to suit parallel or tapered flanges

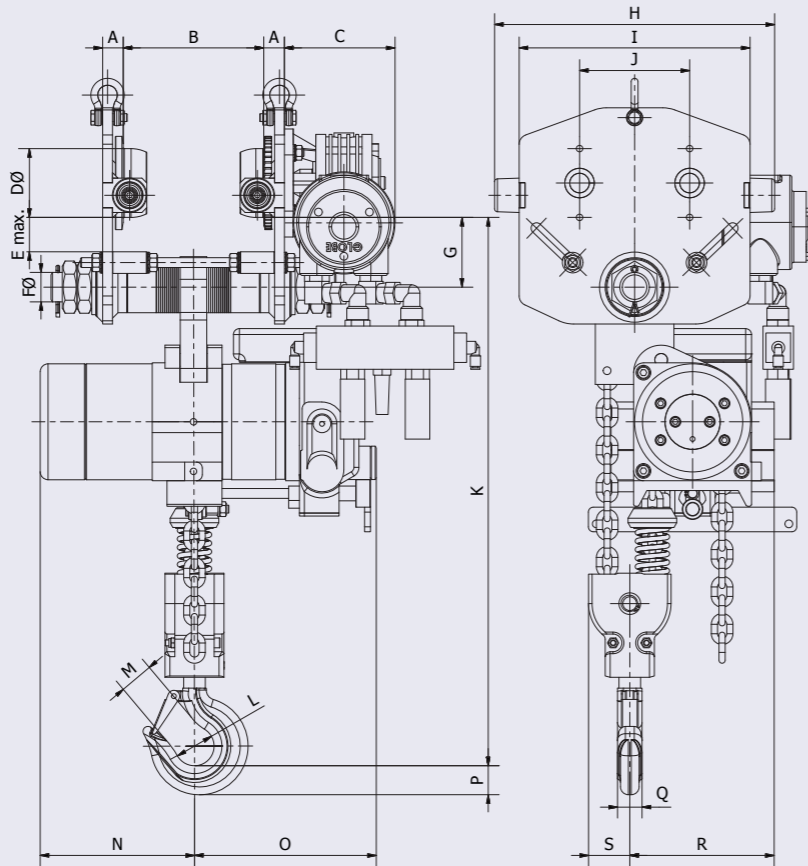
AVAILABLE OPTIONS

- Marine specification
- Special paint systems
- Collision bumpers
- ATEX specification cat. IIB & IIC
- Chain collectors (PVC, galvanised or stainless steel)
- Articulated trolley
- Low headroom units
- Rack & pinion drive
- Travel limits
- Air service units
- Festoon systems
- Radio control remote
- Optional travel speeds
- Beam brake

PNEUMATIC CHAIN HOIST & TROLLEY

TCR-500-AT2S | TCR-1000/2-AT2S | TCR-1000-AT2S |
TCR-2000/2-AT2S

DIMENSIONS IN MM



	TCR-500-AT2S	TCR-1000/2-AT2S	TCR-1000-AT2S	TCR-2000/2-AT2S
A	21	21	21	21
B	TBC	TBC	TBC	TBC
C	135	135	135	135
DØ	70	70	70	70
E	35	35	35	35
FØ	35	35	35	35
G	71	71	71	71
H	285	285	285	285
I	235	235	235	235
J	112	112	112	112
K	525	560	525	645
LØ	40	40	40	45
M	29	29	29	29
N	156	156	156	155
O	186	186	186	185
P	29,5	29,5	29,5	37
Q	25	25	25	30
R	113	147	116	140
S	20	42	23	55

All measurements are in mm / Information subject to change without notice

PNEUMATIC CHAIN HOIST & TROLLEY

TCR-500-AT2S | TCR-1000/2-AT2S | TCR-1000-AT2S |
TCR-2000/2-AT2S

Type	TCR-500-AT2S	TCR-1000/2-AT2S	TCR-1000-AT2S	TCR-2000/2-AT2S
WLL	250 kg / 500 kg	1.000 kg	1.000 kg	2.000 kg
Chain falls	1	2	1	2
Chain size	6,3 x 19,1	6,3 x 19,1	7,1 x 21	7,1 x 21
Lifting speed full load	12 / 10,5 m/min	5,3 m/min	6 m/min	3 m/min
Lifting speed without load	16 m/min	9,5 m/min	11,3 m/min	5,7 m/min
Air consumption (L/SEC)	25	25	25	25
Working pressure	6 bar	6 bar	6 bar	6 bar
Air connection	1/2" BSPT	1/2" BSPT	1/2" BSPT	1/2" BSPT
Minium hose diameter	1/2"	1/2"	1/2"	1/2"
Weight 3 m hol & trolley	59 kg	62 kg	61 kg	67 kg
Additional metre hol	0,8 kg	1,6 kg	1,1 kg	2,2 kg

Trolley model	AT2S	AT2S	AT2S	AT2S
Flange: Range 1	55 - 140	55 - 140	55 - 140	55 - 140
Flange: Range 2	140 - 220	140 - 220	140 - 220	140 - 220
Flange: Range 3	220 - 300	220 - 300	220 - 300	220 - 300
Standard trolley temp range	-10 to +50°C	-10 to +50°C	-10 to +50°C	-10 to +50°C
Optional trolley temp range	-20 to +70°C	-20 to +70°C	-20 to +70°C	-20 to +70°C
Standard travel speed	9 m/min	9 m/min	9 m/min	9 m/min
ATEX travel speed	6 m/min	6 m/min	6 m/min	6 m/min
Optional travel speed	14 m/min	14 m/min	14 m/min	14 m/min
Wheel material	Steel	Steel	Steel	Steel
ATEX wheel material	Bronze	Bronze	Bronze	Bronze
Minium bend radius (m)	1,5	1,5	1,5	1,5
Number of wheels	4	4	4	4
Driven wheels	2	2	2	2
Max. air consumption	25 l/sec	25 l/sec	25 l/sec	25 l/sec
Hose ID trolley	1/2"	1/2"	1/2"	1/2"

Recommended SMC air treatment unit: AC40-F04DM-8-B

STANDARD FEATURES

- TOKU rotary vane motor
- Robust planetary gearbox
- Failsafe automatic internal disc brake
- Choice of pendant controls or control stations
- Upper & lower limit switches
- Cast steel housing
- Internal silencing down to 80 dB(A)
- Alloy safety swivel hooks with safety catch
- Load chain of European manufacture to EN818-7
- Automatic, adjustable load limiter
- Trolley to suit various flange profiles
- Anti-tilt & anti-drop plates
- High efficiency motor gearbox
- Heavy duty sealed wheel bearings
- Wheel profile to suit parallel or tapered flanges

AVAILABLE OPTIONS

- Marine specification
- Special paint systems
- Collision bumpers
- ATEX specification cat. IIB & IIC
- Chain collectors (PVC, galvanised or stainless steel)
- Articulated trolley
- Low headroom units
- Rack & pinion drive
- Travel limits
- Air service units
- Festoon systems
- Radio control remote
- Optional travel speeds
- Beam brake

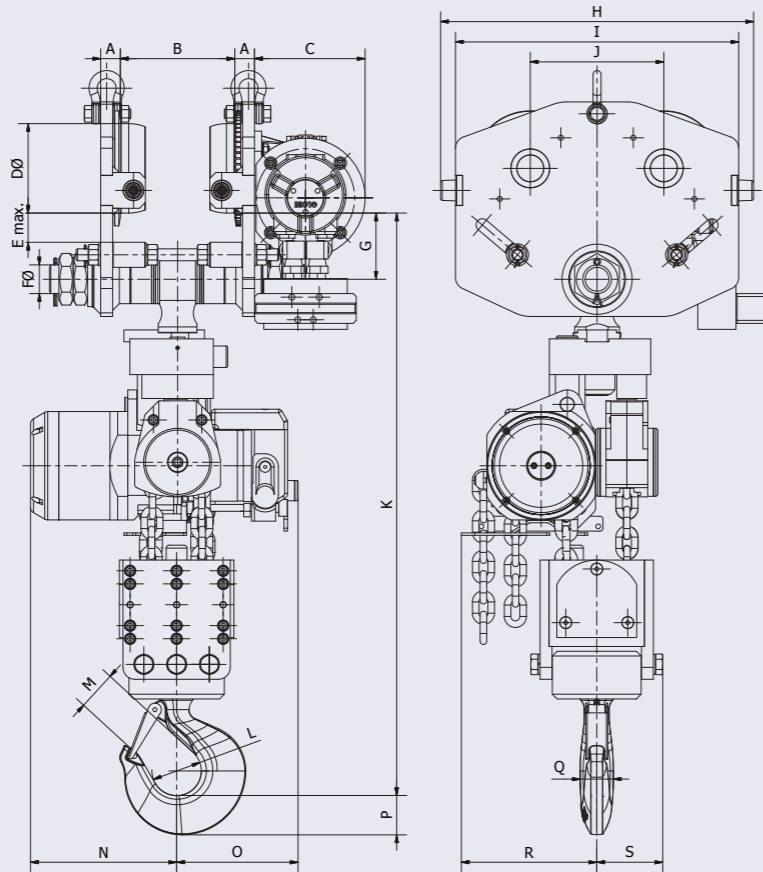
PNEUMATIC CHAIN HOIST & TROLLEY

TCR-3000-AT3S | TCR-6000/2-AT6S | TCR-9000/3-AT10S |
TCR-12000/4-AT10S | TCR-15000/5-AT15

PNEUMATIC CHAIN HOIST & TROLLEY

TCR-3000-AT3S | TCR-6000/2-AT6S | TCR-9000/3-AT10S |
TCR-12000/4-AT10S | TCR-15000/5-AT15S

DIMENSIONS IN MM



	TCR-3000-AT3S	TCR-6000/2-AT6S	TCR-9000/3-AT10S	TCR-12000/4-AT10S	TCR-15000/5-AT15S
A	24	28	33	33	40
B	TBC	TBC	TBC	TBC	TBC
C	135	115	185	185	215
DØ	100	150	150	150	180
E	38	45	50	50	50
FØ	40	50	55	55	60
G	85	102	111	111	115
H	390	515	525	525	590
I	340	465	475	475	540
J	160	224	224	224	250
K	625	765	935	985	940
LØ	50	65	75	84	84
M	34	42	53	58	58
N	200	200	205	245	240
O	240	250	245	205	205
P	45	49	60	67	67
Q	35	42	43	52	52
R	135	180	270	230	295
S	31	72	120	110	125

All measurements are in mm / Information subject to change without notice

Type	TCR-3000-AT3S	TCR-6000/2-AT6S	TCR-9000/3-AT10S	TCR-12000/4-AT10S	TCR-15000/5-AT15S
WLL	3.000 kg	6.000 kg	9.000 kg	12.000 kg	15.000 kg
Chain falls	1	2	3	4	5
Chain size	11,2 x 34	11,2 x 34	11,2 x 34	11,2 x 34	11,2 x 34
Lifting speed full load	2,8 m/min	1,4 m/min	0,9 m/min	0,6 m/min	0,5 m/min
Lifting speed without load	5,7 m/min	2,9 m/min	1,9 m/min	1,4 m/min	1,1 m/min
Air consumption (L/SEC)	33	33	33	33	33
Working pressure	6 Bar	6 Bar	6 bar	6 bar	6 bar
Air connection	3/4" BSPT	3/4" BSPT	3/4" BSPT	3/4" BSPT	3/4" BSPT
Minium hose diameter	3/4"	3/4"	3/4"	3/4"	3/4"
Weight 3 m hol & trolley	110 kg	153 kg	290 kg	310 kg	360 kg
Additional metre hol	2,7 kg	5,4 kg	8,1 kg	10,8 kg	13,5 kg

Trolley model	AT3S	AT6S	AT10S	AT10S	AT15S
Flange: Range 1	80-160	90-160	110-180	110-180	110-180
Flange: Range 2	160-230	160-230	180-240	180-240	180-240
Flange: Range 3	260-300	230-300	240-300	240-300	240-300
Standard trolley temp range	-10 to +50°C	-10 to +50°C	-10 to +50°C	-10 to +50°C	-10 to +50°C
Optional trolley temp range	-20 to +70°C	-20 to +70°C	-20 to +70°C	-20 to +70°C	-20 to +70°C
Travel speed (M/MIN)	6*	6*	8	8	6
Wheel material	Steel	Steel	Steel	Steel	Steel
ATEX wheel material	Bronze	Bronze	Bronze	Bronze	Bronze
Minium bend radius (M)	2,5	2,5	2,5	3	3
Number of wheels	4	4	4	4	4
Driven wheels	2	2	2	2	2
Max air consumption	25 l/sec	25 l/sec	40 l/sec	40 l/sec	40 l/sec
Hose ID trolley	3/4"	3/4"	3/4"	3/4"	1"

Recommended:

SMC air treatment unit: AC40-F04DM-8-B

STANDARD FEATURES

- TOKU rotary vane motor
- Robust planetary gearbox
- Failsafe automatic internal disc brake
- Choice of pendant controls or control stations
- Upper & lower limit switches
- Cast steel housing
- Internal silencing down to 80 dB(A)
- Alloy safety swivel hooks with safety catch
- Load chain of European manufacture to EN818-7
- Automatic, adjustable load limiter
- Trolley to suit various flange profiles
- Anti-tilt & anti-drop plates
- High efficiency motor gearbox
- Heavy duty sealed wheel bearings
- Wheel profile to suit parallel or tapered flanges

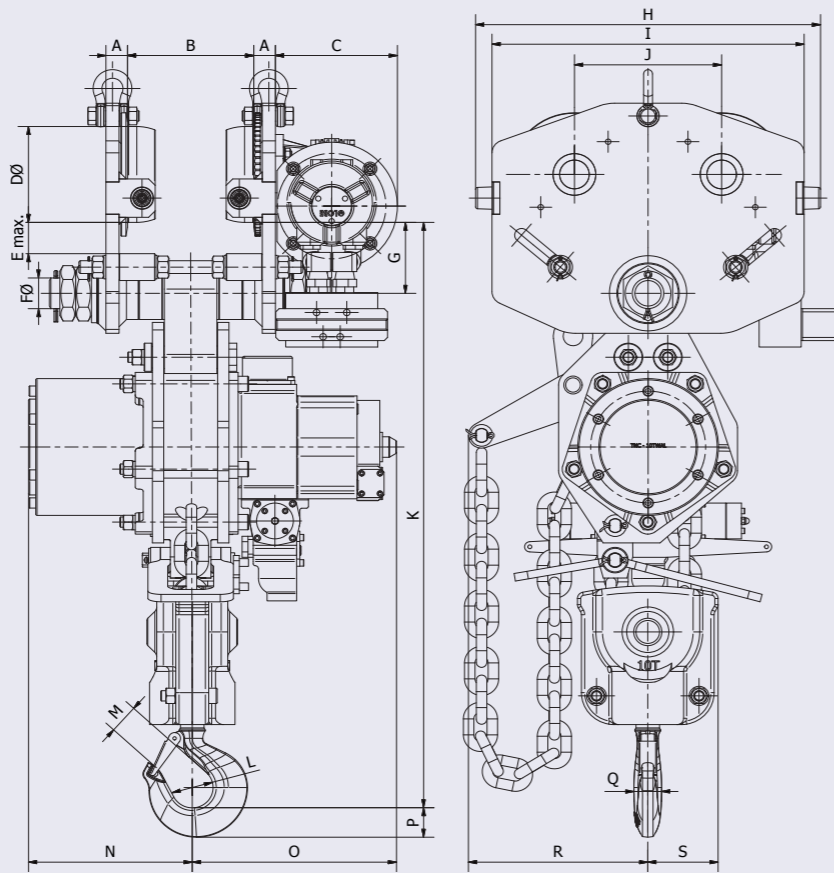
AVAILABLE OPTIONS

- Marine specification
- Special paint systems
- Collision bumpers
- ATEX specification cat. IIB & IIC
- Chain collectors (PVC, galvanised or stainless steel)
- Articulated trolley
- Low headroom units
- Rack & pinion drive
- Travel limits
- Air service units
- Festoon systems
- Radio control remote
- Optional travel speeds
- Beam brake

PNEUMATIC CHAIN HOIST & TROLLEY

TNC-10TW-AT10S | TNC-15TW/3-AT15S | TNC-20TW/4-AT25S |
TNC-25TW-AT25S

DIMENSIONS IN MM



	TNC-10TW-AT10S	TNC-15TW/3-AT15S	TNC-20TW/4-AT25S	TNC-25TW-AT25S
A	33	40	53	53
B	TBC	TBC	TBC	TBC
C	185	215	215	215
DØ	150	180	240	240
E	50	50	55	55
FØ	55	60	80	80
G	111	115	135	135
H	525	590	910	910
I	475	540	860	860
J	224	250	400	401
K	975	1.175	1.265	1.480
LØ	60	84	110	125
M	40	58	78	80
N	250	250	245	365
O	310	310	315	345
P	62	67	80	103
Q	55	52	64	82
R	255	465	535	315
S	107	197	265	165

All measurements are in mm / Information subject to change without notice

PNEUMATIC CHAIN HOIST & TROLLEY

TNC-10TW-AT10S | TNC-15TW/3-AT15S | TNC-20TW/4-AT25S |
TNC-25TW-AT25S

Type	TNC-10TW-AT10S	TNC-15TW/3-AT15S	TNC-20TW/4-AT25S	TNC-25TW-AT25S
WLL	10.000 kg	15.000 kg	20.000 kg	25.000 kg
Chain falls	2	3	4	2
Chain size	16 x 45	16 x 45	16 x 45	22 x 66
Lifting speed full load	1,5 m/min	1 m/min	0,85 m/min	0,6 m/min
Lifting speed without load	2,5 m/min	1,6 m/min	1,25 m/min	1,0 m/min
Air consumption (L/SEC)	90	90	90	90
Working pressure	6 bar	6 bar	6 bar	6 bar
Air connection	1" BSPT	1" BSPT	1" BSPT	1" BSPT
Minium hose diameter	1"	1"	1"	1"
Weight 3 m hol & trolley	350 kg	470 kg	670 kg	880 kg
Additional metre hol	11,4 kg	17,1 kg	22,8 kg	21,8 kg

Trolley model	AT10S	AT15S	AT25S	AT25S
Flange: Range 1	110-180	110-180	130-200	130-200
Flange: Range 2	180-240	180-240	200-260	200-260
Flange: Range 3	240-300	240-300	260-320	260-320
Standard trolley temp range	-10 to +50°C	-10 to +50°C	-10 to +50°C	-10 to +50°C
Optional trolley temp range	-20 to +70°C	-20 to +70°C	-20 to +70°C	-20 to +70°C
Travel speed (M/MIN)	8	6	4	4
Wheel material	Steel	Steel	Steel	Steel
ATEX wheel material	Bronze	Bronze	Bronze	Bronze
Minium bend radius (M)	2,5	3	3	3
Number of wheels	4	4	4	4
Driven wheels	2	2	2	2
Max air consumption	40 l/sec	40 l/sec	40 l/sec	40 l/sec
Hose ID trolley	1"	1"	1"	1"

Recommended:

SMC air treatment unit: AC60-F10DM-8-B

STANDARD FEATURES

- TOKU rotary vane motor
- Robust planetary gearbox
- Failsafe automatic internal disc brake
- Choice of pendant controls or control stations
- Upper & lower limit switches
- Cast steel housing
- Internal silencing down to 80 dB(A)
- Alloy safety swivel hooks with safety catch
- Load chain of European manufacture to EN818-7
- Automatic, adjustable load limiter
- Trolley to suit various flange profiles
- Anti-tilt & anti-drop plates
- High efficiency motor gearbox
- Heavy duty sealed wheel bearings
- Wheel profile to suit parallel or tapered flanges

AVAILABLE OPTIONS

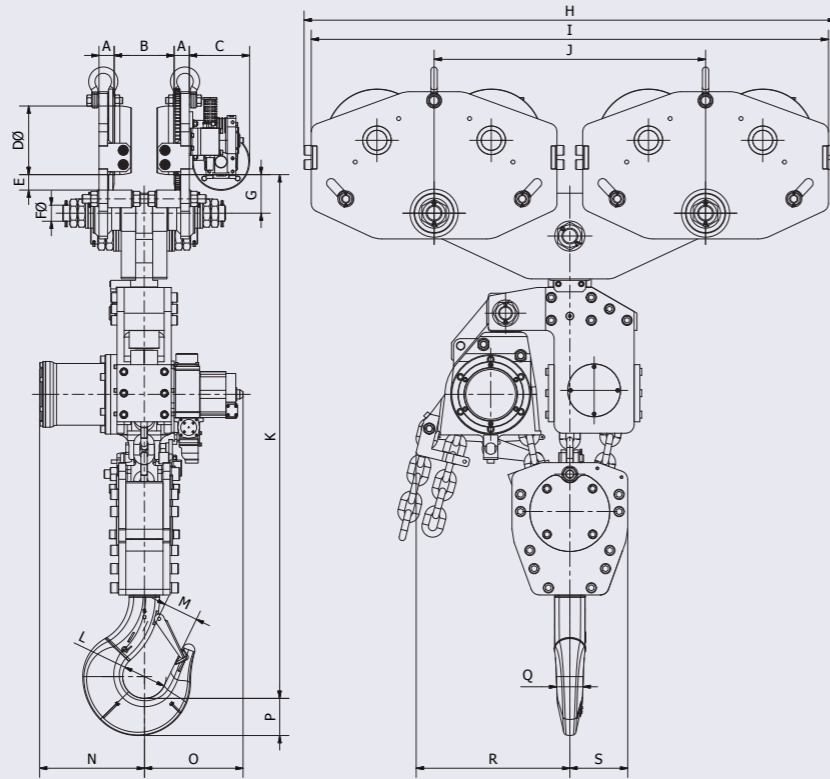
- Marine specification
- Special paint systems
- Collision bumpers
- ATEX specification cat. IIB & IIC
- Chain collectors (PVC, galvanised or stainless steel)
- Articulated trolley
- Low headroom units
- Rack & pinion drive
- Travel limits
- Air service units
- Festoon systems
- Radio control remote
- Optional travel speeds
- Beam brake

PNEUMATIC CHAIN HOIST & TROLLEY

TNC-25TW-AT25-2S | TNC-37,5TW-AT37,5-2S
TNC-50TW/4-AT50-2S



DIMENSIONS IN MM



	TNC-25TW-AT25-2S	TNC-37.5TW-AT37.5-2S	TNC-50TW/4-AT50-2S
A	40	53	53
B	TBC	TBC	TBC
C	215	211	211
DØ	180	240	240
E	50	55	55
FØ	60	80	80
G	115	135	135
H	1.190	1.860	1.860
I	1.140	1.810	1.810
J	600	950	950
K	1.550	1.805	2.000
LØ	125	125	140
M	80	90	100
N	345	366	366
O	365	346	346
P	103	118	132
Q	82	95	106
R	165	538	673
S	315	202,5	400

All measurements are in mm / Information subject to change without notice

PNEUMATIC CHAIN HOIST & TROLLEY

TNC-25TW-AT25-2S | TNC-37,5TW-AT37,5-2S
TNC-50TW/4-AT50-2S

Type	TNC-25TW-AT25-2S	TNC-37.5TW-AT37.5-2S	TNC-50TW/4-AT50-2S
WLL	25.000 kg	37.500 kg	50.000 kg
Chain falls	2	3	4
Chain size	22 x 66	22 x 66	22 x 66
Lifting speed full load	0,6 m/min	0,4 m/min	0,3 m/min
Lifting speed without load	1 m/min	0,6 m/min	0,45 m/min
Air consumption (L/SEC)	90	90	90
Working pressure	6 bar	6 bar	6 bar
Air connection	1" BSPT	1" BSPT	1" BSPT
Minium hose diameter	1"	1"	1"
Weight 3 m hol & trolley	910 kg	1.380 kg	1.900 kg
Additional metre hol	21,8 kg	32,7 kg	43,6 kg

Trolley model	AT25-2S	AT37.5-2S	AT50-2S
Flange: Range 1	200 - 260	205 - 260	205 - 260
Flange: Range 2	260 - 320	260 - 320	260 - 320
Standard trolley temp range	-10 to +50°C	-10 to +50°C	-10 to +50°C
Optional trolley temp range	-20 to +70°C	-20 to +70°C	-20 to +70°C
Travel speed (M/MIN)	6	4	4
Wheel material	Steel	Steel	Steel
ATEX wheel material	Bronze	Bronze	Bronze
Minium bend radius (M)	Straight only	Straight only	Straight only
Number of wheels	8	8	8
Driven wheels	4	4	4
Max air consumption	80 l/sec	80 l/sec	80 l/sec
Hose ID trolley	1"	1,25"	1,25"

Recommended:

SMC air treatment unit: AC60-F10DM-8-B

STANDARD FEATURES

- TOKU rotary vane motor
- Robust planetary gearbox
- Failsafe automatic internal disc brake
- Choice of pendant controls or control stations
- Upper & lower limit switches
- Cast steel housing
- Internal silencing down to 80 dB(A)
- Alloy safety swivel hooks with safety catch
- Load chain of European manufacture to EN818-7
- Automatic, adjustable load limiter
- Trolley to suit various flange profiles
- Anti-tilt & anti-drop plates
- High efficiency motor gearbox
- Heavy duty sealed wheel bearings
- Wheel profile to suit parallel or tapered flanges

AVAILABLE OPTIONS

- Marine specification
- Special paint systems
- Collision bumpers
- ATEX specification cat. IIB & IIC
- Chain collectors (PVC, galvanised or stainless steel)
- Articulated trolley
- Low headroom units
- Rack & pinion drive
- Travel limits
- Air service units
- Festoon systems
- Radio control remote
- Optional travel speeds
- Beam brake

SECTION 6

PNEUMATIC LOW HEADROOM HOIST & TROLLEY RANGE



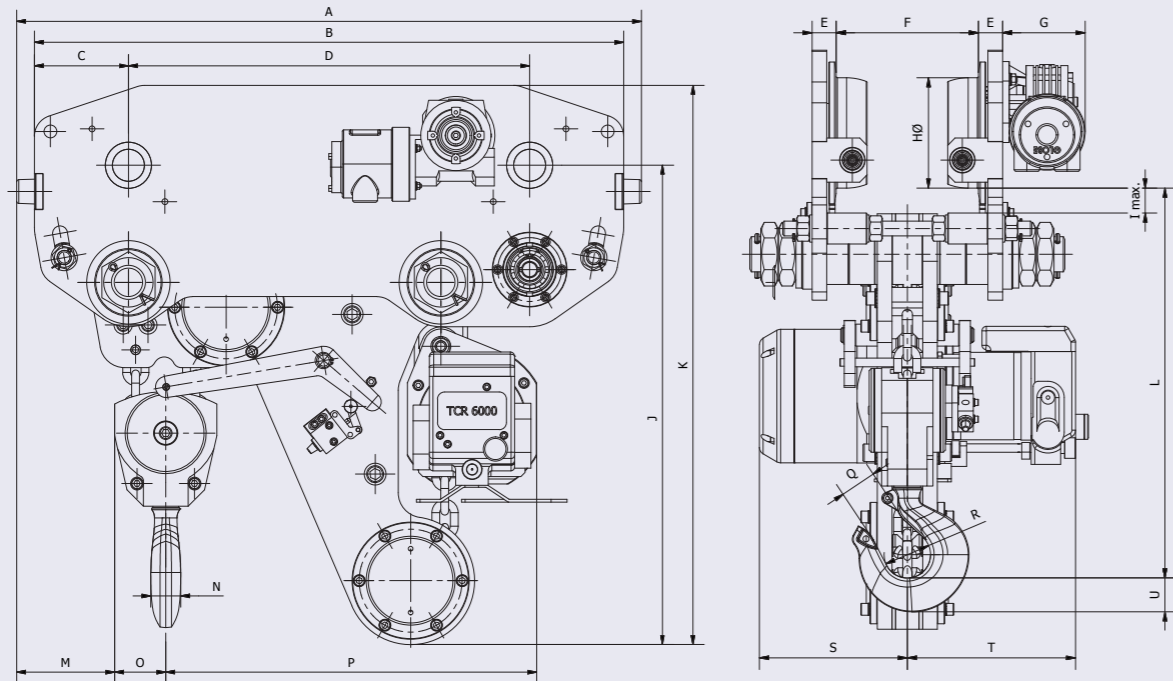
A comprehensive range of quality pneumatic hoists built into low headroom trolley frames suitable for industrial, marine and off-shore environments. With our in-house design team and manufacturing facilities, we can build special units to meet your requirements, such as big bag handling hoists and ultra low headroom units.

RED ROOSTER pneumatic hoists & trolleys comply with the European Machinery Directive and are CE marked.

PNEUMATIC LOW HEADROOM

TCR-500-LHR | TCR-1000/2-LHR | TCR-1000-LHR | TCR-2000-LHR
TCR-3000-LHR | TCR-6000-LHR | TCR-12000-LHR

DIMENSIONS IN MM



Model	A	B	C	D	E	F	G	HØ	I	J	K
TCR-500-LHR	570	520	115	340	21	TBC	135	70	30	480	590
TCR-1000/2-LHR	570	520	115	340	21	TBC	135	70	30	480	590
TCR-1000-LHR	570	520	115	340	21	TBC	135	70	30	480	590
TCR-2000-LHR	570	520	115	340	21	TBC	135	70	30	480	590
TCR-3000-LHR	880	830	132,5	565	33	TBC	115	150	35	675	790
TCR-6000-LHR	880	830	132,5	565	33	TBC	115	150	35	675	790
TCR-12000-LHR	1.050	1.000	132,5	735	33	TBC	185	150	50	695	810

Model	L	M	N	O	P	Q	RØ	S	T	U	-
TCR-500-LHR	340	180	25	20	295	30	40	186	156	30	-
TCR-1000/2-LHR	375	135	25	42	320	30	40	186	156	30	-
TCR-1000-LHR	340	180	25	20	296	29	40	177	157	30	-
TCR-2000-LHR	390	125	30	53	320	28	40	175	160	40	-
TCR-3000-LHR	400	215	37	38,5	480	37	50	202	230	47	-
TCR-6000-LHR	495	138	37	72	525	43	62	202	230	49	-
TCR-12000-LHR	600	95	52	200	605	58	84	202	230	67	-

All measurements are in mm / Information subject to change without notice

PNEUMATIC LOW HEADROOM

TCR-500-LHR | TCR-1000/2-LHR | TCR-1000-LHR | TCR-2000-LHR
TCR-3000-LHR | TCR-6000-LHR | TCR-12000-LHR

With the LHR series we have a range of trolleys for those applications where a standard trolley headroom is too large.

With this special version the hoist is built into the frame of the trolley to decrease the distance of the lower hook to the beam to an absolute minimum.

Standard features:

- State of the art with new drive motor for the trolley
- Low maintenance and wearing of the drive motor through less parts
- Accurate speed control at lifting and lowering
- Accurate speed control of the trolley
- Adjustable to a range of beam sizes

The low head room trolleys are available as standard version (order- number LHATP...) or as spark resistant version with bronze wheels, bronze coated hooks for explosion dangerous areas (order number LHATPSR) with ATEX certificate.

Optional

- Rack and pinion drive
- Marine paint (with certificate)
- ATEX specifications group II2 & II3

Recommended:

SMC air treatment unit: AC40-F04DM-8-B

Type	TCR-500-LHR	TCR-1000/2-LHR	TCR-1000-LHR	TCR-2000-LHR	TCR-3000-LHR	TCR-6000-LHR	TCR-12000-LHR
WLL	500 kg	1.000 kg	1.000 kg	2.000 kg	3.000 kg	6.000 kg	12.000 kg
Chain falls	1	2	1	2	1	2	4
Chain size mm	6,3 x 19,1	6,3 x 19,1	7,1 x 21	7,1 x 21	11,2 x 34	11,2 x 34	11,2 x 34
Lifting speed full load	10,5	5,3	6	3	2,8	1,4	0,6
Lifting speed without full load (m/min)	16	9,5	11,3	5,7	5,7	2,9	1,4
Lowering speed full load (m/min)	17,9	9	10,3	5,2	4,6	2,3	1,1
Travel speed (m/min)	9	9	9	9	6	6	8
Hoist air consumption (l/sec)	25	25	25	25	33	33	33
Trolley air consumption (l/sec)	25	25	25	25	25	25	50
Inlet connection	0,5"	0,5"	0,5"	0,5"	0,75"	0,75"	1"
Weight with 3h hol	85 kg	90 kg	90 kg	105 kg	295 kg	310 kg	400 kg
Additional metre hol	0,8 kg	1,6 kg	1,1 kg	2,2 kg	2,7 kg	5,4 kg	10,8 kg
Flange minium (mm)	60	60	60	60	110	110	110
Flange maximum (mm)	300	300	300	300	300	300	300

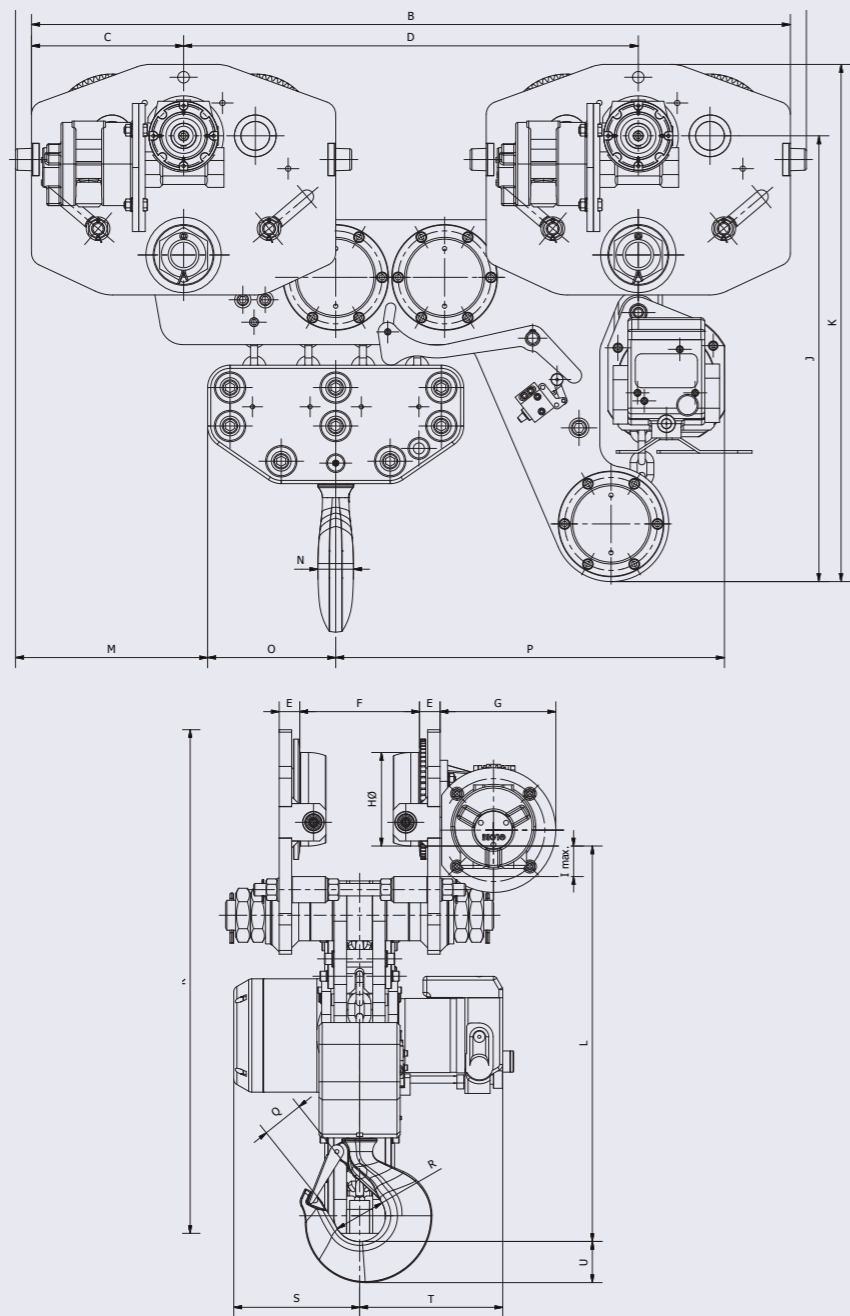
All measurements are in mm / Information subject to change without notice



PNEUMATIC LOW HEADROOM

TNC-10/2-LHR | TCR-12/4-LHR | TNC-15/3-LHR | TNC-20/4-LHR

DIMENSIONS IN MM



Model	A	B	C	D	E	F	G	HØ	I	J	K
TNC-10/2-LHR	1.270	1.220	237,5	745	33	TBC	185	150	50	865	980
TCR-12/4-LHR	1.235	1.185	237,5	710	33	TBC	185	150	50	695	810
TNC-15/3-LHR	1.380	1.330	237,5	855	33	TBC	185	150	50	865	980
TNC-20/4-LHR	1.375	1.325	270	785	40	TBC	215	180	50	780	925

Model	L	M	N	O	P	Q	RØ	S	T	U	-
TNC-10/2-LHR	615	395	55	110	640	40	60	245	315	62	-
TCR-12/4-LHR	600	300	52	200	605	58	84	200	230	67	-
TNC-15/3-LHR	670	367,5	52	190	700	58	84	245	315	67	-
TNC-20/4-LHR	750	315	64	265	800	78	110	245	315	80	-

All measurements are in mm / Information subject to change without notice

PNEUMATIC LOW HEADROOM

TNC-10/2-LHR | TCR-12/4-LHR | TNC-15/3-LHR | TNC-20/4-LHR

With the LHR series we have a range of trolleys for those applications where a standard trolley headroom is too large.

With this special version the hoist is built into the frame of the trolley to decrease the distance of the lower hook to the beam to an absolute minimum.

Standard features:

- State of the art with new drive motor for the trolley
- Low maintenance and wearing of the drive motor through less parts
- Accurate speed control at lifting and lowering
- Accurate speed control of the trolley
- Adjustable to a range of beam sizes

The low head room trolleys are available as standard version (order- number LHATP...) or as spark resistant version with bronze wheels, bronze coated hooks for explosion dangerous areas (order number LHATPSR) with ATEX certificate.

Optional

- Rack and pinion drive
- Marine paint (with certificate)
- ATEX specification cat. IIB & IIC

Recommended:

SMC air treatment unit: AC60-F10DM-8-B

Type	TNC-10/2-LHR	TCR-12/4-LHR	TNC-15/3-LHR	TNC-20/4-LHR
WLL	10.000 kg	12.000 kg	15.000 kg	20.000 kg
Chain falls	2	4	3	4
Chain size mm	16 x 45	11,2 x 34	16 x 45	16 x 45
Lifting speed full load	1,3	0,6	1	0,75
Lifting speed without full load (m/min)	2,5	1,4	1,6	1,25
Lowering speed full load (m/min)	2,3	1,1	1,25	1,15
Travel speed (m/min)	9	9	8	6
Hoist air consumption (l/sec)	90	33	90	90
Trolley air consumption (l/sec)	50	50	100	100
Inlet connection	1"	1"	1"	1"
Weight with 3h hol	550 kg	435 kg	700 kg	890 kg
Additional metre hol	11,4 kg	10,8 kg	17,1 kg	22,8 kg
Flange minium (mm)	110	110	175	175
Flange maximum (mm)	300	300	300	300

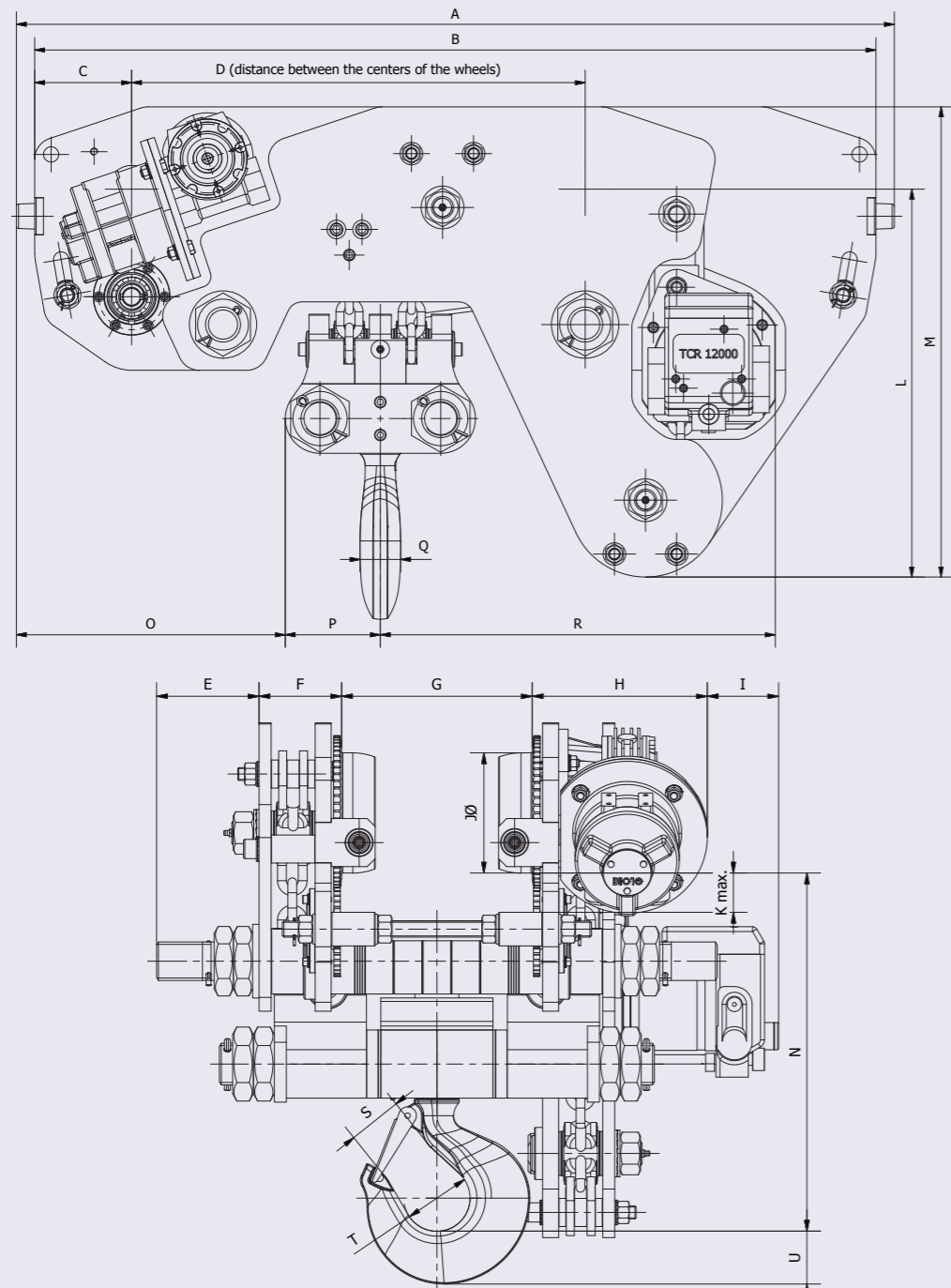
Design can be modified to suit smaller flange sizes.



PNEUMATIC ULTRA LOW HEADROOM

TCR-6000-ULHR | TCR-12000-ULHR | TNC-20000-ULHR

DIMENSIONS IN MM



Model	A	B	C	D	E	F	G	HØ	I	J	K
TCR-6000-ULHR	1.115	1.065	132,5	535	128	103	TBC	150	160	150	50
TCR-12000-ULHR	1.200	1.150	132,5	620	128	103	TBC	220	90	150	50
TNC-20000-ULHR	1.620	1.570	200	890	185	158	TBC	265	145	225	50

Model	L	M	N	O	P	Q	RØ	S	T	U	-
TCR-6000-ULHR	530	645	355	347,5	107,5	37	500	43	62	49	-
TCR-12000-ULHR	530	645	400	367,5	130	52	540	58	84	67	-
TNC-20000-ULHR	780	950	500	550	165	64	915	78	110	80	-

All measurements are in mm / Information subject to change without notice

PNEUMATIC ULTRA LOW HEADROOM

TCR-6000-ULHR | TCR-12000-ULHR | TNC-20000-ULHR

With the ULHR series we have a range of trolleys for those applications where a standard low headroom trolley is too large.

With this special version the hoist is built into the frame of the trolley to decrease the distance of the lower hook to the beam to an absolute minimum.

Standard features:

- State of the art with new drive motor for the trolley
- Low maintenance and wearing of the drive motor through less parts
- Accurate speed control at lifting and lowering
- Accurate speed control of the trolley
- Adjustable to a range of beam sizes

The low head room trolleys are available as standard version (order- number LHATP...) or as spark resistant version with bronze wheels, bronze coated hooks for explosion dangerous areas (order number LHATPSR) with ATEX certificate.

Optional

- Rack and pinion drive
- Marine paint (with certificate)
- ATEX specification cat. IIB & IIC

Recommended:

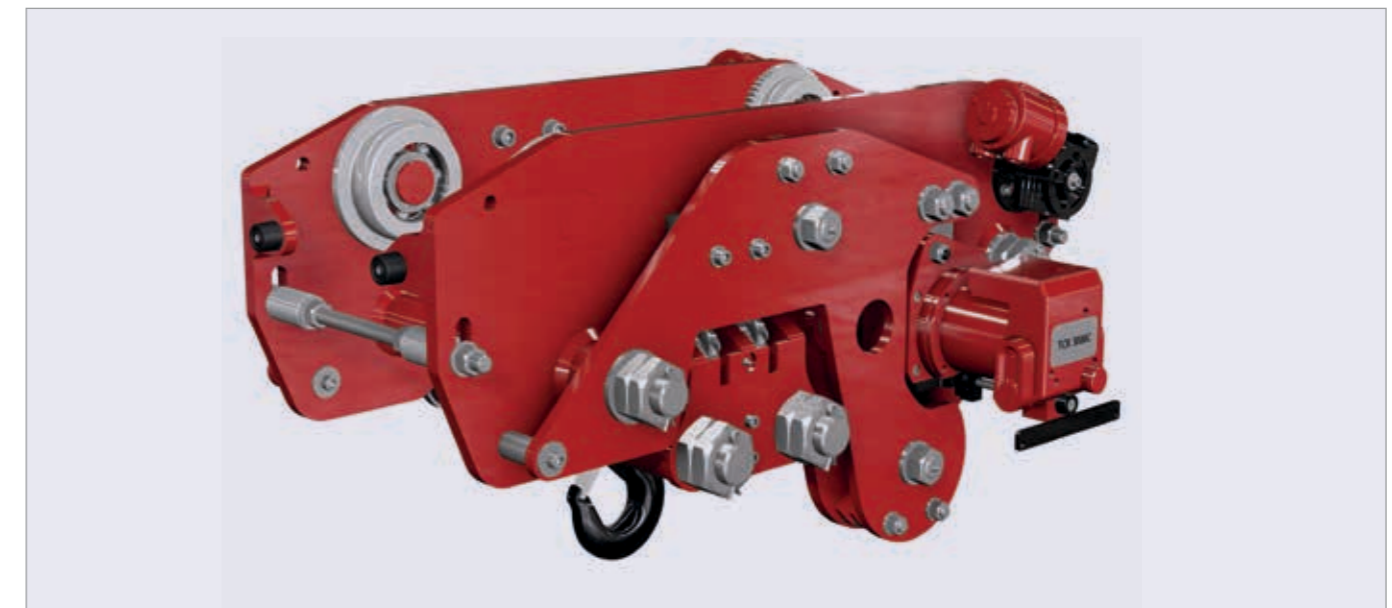
SMC air treatment unit:

TCR-6000-ULHR: AC50-F10DM-8-B

TCR-12000-ULHR/TCN-2000-ULHR: AC60-F10DM-8-B

Type	TCR-6000-ULHR	TCR-12000-ULHR	TNC-20000-ULHR
WLL	6.000 kg	12.000 kg	20.000 kg
Chain falls	2	4	4
Chain size mm	11,2 x 34	11,2 x 34	16 X 45
Lifting speed full load	1,4	0,6	0,75
Lifting speed without full load (m/min)	2,9	1,4	1,25
Lowering speed full load (m/min)	2,3	1,1	1,15
Travel speed (m/min)	9	6	6
Hoist air consumption (l/sec)	33	33	90
Trolley air consumption (l/sec)	25	50	50
Inlet connection	0,75"	1"	1"
Weight with 3h hol	380 kg	480 kg	1.440 kg
Additional metre hol	5,4 kg	10,8 kg	22,8 kg
Flange minium (mm)	170	215	220
Flange maximum (mm)	300	300	305

Design can be modified to suit smaller flange sizes.



SECTION 7 SPECIAL DESIGNS

Various designs of hoists are available we can design hoists specifically to suit your needs

Apart from the wide variety of standard RED ROOSTER air chain hoists and trolleys in this catalogue that are fit for most purposes and applications, RED ROOSTER also offers special solutions. Most of the specifications we can adjust to your specific demands. If the RED ROOSTER standard does not fit

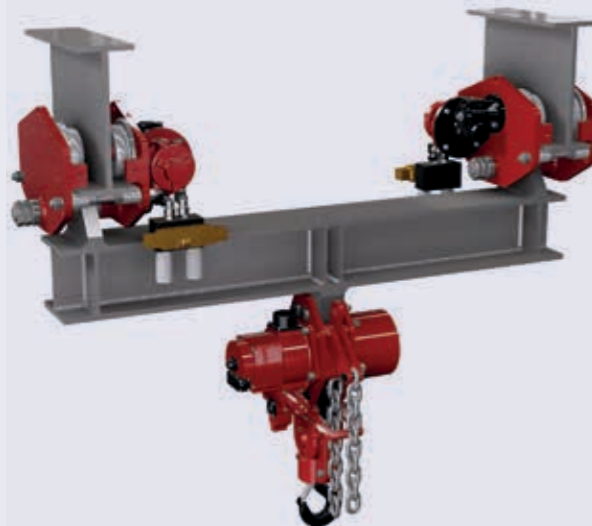
your purpose, please enquire for a tailor made solution. For example we can do special capacities, like a 5 tonne single fall, or a 60 tonne hoist. We can deliver the trolley with a beam brake, or rack and pinion drive.



Ultra low headroom articulated hoist and trolley



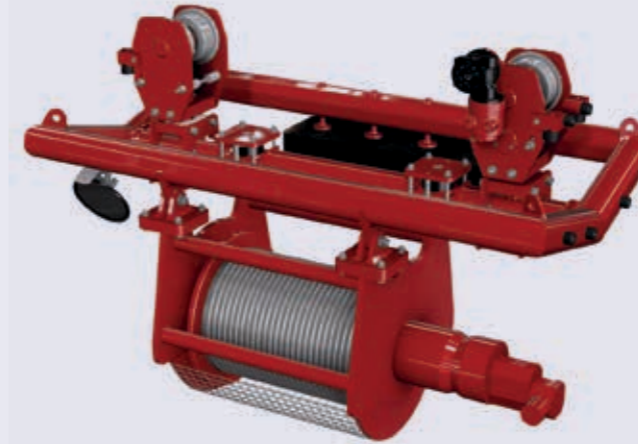
Combined 2 tonne air hoist and trolley with beam brake



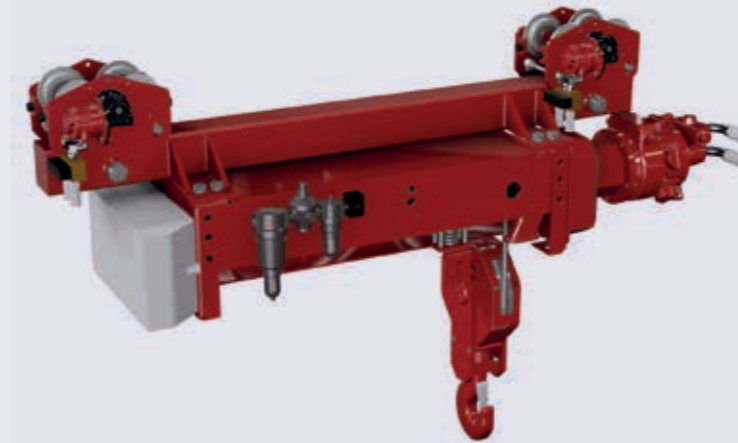
Travelling 10 tonne hoist with twin trolley beam

SECTION 7 SPECIAL DESIGNS

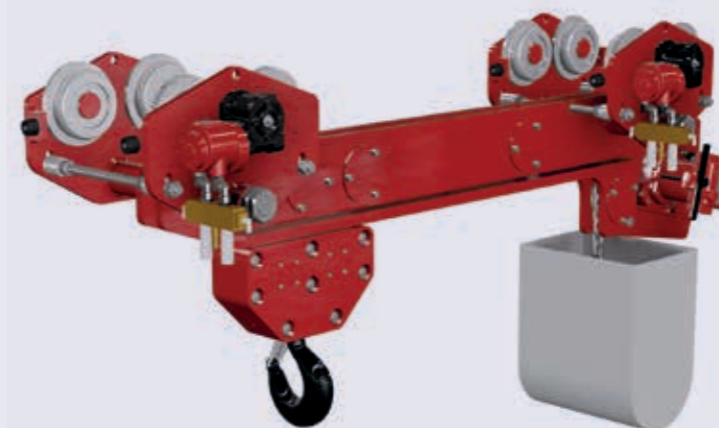
Various designs of hoists are available we can design hoists specifically to suit your needs



Wire rope hoist on articulated trolley



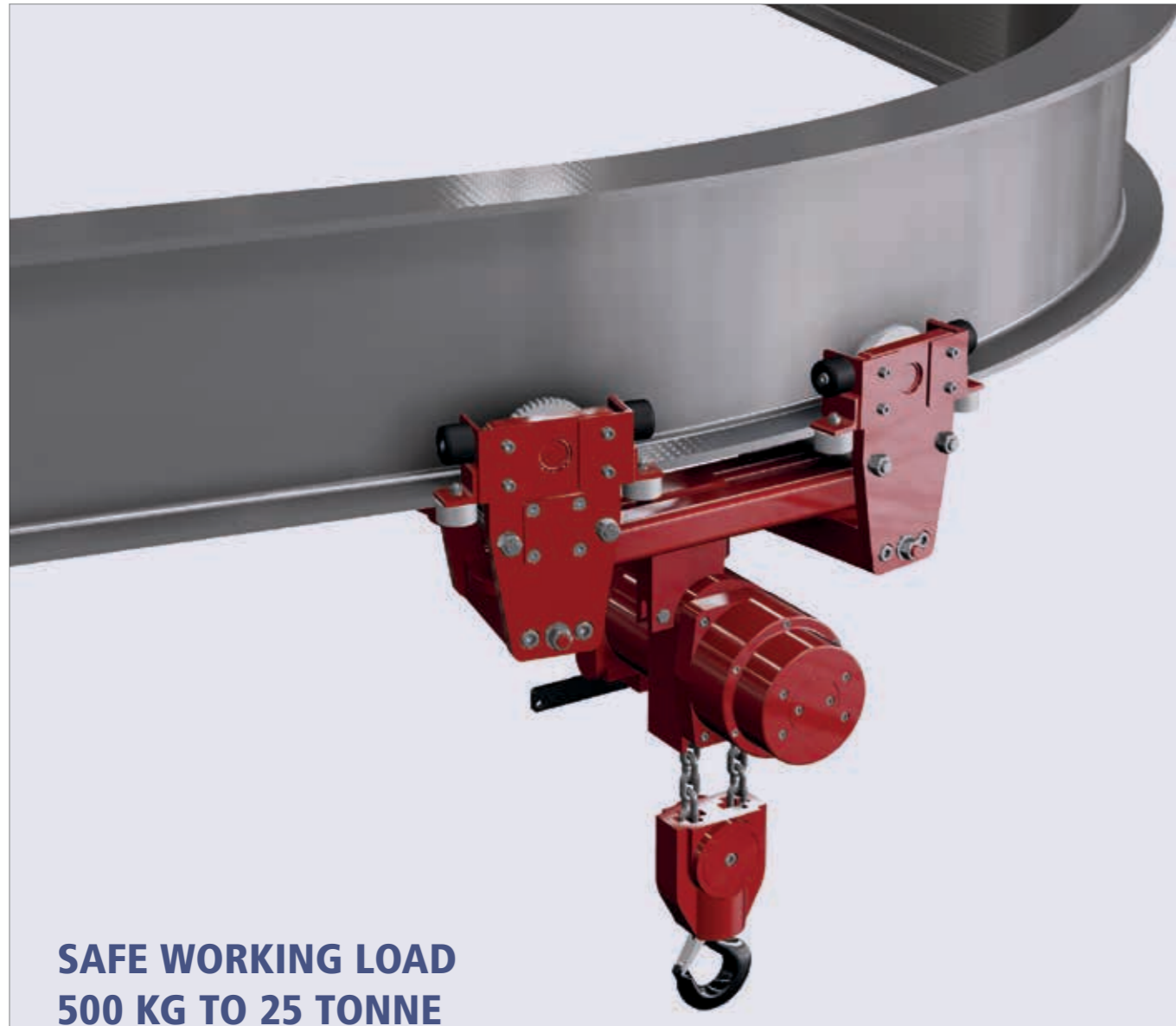
Wire rope hoist and trolley SWL 13 tonne



Low headroom extended frame

SECTION 7 SPECIAL DESIGNS

ARTICULATED TROLLEYS



SAFE WORKING LOAD 500 KG TO 25 TONNE

RED ROOSTER articulated trolleys are available as manual-, geared- and air driven units designed to operate with our range of manual, pneumatic chain hoists, pneumatic wire rope hoists and can be easily adapted to your specifications and/or different hoist models.

These trolleys are used on a curved beam or tight radius that standard trolleys could not travel around. The design of these units varies on the WLL, flange size, the application and the type of hoist fitted.

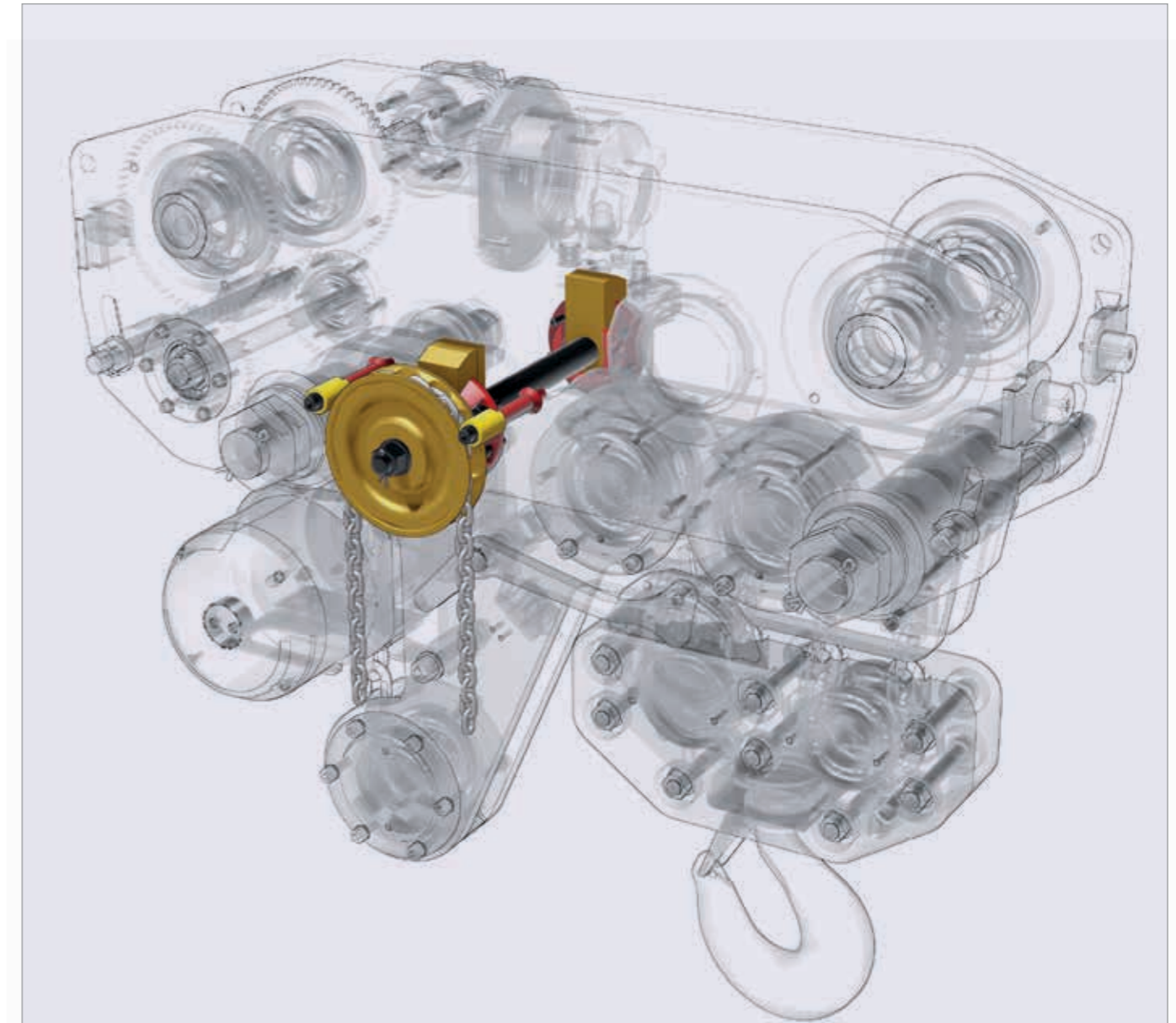
We can supply our articulated trolleys as ATEX cat. IIB & IIC units, low headroom and even ultra low headroom. These versions can also be fitted with beam brakes, to suit various beam types or sizes and all other options you expect from RED ROOSTER trolleys.

With our articulated trolley design having been based on our standard trolleys most parts are readily available and are designed to be largely maintenance free, with low wear and a long service life.

Due to the variation in the designs it is not practical to give all the sizes and specification for the range of trolleys available. Individual drawings and specifications are available on request.

SECTION 7 SPECIAL DESIGNS

TROLLEY AND PARKING BRAKES



RED ROOSTER pneumatic of trolleys can be fitted with several types of brakes, depending on the model, capacity and trolley speed.

Standard air trolleys, low headroom, ultra-low headroom and articulated are fitted with a self-locking gearbox which will hold the trolley in position when it stops travelling.

A separate air operated motor disc brake can also be fitted between the air motor and the gearbox to hold the trolley in position. This brake is automatically engaged when the travel stops. On a rack and pinion drive this brake also locks the trolley in position when not in use. This brake can be used on rack and pinion trolleys, standard and low headroom.

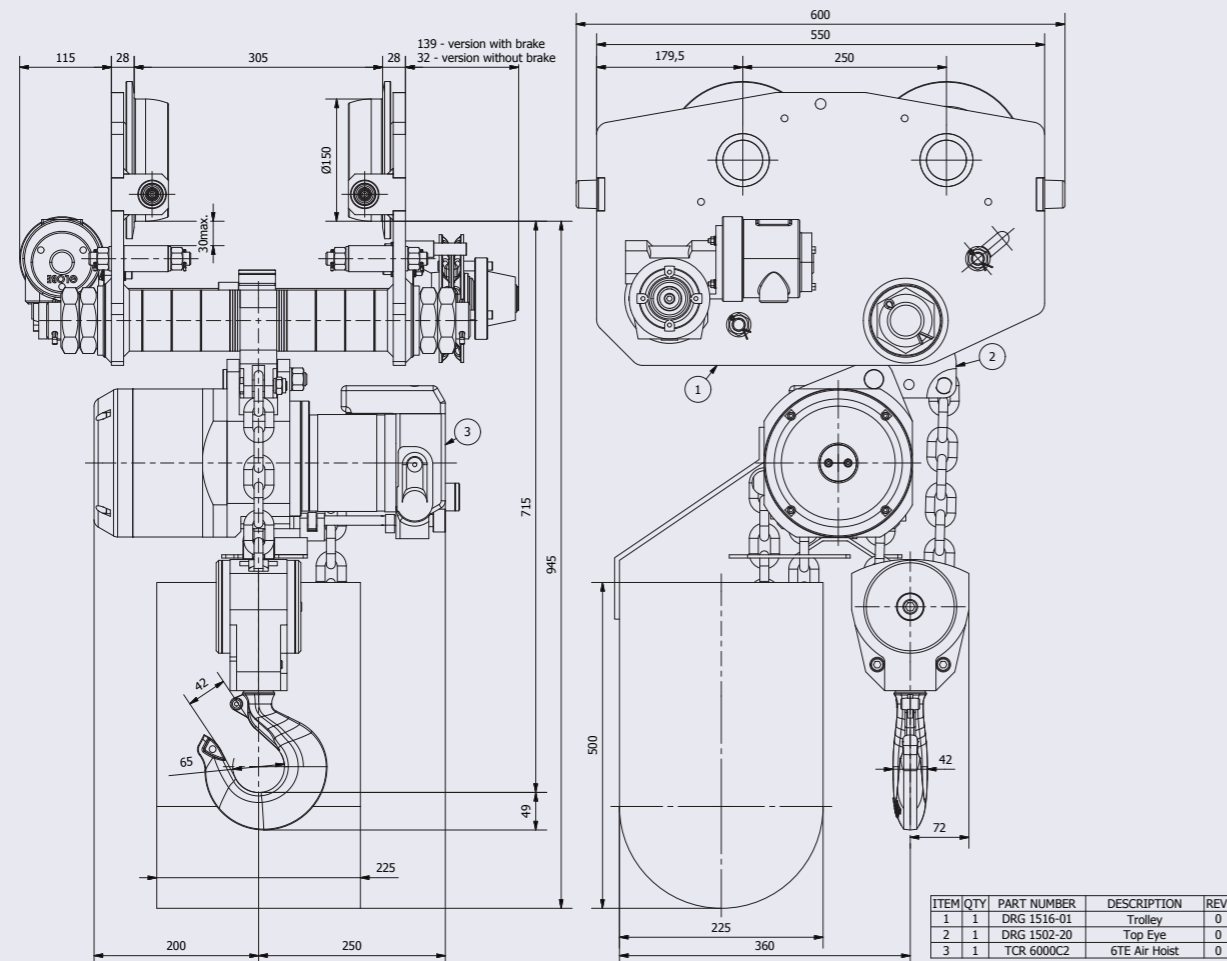
Parking brakes can be fitted to all types of trolleys and are applied by winding a hand chain wheel to tighten blocks on to the beam flange to lock the trolley in place. This brake is normally used to lock a trolley in position when not in use.

Parking brakes can also be fitted to manual and geared trolleys to hold them in position when not in use.

SECTION 7 SPECIAL DESIGNS

RACK AND PINION WORK LOAD LIMIT - 0,5 TONNE TO 25 TONNE

DIMENSIONS IN MM



Model	A	B	C	D	E	F	G	H	I	J
AT2S-RP	21	TBC	115	70	30	460	410	175	174	495/530
AT2S-RP	21	TBC	115	70	30	460	410	175	174	555
AT3S-RP	25	TBC	115	100	30	485	435	185	180	645
AT6S-RP	28	TBC	115	150	30	600	550	250	180	765
AT10S-RP	33	TBC	185	150	50	620	570	224	220	940
AT15S-RP	40	TBC	185	180	50	690	640	260	280	1.190
AT20S-RP	53	TBC	215	240	55	1.020	970	400	340	1.250
AT25S-RP	53	TBC	215	240	55	1.020	970	400	340	1.400

Model	K	L	M	N	O	P	Q	R	S1	S2
AT2S-RP	29	40	186	156	29,5	25	20	113	139	32
AT2S-RP	29	45	185	155	37	30	54	140	139	32
AT3S-RP	34	50	240	200	45	35	31	135	139	35
AT6S-RP	42	65	250	200	49	42	72	180	139	32
AT10S-RP	40	60	310	250	62	55	107	255	177	22
AT15S-RP	58	84	310	250	67	52	197	465	177	30
AT-20S-RP	78	110	315	245	80	64	265	535	177	35
AT25S-RP	80	125	345	365	103	82	165	315	177	35

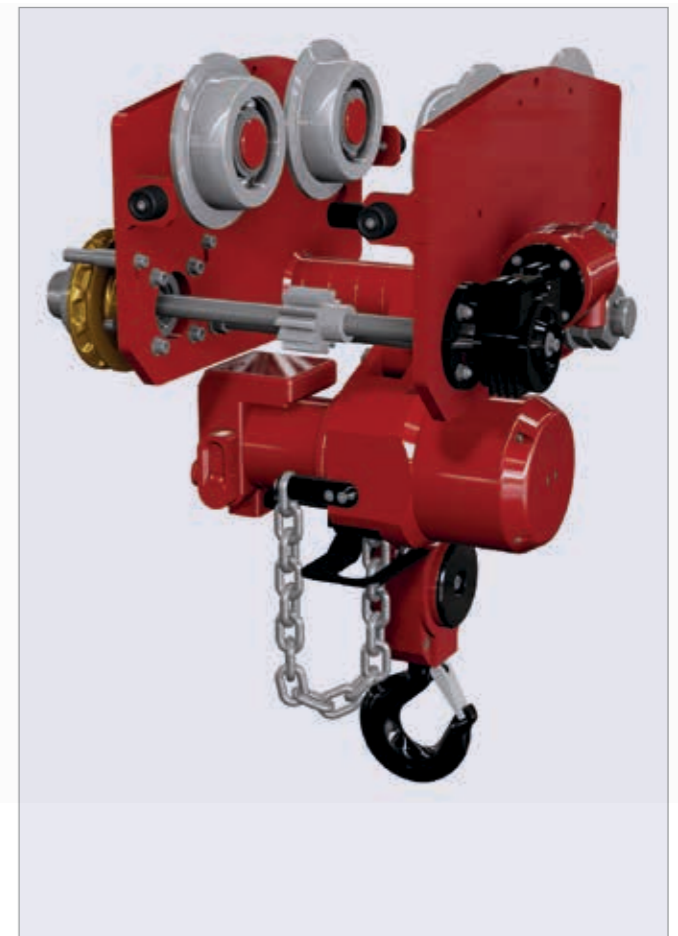
SECTION 7 SPECIAL DESIGNS

RACK AND PINION WORK LOAD LIMIT - 0,5 TONNE TO 25 TONNE

Model	Capacity		Air flow	Air pressure	Flange range	Hose ID trolley
AT2S-RP	0,5 + 1 tonne	6 m/min	25 l/sec	6 bar	80 - 300	0,5"
AT2S-RP	2 tonne	6 m/min	25 l/sec	6 bar	80 - 300	0,5"
AT3S-RP	3 tonne	6 m/min	25 l/sec	6 bar	120 - 300	0,5"
AT6S-RP	6 tonne	6 m/min	25 l/sec	6 bar	130 - 300	0,5"
AT10S-RP	10 tonne	6 m/min	40 l/sec	6 bar	150 - 300	0,75"
AT15S-RP	15 tonne	6 m/min	40 l/sec	6 bar	150 - 300	0,75"
AT20S-RP	20 tonne	4 m/min	80 l/sec	6 bar	150 - 300	0,75"
AT25S-RP	25 tonne	4 m/min	80 l/sec	6 bar	150 - 300	0,75"

RED ROOSTER pneumatic rack and pinion trolleys have been developed with high efficiency gearboxes with a rack and pinion drive mechanism to drive the trolley and hold in the required position for use on vessels or floating installations. We can supply trolleys with capacities from 500 kg to 25 tonne to suit various beam and rack modules for monorail trolley hoists and overhead travelling cranes.

The trolleys can either be geared or air driven with operating speeds to match our standard trolleys and can be fitted on to our low headroom, ultra-low headroom or BOP trolleys.



AVAILABLE OPTIONS

- Various speeds available
- Offshore version with corrosion protection
- Special paint systems
- Available on low headroom and ultra-low headroom trolleys
- Special designs
- Travel limits
- ATEX cat. IIA, IIB & IIC
- Temperature range -20°C to +70°C (-10°C to +70°C as standard)

SECTION 7 SPECIAL DESIGNS

BOP HANDLING SYSTEMS

Model	TNC-20-BOP	TNC-30-BOP	TNC-50-BOP	TNC-75-BOP
Capacity	20 tonne	30 tonne	50 tonne	75 tonne
Twin Hoist System	2 x 10 tonne hoist	2 x 15 tonne hoist	2 x 25 tonne hoist	2 x 37,5 tonne hoist
Weight 3 m HOL	375 kg per hoist	500 kg per hoist	900 kg per hoist	1.400 kg per hoist
Chain falls	2	3	2	3
Chain size mm	16 x 45	16 x 45	22 x 66	22 x 66
Lifting speed full load	1,5 m/min	1m/min	0,6 m/min	0,4 m/min
Lifting speed no load	2,5 m/min	1,6 m/min	1 m/min	0,6 m/min
Hoist air consumption	90 l/sec	90 l/sec	90 l/sec	90 l/sec
Travel speed	8 m/min	6 m/min	4 m/min	4 m/min
Trolley air consumption	40 l/sec	40 l/sec	40 l/sec	80 l/sec
Working	5-6 bar	5-6 bar	5-6 bar	5-6 bar
Flange size	150-310	150-310	200-310	200-310
Closed height	1.025 mm	1.200 mm	1.300 mm	1.425 mm
Trolley wheels	4	4	4	8

Other flange sizes available / Temperature range range -20°C to +70°C / For further information contact RED ROOSTER

RED ROOSTER BOP hoist handling systems have been developed to be a reliable heavy duty hoist for use on land rigs, drilling rigs and platforms. The pair of TNC hoists in our BOP systems are of a standard headroom however we can also offer lower headroom versions if required. The bottom hook can be replaced with a clevis fitting to connect directly to the BOP lifting points.



STANDARD FEATURES

- Design temperature -20°C to 70°C
- Articulated trolley headfitting for limited side pulling
- Overload protection
- Upper and lower limits
- Automatic fail safe disc brake on hoist
- Main air cut off valve
- Plated load chain
- Lifting points for easy installation

AVAILABLE OPTIONS

- Explosion proof ATEX cat. IIA, IIB & IIC
- Chain collector - galvanised or stainless steel
- Rack & pinion drive
- Offshore versions with corrosion protection
- Special paint systems
- Low headroom model
- Special designs
- Festoon systems
- Control consoles

SECTION 7 SPECIAL DESIGNS

BAG HANDLING HOISTS SAFE WORKING LOAD - 1 TONNE TO 2,5 TONNE

Model	TCR-1000LH/BB-ATX	TCR-2000LH/BB-ATX	TCR-3000LH/BB-ATX
WLL	1.000 kg	2.000 kg	2.500 kg
Chain falls	1	2	1
Chain size mm	7,1 x 21	7,1 x 21	7,1 x 21
Lifting speed full load	6 m/min	3 m/min	2,8 m/min
Lifting speed no load	11,3 m/min	5,7 m/min	5,7 m/min
Hoist air consumption	25 l/sec	25 l/sec	33 l/sec
Trolley air consumption	25 l/sec	25 l/sec	25 l/sec
Air pressure	6 bar	6 bar	6 bar
Air connection	1/2"	1/2"	3/4"
Weight with 3 m HOL	140 kg	155 kg	320 kg
Extra weight per metre	1,1 kg	2,2 kg	2.7 kg
Trolley travel speed	6 m/min	6 m/min	6 m/min
Flange range	140-300 mm	140-300 mm	160-300 mm

We offer three capacities of Big Bag handling hoists designed to meet the special requirements of handling bags of product. With 1 tonne, 2 tonne and 2,5 tonne capacities these cover most requirements, but we can design for larger capacities if necessary. With one load hook the frame dimensions can be varied if required to give the cruciform the maximum lifting height keeping clear of the hoist frame and the chain collector.

Specifically designed for Big Bag handling, our hoists have a rugged and extremely compact design giving the best possible approach distance. Heavy duty load chain is used to reduce excess wear caused by the movement of the cruciform and bag while lifting.

Due to the dusty environment of Big Bag handling, it's important that the load chain and the drive teeth on the trolley wheels are regularly inspected for wear, cleaned and kept lubricated. If exhaust oil or moisture is a concern, the exhaust air from the hoist and trolley can be piped away to a safe area.

As with all RED ROOSTER hoists and trolleys our units are available as either: ATEX cat. IIA, IIB & IIC



ACCESSORIES

RED ROOSTER has a wide range of accessories available that can be supplied along with your hoist or at a later date to make sure our hoist meets your needs.

- Range of pendants
- SMC air service units
- Travel limit valves
- Special Paint
- Overload horns
- Chain collectors (PVC, galvanised or stainless steel)
- Air Regulators
- Emergency Stop Valves
- Bronze sprayed or stainless steel hooks
- Lubrication Oil
- Standard, case hardened or stainless steel load chains
- Various air supply systems to your hoist, trolley or crane

CORD CONTROL

Can be supplied at any length. Gives direct control to the limit level which is connected to the control valve to giving variable speed control. Cord control is available on all capacities of hoist.



PENDANT CONTROL - RRI-M AND RRI-MO

Available as either the Marine version fitted with 1/4" rubber hoses or the Marine Offshore version fitted with hoses and stainless steel valves. The housing is easily held in one hand with easy to use buttons all guarded to prevent inadvertent use. Suitable for use in aggressive environments and available in 2, 4 & 6 station versions.



PENDANT CONTROL - TCS-P

Comes as standard on pendant control TCR/TCS hoists which has two levers for superb speed control and has an emergency stop.



PENDANT CONTROL TYPE DP

Comes as standard on pendant control TCR mini hoist which has two levers for superb speed control and an emergency stop. This is a direct pendant type.



ACCESSORIES

CONTROL BOXES TYPE - CB

We can build the same valves we use in our RRI pendants buttons into wall mounted control boxes. They are available with 2, 4, 6 or 8 stations c/w an emergency stop.



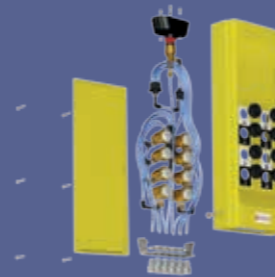
RED ROOSTER PNEUMATIC HOISTS AND MOTORISED TROLLEYS

To control our trolleys any of the RRI multi-button types can be used with the RRI-VTP4 being the most popular.



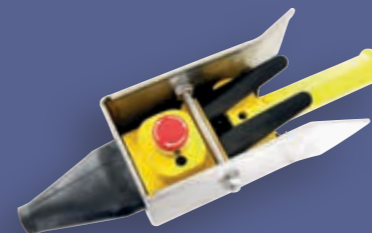
RED ROOSTER PNEUMATIC CRANES

Both the RRI-VTP of the RRI-VTP/M are available in multi-button options to give a range of options for full control.



SAFETY COVER FOR RED ROOSTER PENDANT CONTROL

Stainless steel cover for RED ROOSTER pendant control to protect levers.



RED ROOSTER RADIO CONTROLS

When excessive distances between the control location and the hoist become a problem RED ROOSTER can offer a radio control option that is easily fitted to any of our hoists, trolleys or cranes. This system offers a safe option to long control lines and is available in standard and ATEX versions.



AIR SERVICE EQUIPMENT

For faultless operation of your RED ROOSTER pneumatic hoist, trolley or crane the compressed air must be clean, dry and lubricated. We recommend that you always fit an SMC filter lubricator along with a regulator if required. Available as filter / lubricator units or as filter / lubricator / regulators from 0,375" to 1" always in stock.

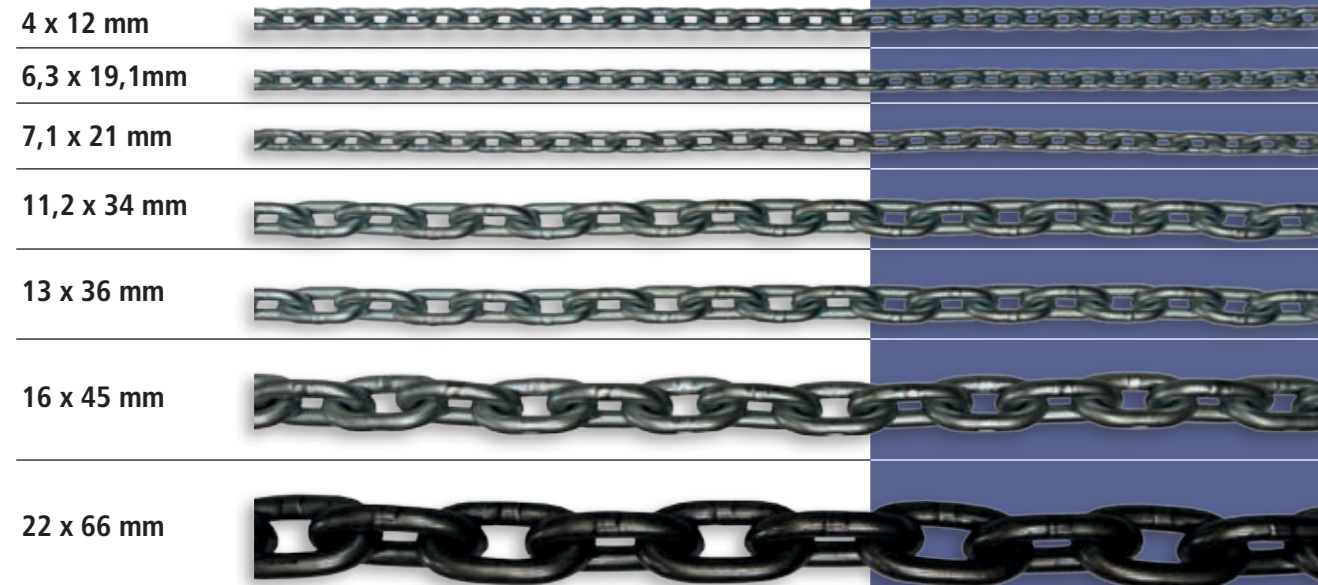


SECTION 8 ACCESSORIES

LOAD CHAIN

RED ROOSTER use high quality load chain to EN818-7 ranging from 4 x 12 mm chain on the 250 kg hoist and up to 22 x 66 mm load chain on our 25 tonne, 50 tonne and 100 tonne hoists. Depending on the working duty and operating conditions we can offer higher quality chain with a higher resistance to wear and different finishes on the chain to protect against corrosion.

Chain sizes



LOAD LIMITERS

We can offer either a mechanical (LLM) or a differential pressure (LLD) load limiter that can be retrofitted to pneumatic hoists or winches. Both types cut off the pilot supply on the hoisting side of the motor stopping the motor raising, but the motor will still lower after the load limiter has been closed.

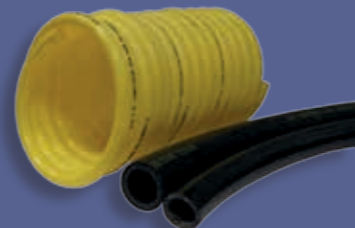
LUBRICATION OIL

We can offer our own brand of airline lubricating oil. The Atlub Oil is suitable for all RED ROOSTER hoists and trolley motors.



AIR SUPPLY HOSE

We can offer a variety of air supply hoses to suit the customer and the site, such as PVC, rubber anti-static hose and spiral hoses. These are supplied along with end fittings for connection to the hoist and your air system.



SECTION 8 ACCESSORIES

MAIN AIR SHUT OFF VALVE

All pneumatic hoists and winches can be fitted with a main air valve to cut off the air supply. This is controlled via the emergency stop button on the pendant.



CHAIN COLLECTORS

RED ROOSTER offer a wide range of PVC chain bags and chain buckets manufactured from either galvanised or stainless steel. The chain-bags are mainly used on the smaller hoists with a maximum of 20m of 4 x 12 mm chain or 13 m of 7,1 x 21 mm chain. Above these sizes we use steel chain buckets which can take up to 100 m of 22 x 66 mm load chain.

Simply advise us of your hoist model and height of lift and we will supply you with a chain collector and bracket to suit. Where headroom is a problem we can try to alter the shape of a standard bucket to keep the headroom to a minimum.

With the increased size and weight in the collectors we may need to supply secondary suspension slings for added support.

We have a selection of chain buckets in stock to suit 250 kg to 6 tonne hoists with larger capacities being made to order. See next page for CHAIN COLLECTOR MODELS.



FESTOON SYSTEMS

We offer a range of festoon systems to support air hoses, control hoses, flat form cables and round cables running from the hoist back to the supply valve or pipework.

Catenary systems - see section 9, page 66

C Track system - see section 9, page 67

Hose support trolleys - see section 9, page 66



HEAVY DUTY SYSTEMS

For systems with heavy hoses or cables, we can also supply square section tracks for straight or curved beams. The sections of track are supported by support brackets attached to the top flange of the beam.

We can also supply heavy duty C Track systems built from larger stronger sections.

SECTION 8 ACCESSORIES

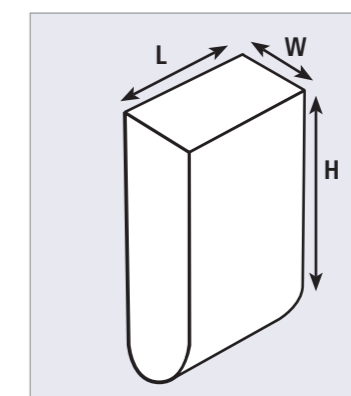
CHAIN COLLECTOR MODELS

		TCR-250	TCR-500/2	TCS-500	TCR-500	TCS-980/2	TCR-1000/2	TCR-1000	TCR-2000/2	TCR-3000	TCR-6000/2	TCR-9000/3	TNC-10TWLPE	TCR-12000/4	TCR-15000/5	TNC-15TW/3	TNC-20TW/4	TNC-25TWLPE	TNC-37.5TW/3	TNC-50TW/4
Bag	Part. no.	Max hol (m)																		
	BAG 1	13	7																	
	BAG 2	25	13																	
	BAG 3				6		3	6	3											
	BAG 4				9		4,5	9	4,5											
	BAG 5				13		7	13	7											
	BAG 6			12		6														
	BAG 7			20		10														
	BAG 8									10	5									
Bucket	2	31	16	10	10	5	5	10	5											
	3	41	21	20	20	10	10	18	9	5										
	4			29	29	15	15	25	13	10	5									
	5			31	31	15	15	25												
	6			35	35	18	18	29	15											
	7			43	43	22	22	37	19											
	8			55	55	28	28	47	24	9										
	9			55	55						6									
	10			62	62	31	31	55	26											
	10B	35	20	18	18	9	9	18	9	3										
	11									13	7	5		4						
	12									25	13	9		7	6					
	13									35	17	12		9	6					
	14									40	20	14		11	7					
	15									50	25	17		13	11					
	16									65	34	23		17	14					
	17									75	38	25		19	16					
18									100	50	35		26	21						
19												7			5	4	8	6	4	
20													11		7	6	12	8	6	
21													14		10	8	16	11	8	
22													19		13	10	20	13	11	
23													26		17	12	25	17	13	
24													34		23	17	36	24	18	
25																	43	29	22	
26																	53	36	27	

SECTION 8 ACCESSORIES

CHAIN COLLECTOR MODELS

	Part. no.	Dimensions (L x W x H)	Weight (KG)	Volume (L)
Bag	BAG 1	100 x 100 x 200	1	2
	BAG 2	150 x 150 x 250	1	6
	BAG 3	150 x 150 x 150	1	2
	BAG 4	150 x 150 x 250	1	3
	BAG 5	150 x 150 x 300	1,5	18
	BAG 6	133 x 133 x 250	1,5	4
	BAG 7	133 x 133 x 300	1,5	5
	BAG 8	200 x 200 x 450	1,5	4
Bucket	2	150 x 150 x 300	2	7
	3	150 x 150 x 500	3	11
	4	150 x 150 x 700	4	16
	5	150 x 225 x 500	4	17
	6	150 x 250 x 500	4	19
	7	150 x 225 x 700	6,5	24
	8	150 x 250 x 800	7	30
	9	150 x 225 x 900	8	30
	10	150 x 250 x 900	8	34
	10B	225 x 150 x 300	4	10
	11	250 x 150 x 500	5	19
	12	250 x 250 x 600	7	38
	13	250 x 250 x 800	8,5	50
	14	250 x 300 x 800	9	60
	15	250 x 400 x 750	12	75
	16	250 x 400 x 1000	15	100
	17	250 x 500 x 900	15	113
	18	250 x 600 x 1000	19	156
	19	400 x 400 x 500	14	80
	20	400 x 400 x 750	16	120
	21	400 x 400 x 1000	19	160
	22	400 x 500 x 1000	20	200
	23	500 x 500 x 1000	24	250
	24	600 x 600 x 1000	28	360
	25	600 x 600 x 1250	34	450
	26	600 x 600 x 1500	40	540



AIR SUPPLY SYSTEMS

CATENARY SYSTEM

The CATENARY system's simple wire rope is designed for the support and conveyance of power to overhead travelling cranes, hoists, jibs, and monorails, mobile material handling machines and all other equipment.

The various system components have been designed to work with both flat and round cable of varying thicknesses / widths and diameters.

In order to produce a smooth operation and minimal wear on the trolley wheels, our CATENARY system utilises a PVC coated galvanised steel cable of 6 mm dia. The cable supports are designed to support a max run of 10 m of cable (subject to the weight of the cable or air hose).

KEY POINTS

- Utilises a PVC coated galvanised wire rope
- Cable hangers support a maximum length of 10 m runs
- Variety of trolleys to suit both budget and application
- Adapted for both round and flat cable
- May be used for the conveyance of air hose systems
- Designed for ease of installation requiring no special tools

RED ROOSTER HOSE SUPPORT TROLLEY RSJ FESTOON CABLE SYSTEMS

These FESTOON trolleys can run along the same beam as the hoist, making installation fast and easy. These trolleys follow the hoist along the runway beam and are pulled in and pushed out by the main trolley. Trolleys are available for air

hoses, flat form cables and round cables. We can supply these trolleys for standard or ATEX systems. Trolley capacity 50 kg to suit beam sizes up to 300 mm.



AIR SUPPLY SYSTEMS

FESTOON SYSTEM



The FESTOON C-TRACK system, has been specifically designed and developed for the support and conveyance of air hoses, flat form cable and round cable. The application of which may be seen in overhead travelling cranes, hoists, jibs and monorails, mobile material handling machines and other travelling equipment.

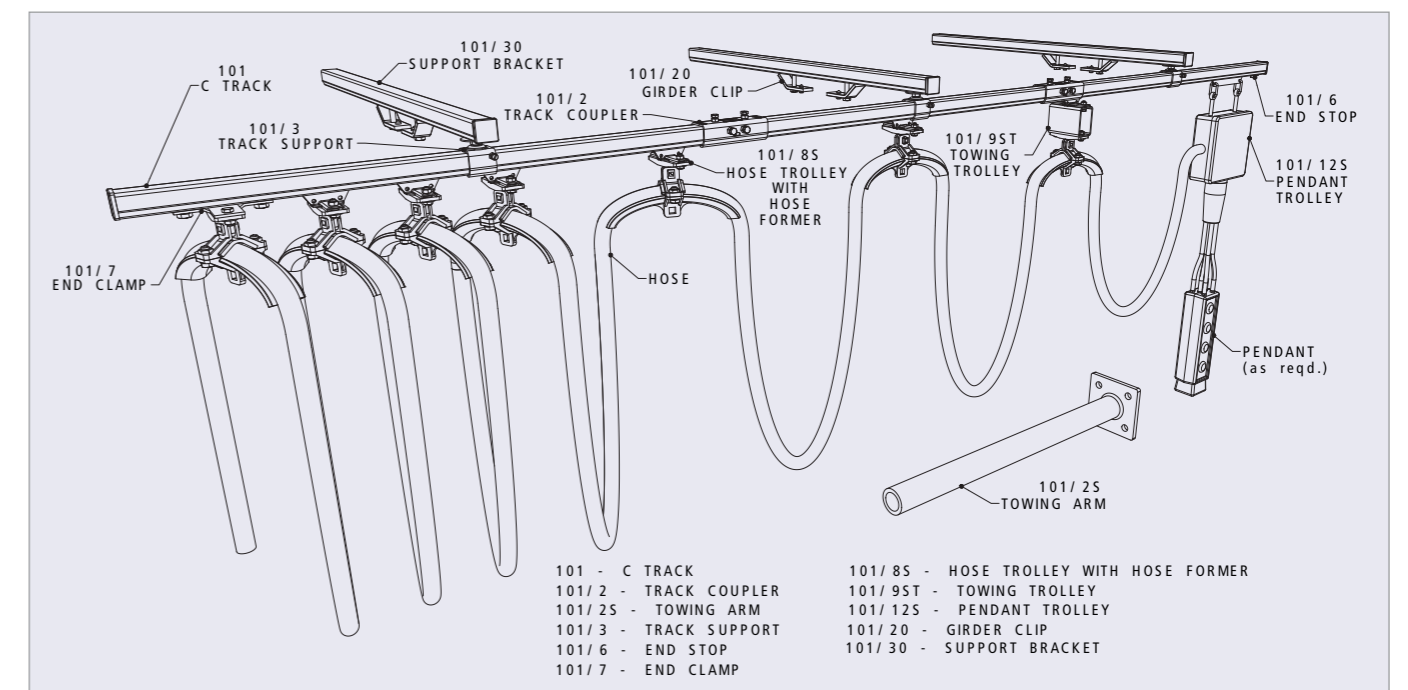
The various system components have been designed to work with air hoses, flat form cables and round cables of varying thicknesses, widths, diameters and weights.

Depending on the application or environment, a FESTOON system is offered in a choice of 2 different materials: galvanised or stainless steel. The track can either be single

for supply only or gradual track for an independent pendant. On our clients specific request, a FESTOON C-TRACK can also be supplied curved. Our automated rolling and forming machinery, is able to achieve a maximum bending radius of 1.25 m, easily covering a multitude of conveyance applications. These are made to order.

With our offering of stainless steel profiles, our FESTOON C-TRACK system is also ideal for the food, marine industry, or safe areas where ATEX certification is required.

The FESTOON system has been designed for years of trouble free operation and its ease of installation does not require the need of special tools.



RADIO REMOTE CONTROL



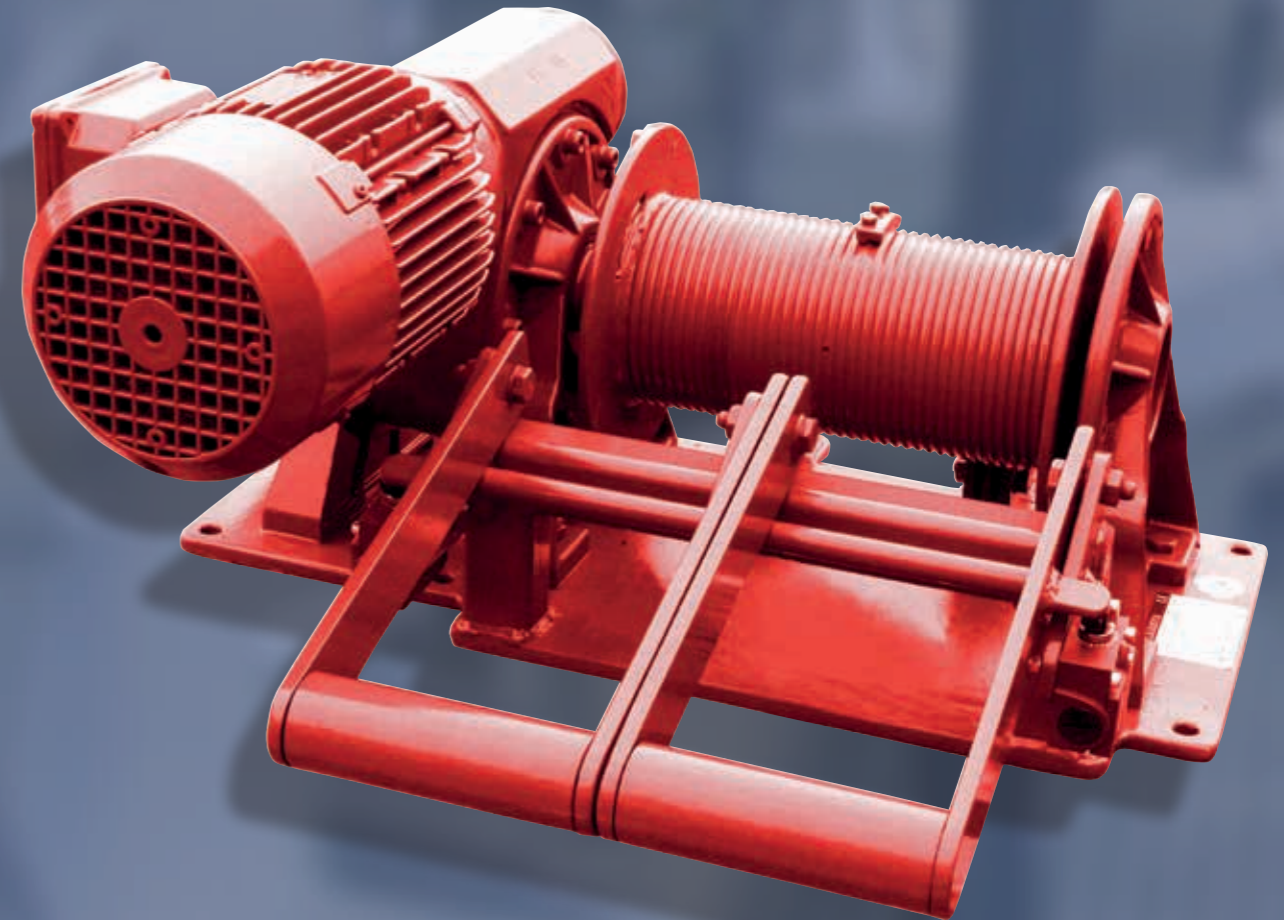
Developed to replace long control tubes where the pendant length can create delays, where it is difficult for the operator to travel with the hoist or crane, where the operator needs to work at different levels or to give the operator more freedom to check the movement and positioning of the load.

The RED ROOSTER radio remote control system can be used on chain hoists, wire rope hoists, trolleys and cranes. The system is fitted with a main STOP valve to cut off air supply and is in accordance with standards PL e EN ISO 13849 and SIL 3 EN 61508.

Our remote control can be used in non-hazardous areas and there is also an option of an ATEX version available for cat. IIA, IIB & IIC

- There are 64 frequencies in the 433 - 434 MHz range
- Various options for the power supply for the radio receiver
- The transmitter is powered by a plug-in rechargeable battery
- Transmitter and receiver protection class is IP65
- The remote control buttons are easily operated when wearing gloves
- Available on all RED ROOSTER hoists and trolleys
- A standard pendant can be connected into the system in case of failure or power loss

AIR WINCHES 0,2-35 TONNE

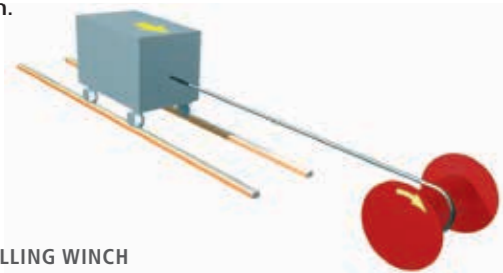


RED ROOSTER AIR WINCHES
ARE CUSTOM MADE PRODUCTS

ROPE WINCH TYPES

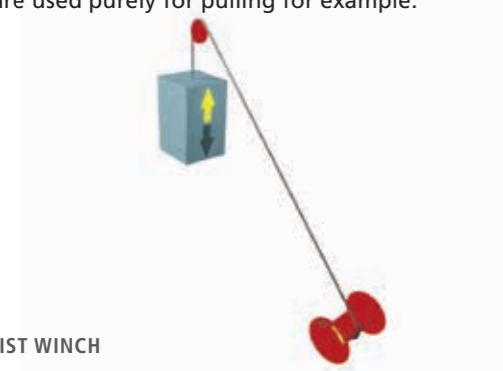
Mode of application and load bearing capacity

Pulling winches are designed to pull loads on a 100% flat surface. The pulling force is calculated from the mass of the load to be pulled multiplied by the load's rolling resistance. The rolling resistances for the typical applications are around 0,150 for rubber wheels on concrete surfaces and around 0,005 for steel wheels mounted on an anti-friction bearing that are on tracks. If the load is hoisted on an angled surface, the rope winch must be designed as a hoist winch.



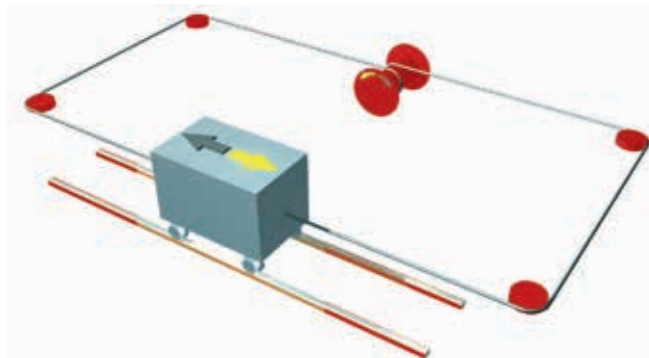
PULLING WINCH

Hoist winches must be used if a load is to be raised and held by the rope winch. This applies to vertically hoisting and also to pulling the load along an angled track. Rope winches for hoisting are equipped with spring-loaded brakes on the motor as standard and therefore guarantee that the load will be held securely. In addition, rope winches for hoisting are equipped with higher safety factors than rope winches that are used purely for pulling for example.



HOIST WINCH

A traversing winch can be used to move a load in two directions on a level. You can therefore move a carriage forwards and backwards for example. The rope drum is designed for two ropes, is scored and winds in only one layer.



Capstan winches are endless winches that do not store the rope on a rope drum but allow the rope to run through "endlessly". A counterforce such as the operator's manual force is multiplied by winding the rope around the capstan head several times. In this way, a much larger pulling force can be achieved from manual force. For example, they stand on deck on a ship and are used to pull cables and ropes in many different directions.



CAPSTAN WINCH

Traction winches are endless winches like the capstan winches. They work on the same principle of increasing force due to winding friction. The rope is better fed and protected thanks to their design with two traction sheaves and multiple scores. Traction winches are normally located on carriages that travel forwards and backwards. The pulling rope is stretched between the two ends of the guide rail.



TRACTION WINCH

Information for safe operation

To ensure that the rope is wound onto the rope drum in an orderly manner, the rope's permitted angle of deflection must not be exceeded. For this reason, the rope is normally guided from the rope drum over a fixed deflection roller at first. This is aligned in the centre of the drum at a specified distance from the rope drum. This prevents the angle of deflection being exceeded. This distance mainly depends on the drum length and the relationship between the drum diameter and the rope diameter, and is specified in each quotation.



ROPE WINCH TYPES

Drive type

Manually operated rope winches are operated by the operator's manual force via a crank handle. The power is therefore limited to a certain value which is mainly generated by the pulling force and the rope speed. The higher the pulling force, the lower the rope speed if the power remains the same.

Pneumatically-operated rope winches are operated by multi-vane motors or radial piston motors depending on the power. We can provide compressed air rope winches with power of up to 22 kW. Please specify your compressed air supply data. Depending on the design, we will equip the rope winches with pneumatically actuated spring-loaded brakes.

Rope speed

RED ROOSTER rope winches normally have a constant rope speed. The SB rope winches can be designed for any rope speed.

Thanks to appropriate motors that can operate at two speeds or thanks to freely-programmable frequency converter controllers, multiple speeds can also be achieved.

Site of operation

Do you have a height restriction, such as a maximum distance to the first deflection? In that case, we can construct the rope winch to fit as well as possible. If the winch has to be protected against wind and weather, or even against salt water, we can provide motors with higher protection classes, special thick protective coatings or complete housings.

Two or more rope outflows

In order to be able to lift long cross beams or frames with large bases, you require several lifting points on the load to ensure that the load does not tip. We can equip our rope winches with multi-rope drums for this purpose. Please let us know the number of load points and the distance between them.

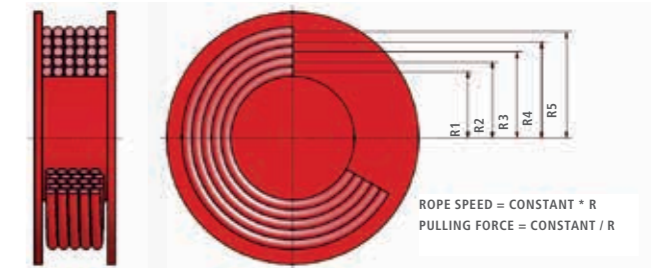


Explosion protection class

SB rope winches can be designed for use in locations at risk of explosion. Please inform us of the explosion protection class required. You will find further information on the ATEX Directives in our brochure on page 12.

Multi-layer wound rope drums

Rope drums are normally wound in multiple layers; i.e. the rope is wound around the rope drum layer by layer. The lever that the rope uses to transfer the pulling force to the rope drum becomes larger with each rope layer. However, the gear data such as the driving torque and the driving speed remain constant. Due to this, the rope speed increases and the pulling force decreases with each rope layer that is wound up.



Information on applicable law

The following applies according to the machinery directive:

- ⚠ Overrunning structural or required limits whose movement is generated by the rope winch must be prevented by limit switches. (Normally by spindle limit switches)
- ⚠ The rope drum and other moving parts must be inaccessible or protected against drawing in. (Normally by covers)
- ⚠ Rope winches with a lifting capacity of over 1,000 kg must be protected against an overload. (Normally by electrical overload protection in the control box)
- ⚠ The electrical controller must be able to be powered off. (Normally by a mains plug or a mains isolator)
- ⚠ The customer must ensure that the base to which the winch is fixed is structurally stable.

EXTRA EQUIPMENT AND OPTIONS



Grooved drum

This is beneficial when a non-twisting wire rope is specified. Right or left hand helical grooving of drum core to suit specified rope diameter regulates spooling of first rope layer and assists in higher layers. It enables fleet angle to be increased from 1.5 to 2.5 degrees. Even higher fleet angles can be reached with an additional spooling device (only upon request).



Drum pressure roller

The rope keeps tight on the drum as long as it is under tension. But if it becomes slack, e.g. during shunting applications, when the waggon runs faster than the winch is able to store, a drum pressure roller can help. It presses the rope onto the drum core and maintains it in a tidy condition. The drum pressure roller is also recommended if a free spooling clutch is used.

Drum protection

Covering the rope drum prevents objects or items of the operator's clothing entering the rope drive. This reduces the risk of accidents and damage to the winch.

Brake active on drum

The (manual and automatic) rope drum brake is an additional brake that only applies to the rope drum. It can be an additional piece of safety equipment; e.g. for hoist winches with a free-wheeling coupling or for hoist winches to transport people.

Manual brake release

The SB rope winches can be equipped with manual brake release. Therefore, if there is a loss of electrical power, you can lower the load by hand by bleeding the spring-loaded brake using the release lever.



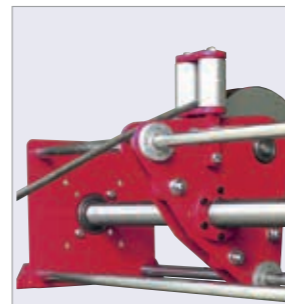
Spindle limit switch

The spindle limit switch is coupled directly to the rope drum and determines the drum's revolutions. You can determine the rope winch's shut-off positions as required by adjusting the switching cam inside the switch. As standard, our spindle limit switches have two contacts, in order to limit the top and bottom hook position for example. We can equip the switch with up to five contacts on request. Therefore, you can switch something at interim positions (e.g. the alarm horn) or switch to a lower speed with rope winches that have two speeds.



Disengaging clutch

You can release drums of the RED ROOSTER SB rope winch types with the free-wheeling clutch. The rope can then be easily wound by hand and does not have to be unwound at rope speed using a motor. Freewheeling couplings are only permissible for traction winches. The grooved drum and drum pressure roller options are recommended in order to ensure that the unladen rope is wound up in an orderly manner.



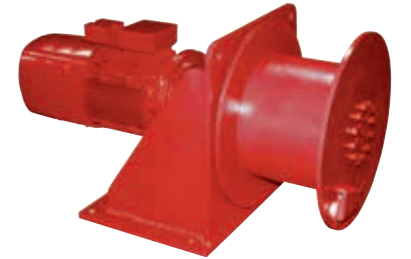
Spooling device

If you cannot comply with the distance to the first deflection due to space limitations, we can offer an optional spooling device. The rope is fed through a reel that moves forwards and backwards in a line in front of the rope drum, thereby ensuring that the rope is wound around the rope drum in an orderly manner. The reel is coupled to the rope drum mechanically. The system works automatically. In this way, the spooling device increases the rope's angle of deflection and shortens the distance to the first deflection.

FD-SERIES - COMPACT ROPE WINCHES

Planetary crane winches FD-Series

Specially designed for applications where space is at a premium, these compact and lightweight lifting winches are ideally suited for installation on cranes, davits and derricks. The single drum support enables the rope to leave the drum at any angle. The heavy duty planetary drive is partly located within and protected by the drum core. The large drum diameters ensure a healthy drum to rope diameter ratio and sufficient working length despite the short drums.



Standard features

- Heavy duty planetary gearbox
- FD LPR; radial piston type air motor complete with hand control valve and mufflers
- Steel drum with rope fixing point at flange
- Single drum support
- Double layer 2 component coating, colour RAL 5010

Available winch options

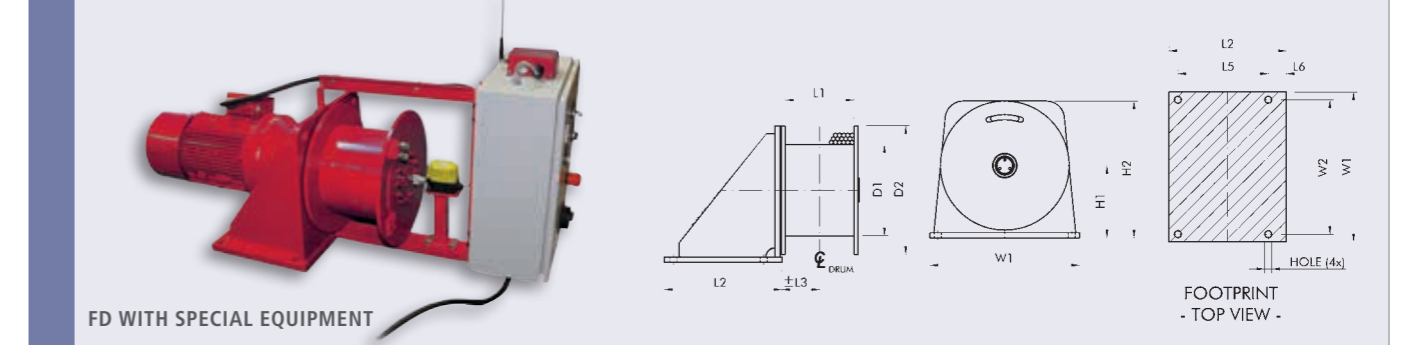
- Explosion proof motors
- Protective steel motor cover
- Drum pressure roller
- Alternative speeds
- Drum guards
- Marine / offshore coating systems
- Tubular offshore frame construction with lifting eyes
- Pneumatic limit switch
- Pneumatic slack wire switch

Available control options

- Load limiter (required by CE)
- Frequency inverter for variable speed control
- Wireless radio remote control system
- Limit switches
- Slack wire switches
- Radio / Infra-red remote control

Type	Max. capacity 1st layer kg	Max. capacity top layer kg/layers	Recommended rope diameter mm	Speed 1st layer m/min.	Speed top layer m/min.	Drum storage 1st layer m	Drum capacity all layers m/layers	Air pressure bar	Air consumption l/sec.
FD 300-LPR1	800	675/4	8	8	10	15	70/4	7	30
FD 300-LPR2	950	800/4	8	18	21	15	70/4	7	90
FD 301-LPR2	1.850	1.470/4	11	9	11	10	53/4	7	90
FD 303-LPR2	2.300	1.970/3	12	7	8	11	41/3	7	90
FD 303-LPR3	2.300	1.970/3	12	15	18	11	41/3	7	150
FD 305-LPR3	3.350	2.800/3	14	10	12	10	40/3	7	150
FD 306-LPR4	4.100	3.500/3	16	15	18	15	56/3	7	225
FD 307-LPR4	5.250	4.490/3	18	12	14	18	67/3	7	240

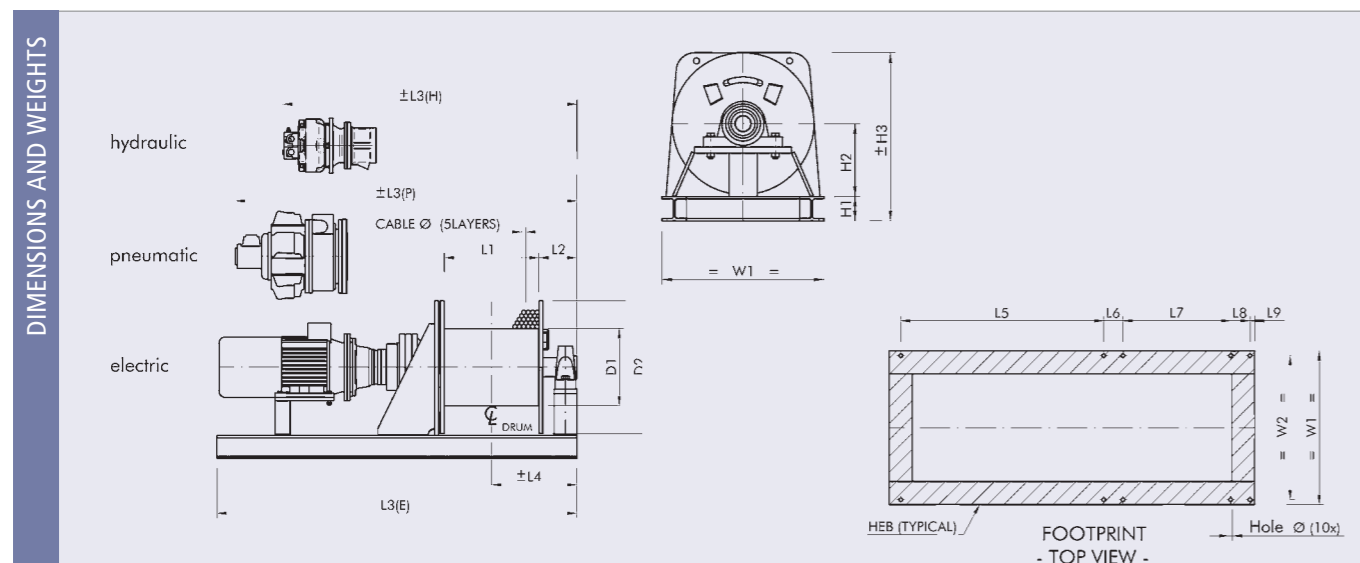
Type	Weight kg	Dimensions (mm)														
		D1	D2	L1	L2	L3	L4 (E)	L4 (H)	L4 (L)	L5	L6	H1	H2	W1	W2	Hole Ø
FD 300	125	244	380	176	310	93	736	520	765	240	44	215	405	440	400	18
FD 301	130	244	380	176	310	93	796	558	785	240	44	215	405	440	400	18
FD 303	175	272	410	191	350	106	818	595	905	275	50	235	440	500	450	22
FD 305	240	272	410	210	350	116	1.030	625	950	275	50	235	440	500	450	22
FD 306	330	355	500	266	455	146	1.100	780	1.110	350	70	285	535	580	520	27
FD 307	590	406	625	310	510	175	1.313	885	1.215	400	75	348	660	750	680	27



AIR WINCHES

SB-SERIES - STANDARD PNEUMATIC WINCHES

OPTIONS	TYPE	Grooved drum	Rope tensioning device with grooved rope drum	Longer rope drum, up to 500 mm
	SB 300	H50206	H50208	H50231
SB 301	H50207	H50209	H50232	
SB 303	H50219	H50217	H50212	
SB 305	H50219	H50217	H50238	
SB 306	H50220	H50217	H50213	
SB 307	H50220	H50218	H50239	
SB 309	H50221	H50218	H50214	
SB 310	H50222	H50218	H50215	
SB 311	H50222	H50218	H50247	
SB 313	H50223	H50392	H50216	
SB 315	H50390	H50233	H50393	
SB 316	H50391	H50233	H50394	

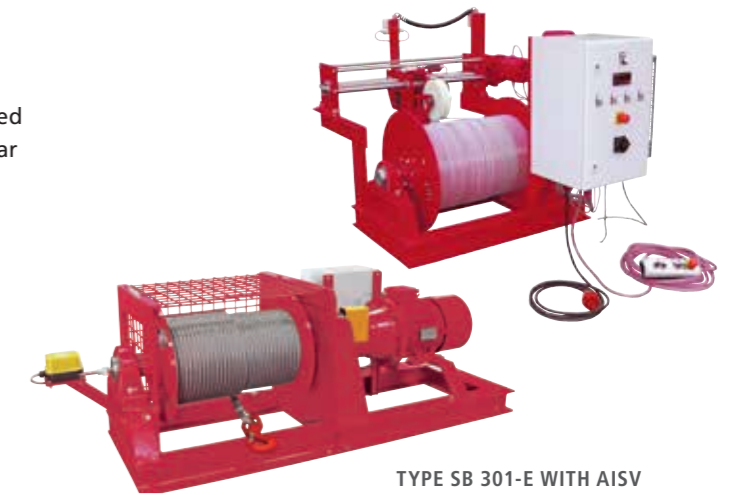


Type	Weight kg	Dimensions (mm)																		
		D1	D2	L1	L2	L3 (E)	L3 (H)	L3 (P)	L4	L6	L7	L8	L9	H1	H2	H3	W1	W2	HEB	Hole Ø
SB 300	250	152	325	500	135	1450	-	1450	385	80	540	80	20	100	215	520	500	460	100	14
SB 301	250	191	375	500	155	1.450	-	1450	405	80	540	80	20	100	215	520	500	460	100	14
SB 304	400	241	430	500	155	1600	1350	1650	405	80	550	80	20	100	260	610	600	560	100	14
SB 305	400	273	490	500	155	1650	1350	1800	405	80	550	80	20	100	260	610	600	560	100	14
SB 306	510	324	580	500	165	1800	1450	1850	415	80	560	80	20	100	310	710	700	660	100	18
SB 307	790	394	680	500	200	1950	1550	1900	450	100	560	100	25	120	360	830	800	750	120	20
SB 309	1100	419	730	500	230	2000	1550	1900	480	110	560	110	30	140	435	1000	1000	940	140	22
SB 310	1420	495	860	500	235	2100	1600	1950	485	120	590	120	40	160	460	1070	1100	1040	160	26
SB 311	1740	546	960	500	259	2150	1600	1950	509	120	590	120	40	160	510	1170	1150	1090	160	30
SB 313	2320	572	1020	500	260	2150	1700	1950	510	120	590	120	40	180	585	1340	1350	1280	180	32
SB 315	3400	711	1350	500	299	2600	2050	-	549	140	590	140	40	200	685	1560	1550	1470	200	36
SB 316	2900	711	1400	500	299	2650	2100	-	549	140	590	140	40	200	710	1610	1600	1520	200	36

AIR WINCHES

SB-SERIES - STANDARD PNEUMATIC WINCHES

The standard build SB type winch provides the basis of the solution to many pulling and lifting winch applications. The winch is constructed in the conventional manner with motor, gearbox and drum in line. When it comes to the need of a shorter design the SB winch is available with an angular gearbox. The choice of the rope complies with the pulling force in the 5th rope layer. The drum is build according classification 1Am. The drum diameter is at least 16-times bigger than the diameter of the indicated rope diameter. Although the name of this winch indicates different, these winches are very suitable to fit to your specific winch application and can be equipped with different drums, other gearboxes or motors. Many options can be offered on these highly versatile winches. The standard version comes without rope and control.



TYPE SB 301-E WITH AISV

Standard features

- Heavy duty planetary gearbox
- SB-LPR; radial piston type air motor complete with hand control valve and mufflers
- SB-LG; gear type air motor complete with hand or remote control valve and mufflers
- Steel drum with rope fixing point at flange
- Two drum supports
- Double layer 2 component coating, colour RAL 5010

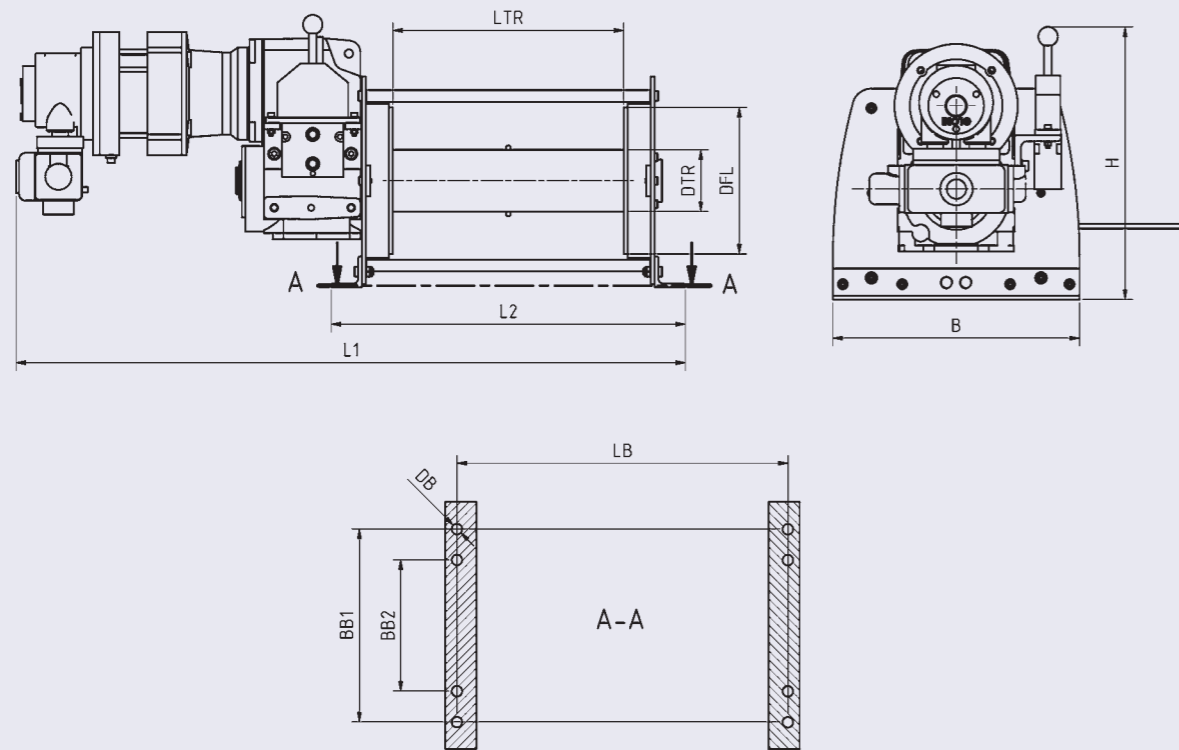
Available winch options

- Alternative drum dimensions / split drums / additional rope anchors /etc.
- Explosion proof motors
- Protective steel motor cover
- Drum pressure roller, spooling gears, grooved drums
- Band brakes (manual or failsafe automatic)
- Manual disengaging clutch
- Alternative speeds
- Alternative supply voltages
- Drum guards
- Manual emergency crank
- Slip ring mounting
- Warping head
- Angular gear

Available control options

- Load limiter (required by CE for applications exceeding 1000 kg W.L.L.)
- Frequency inverter for variable speed control
- Wireless radio remote control systems
- Limit switches
- Slack wire switches
- Proportional local or remote control valve (pneumatic or hydraulic)
- Motor overheating protection

Type	Lifting capacity 1st layer kg	Lifting capacity 5th layer kg	Recommended rope diameter mm	Rope speed 1st layer m/min.	Rope speed 5th layer m/min.	Drum storage 1st layer m	Drum storage 5th layer m	Air pressure drop in bar	Air consumption l/min.
SB 300-LPR2	1200	845	10	11	16	26	168	7	90
SB 301-LPR2	2100	1435	12	7	10	24	157	7	90
SB 303-LPR2	2500	1740	14	6	9	26	165	7	90
SB 303-LPR3	2500	1740	14	12	17	26	165	7	140
SB 305-LPR3	4000	2770	16	9	13	25	161	7	150
SB 305-LPR4	4000	2770	16	15	21	25	161	7	240
SB 306-LPR4	5500	3970	18	10	14	28	181	7	240
SB 307-LPR4	7000	4960	22	8	11	26	171	7	240
SB 307-LG6	7000	4960	22	13	18	26	171	7	350
SB 309-LPR4	9000	6285	26	6	9	24	163	7	220
SB 309-LG6	9000	6285	26	10	14	24	163	7	350
SB 310-LG6	12000	8460	28	7	10	24	168	7	350
SB 311-LG6	16000	10655	34	5	7.5	19	144	7	350
SB 313-LG6	20000	13610	38	4	6	19	151	7	350



TYPE PFW-L-1D/ PFW-L-2D	500	750	1000	1500	2000	3000	
L1	890	980	1050	1110	1210	1275	approx. mm
L2	460	460	500	500	570	570	mm
B	320	360	400	460	550	620	mm
H	330	410	460	540	620	680	approx. mm
LTR	190	220	250	310	370	430	mm
DTR 1D/2D	80/160	92/185	106/210	130/260	155/310	186/350	mm
DFL	190	220	250	310	370	430	mm
LB	430	430	460	460	520	520	mm
BB1	250	310	350	410	500	560	mm
BB2	-	-	220	280	320	380	mm
DB	13,5	13,5	13,5	13,5	17,5	17,5	mm
Weight	50	80	105	140	230	355	approx. kg

For pneumatic winch applications, demanding a modular and solid provides the solution. The use of vane type motors and spring applied pneumatic disc brakes ensures trouble free operation and low maintenance requirements. These winches find their use in general industry, oil and gas exploration and in many places where compact, explosion proof hoisting gear is required. Because of the modular design of the PFW winch also the pneumatic version can be delivered with short delivery times.

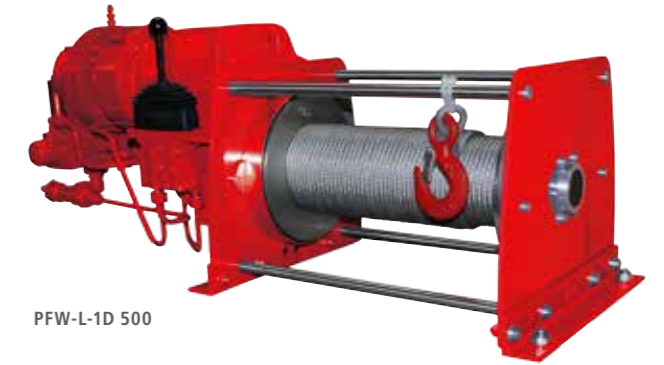
Faster rope speeds are available upon request.

Standard features

- High efficiency spur gear box
- Rotary vane motor with pneumatic fail-safe disc brake
- Steel drum (not grooved) with rope fixing point at flange
- Two drum supports
- Double layer 2 component coating, colour RAL 5010

Classification

II 2 GD IIA c T4 135°C



PFW-L-1D 500

Available winch options

- Manual disengaging clutch
- Grooved drum
- Drum pressure roller
- Alternative speeds
- Alternative drum dimensions / split drums / additional rope anchors / etc.
- Drum guard
- Marine / offshore coating systems
- Proportional control valve, local or remote
- Pneumatic limit switch
- Pneumatic slack wire switch

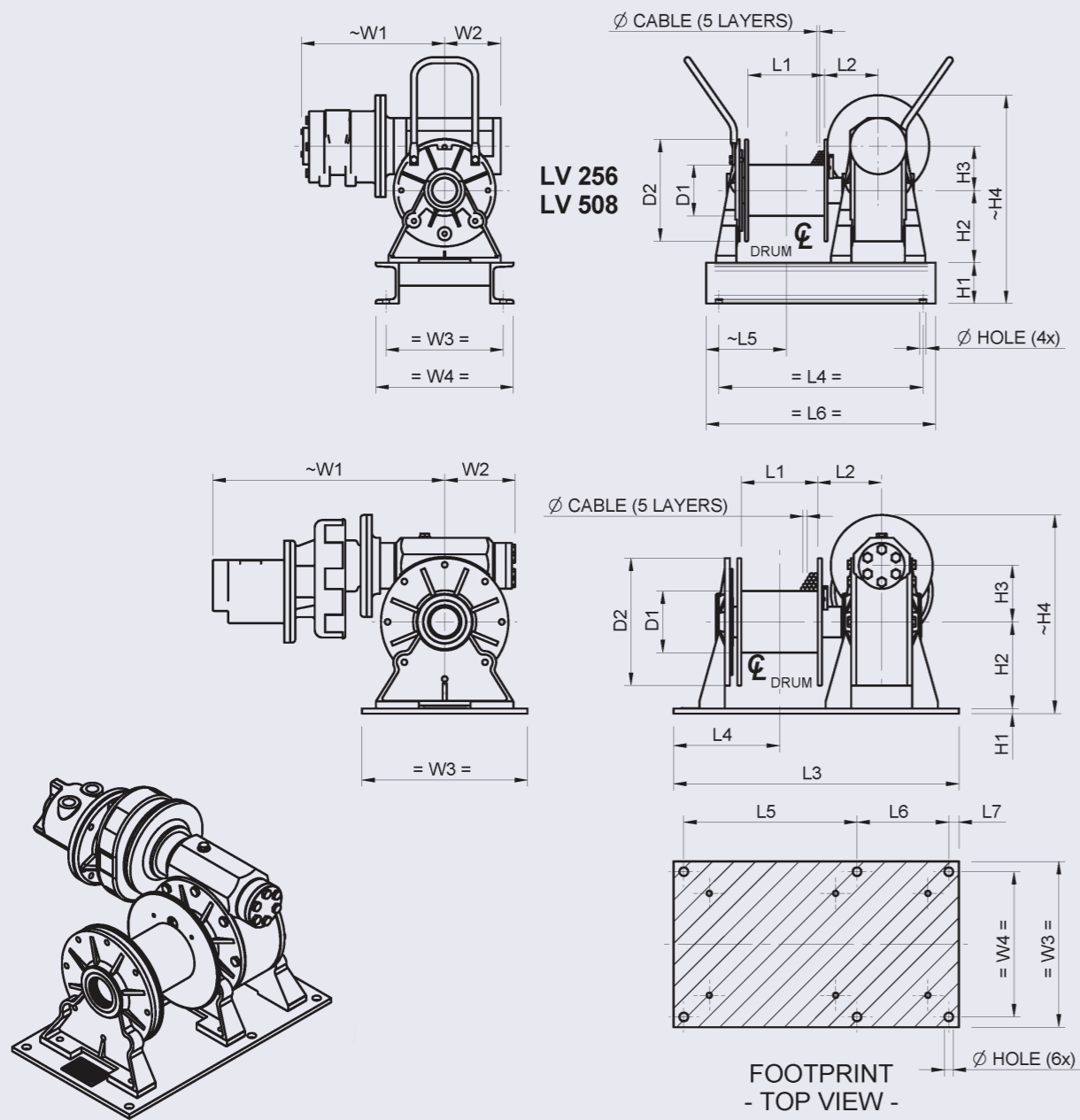
Type PFW-L-1D	500	750	1000	1500	2000	3000	
Lifting capacity in 1st rope layer	500	750	1000	1500	2000	3000	kg
Lifting capacity in 5th rope layer	320	480	640	950	1270	1920	kg
Rope diameter	6	7	8	10	12	14	mm
Rope length in 1st rope layer	11	11	10	10	9	9	m
Rope length in 5th rope layer	75	75	75	75	75	75	m
Expansion every 100 mm extended drum 1st/5th layer	4/25	4/25	4/25	4/25	4/25	4/25	approx. m
Rope speed in 1st rope layer	9	10	8	12	8	5	approx. m/min
Rope speed in 5th rope layer	14	15	13	18	12	8	approx. m/min
Motor power	1.8	2.2	2.2	3.5	3.5	3.5	kW
Air pressure	6	6	6	6	6	6	bar
Air consumption	45	55	55	80	80	80	l/min
PFW-L-1D with standard speed	H62711	H62721	H62731	H62741	H62751	H62761	Order No.

Type PFW-L-2D	500	750	1000	1500	2000	3000	
Lifting capacity in 1st rope layer	250	375	500	750	1000	1500	kg
Rope diameter	6	7	8	10	12	14	mm
Rope length in 1st rope layer	20	20	20	19	18	17	m
Expansion every 100 mm extended drum 1st layer	7	7	7	7	7	7	approx. m
Rope speed in 1st rope layer	18	19	15	22	15	9	approx. m/min
Motor power	1.8	2.2	2.2	3.5	3.5	3.5	kW
Air pressure	6	6	6	6	6	6	bar
Air consumption	45	55	55	80	80	80	l/min
PFW-L-2D with standard speed	H62811	H62821	H62831	H62841	H62851	H62861	Order No.

SECTION 11 AIR WINCHES

LV-SERIES - PNEUMATIC WORMGEAR WINCHES

DIMENSIONS IN MM



Type	Weight kg	D1 mm	D2 mm	L1 mm	L2 mm	L3 mm	L4 mm	L5 mm	L6 mm	L7 mm	H1 mm	H2 mm	H3 mm	H4 mm	W1 mm	W2 mm	W3 mm	W4 mm	Loch-Ø
LV-256	58	100	200	150	105,5	450	157	400	-	-	80	142	86,9	408,9	278	110	270	230	13
LV-425	59	100	200	150	105,5	500	186	320	150	15	10	142	86,9	408,9	374	110	270	240	13
LV-5008	65	100	200	150	105,5	450	157	400	-	-	80	142	86,9	408,9	281	110	270	230	13
LV-750	93	121	250	150	125,5	560	208	340	180	20	10	170	110	390	455	132	325	285	17
LV-1250	149	159	280	200	146,5	640	232,5	415	185	20	15	195	130	440	490	154,3	370	320	17
LV-2000	192	178	320	250	155	710	265	470	200	20	15	220	150	510	609	154	410	360	17

All measurements are in mm / Information subject to change without notice

SECTION 11 AIR WINCHES

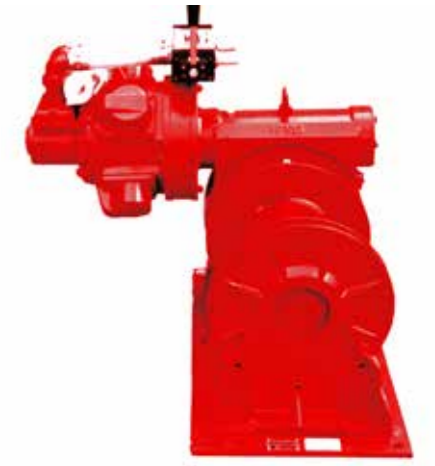
LV-SERIES - PNEUMATIC WORMGEAR WINCHES

For pneumatic applications demanding light weight construction, this range of explosion proof winches provides the solution.

The use of van type motors and inherently safe self braking worm gears ensures trouble free operation and low maintenance. These winches find their use in general industry, oil and gas exploration, and in many places where compact explosion proof hoisting gear is required.

The range includes two fast speed types, the LV-256 and LV-508, which also have optional carrying handles, and slower speed types up to 2000 kg lifting capacity.

The self braking characteristics of the worm gear drive combined with closed ports is sufficient for almost all hoisting purposes. For accurate positioning of a load an additional brake may be necessary. Please consult our sales department in this case.



LV-series

Standard features

- Self braking worm gear transmission
- Rotary van motor
- Steel drum (not grooved) with cable fixing point at flange
- Two drum supports
- Single layer 1 component conservation (colour BS 20 medium blue)

Options

- Manual disengaging clutch
- Brand brake, manual or automatic safe
- Grooved drum
- Drum pressure roller
- Alternative speeds
- Alternative drum dimensions / split drums / additional rope anchors, etc.
- Motor position vertically up
- Drum guard
- Emergency cranking
- Marine / offshore coating system

Available control options

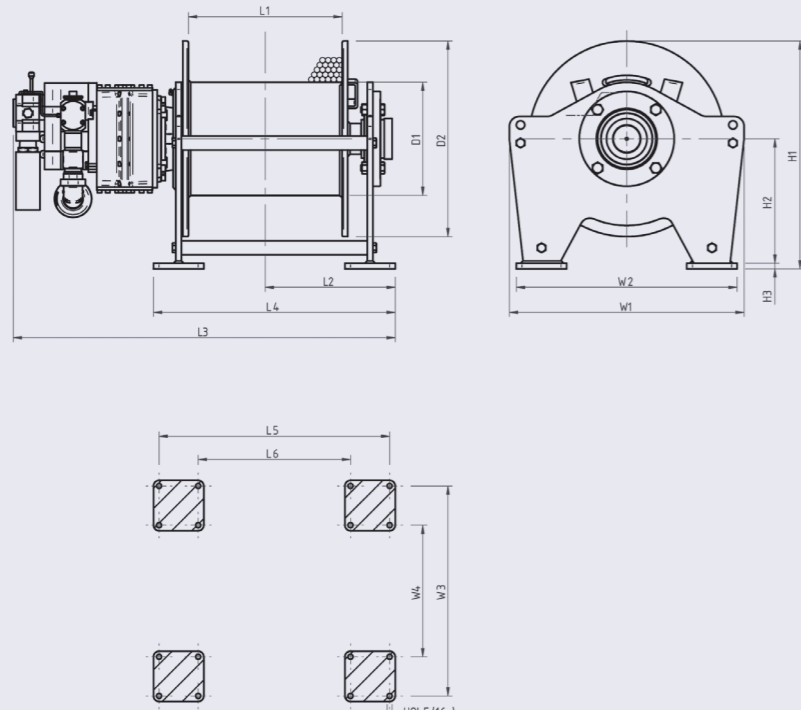
- Proportional control valve, local or remote
- Pneumatic limit switch
- Pneumatic slack wire switch

Type	Brand	Capacity 1st. layer kg	Capacity 3st. layer kg	Cable diameter mm	Speed 1ste. layer m/min	Speed 1st. layer m	Drum cap. 3rd. layer m	Air cons. l/sec	pressure drop bar
LV 256	RRI	250	200	5	12	10	32	45	6
LV 508	RRI	500	400	7	12	6	22	80	6
LV 425	RRI	425	350	6	5	10	32	35	6
LV 750	RRI	750	600	8	5,5	7	25	65	6
LV 1250	RRI	1.250	1.000	10	6	11	36	95	6
LV 2000	RRI	2.000	1.550	13	6	11	38	125	6

SECTION 11 AIR WINCHES

OAW-SERIES - OFFSHORE AIR WINCHES

DIMENSIONS IN MM



Type	Weight kg	D1 mm	D2 mm	L1 mm	L2 mm	L3 mm	L4 mm	L5 mm	L6 mm	H1 mm	H2 mm	H3 mm	W1 mm	W2 mm	W3 mm	W4 mm	Hoel diam.
OAW 1.5/2.0	350	305	500	400	322	934	620	590	370	610	345	15	640	550	520	300	14
OAW 2.5 LV	460	305	550	410	375	1.009	695	655	415	665	370	20	690	620	580	340	14
OAW 2.5 GP10/16	660	305	550	410	375	1.243	695	655	415	665	370	20	690	620	580	340	14
OAW 3.5	840	355	700	500	430	1.320	805	765	485	815	445	20	840	790	750	470	18
OAW 5.0	945	405	700	550	465	1.369	865	825	545	815	445	20	840	790	750	470	18
OAW 6.5/7.0	1180	405	750	610	528	1.451	975	925	625	870	470	25	930	860	810	510	26
OAW 8.5	1.415	455	850	690	582	1.551	1.070	1.020	720	970	520	25	1.030	960	910	610	26
OAW 10.5	1.730	508	950	720	616	1.679	1.130	1.080	740	1.070	570	25	1.130	1.080	1.030	690	26

All measurements are in mm / Information subject to change without notice

SECTION 11 AIR WINCHES

OAW-SERIES - OFFSHORE AIR WINCHES

A range of compact lifting and pulling air winches specially designed for offshore applications and any other hazardous environment where space is limited. The heavy duty planetary gearbox and brake are mounted within the drum core, which both save space and protect from any external damage. Winches designed to meet independent third party requirements, like Lloyds, ABS, DNV etc.

These standard winches can be fitted with several options and accessories. Various winches can be man riding prepared.

Standard features

- Heavy Duty planetary gearbox integrated in gearbox
- Proportional based throttle valve
- Exhaust silence mufflers
- Steel drum. length 610 mm with cable fixing point at flange
- Two drum supports
- Standard temp. range -10° to 50°C
- Oil bath disc brake
- Lifting lugs
- Offshore multi layer 2 component conservation (colour RAL 1023 yellow)

Available control options

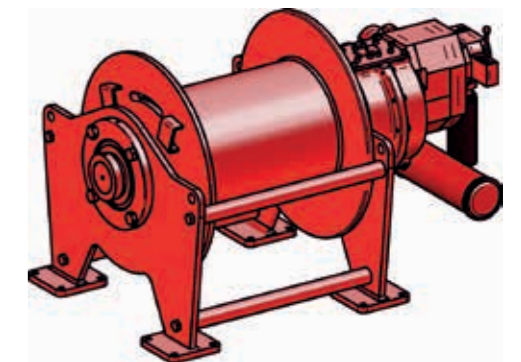
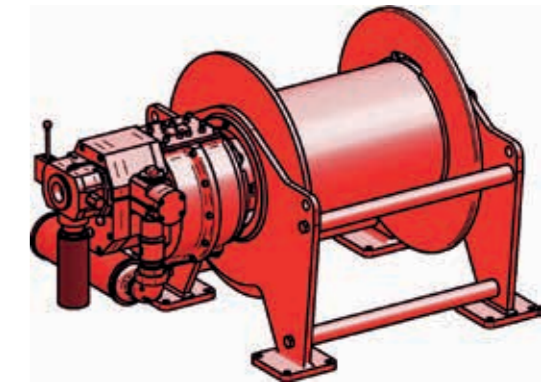
- Emergency main shut off valves
- Load limiter (required by CE regulation above 1.000 kg W.L.L.)
- Proportional remote control valve
- Slack wire switches (pneumatic)
- Limit switches (pneumatic)
- Frame dimensions as IR, Atlas, Beebe, Chicago or Gardner
- Endstop

Options

- Alternative drum lengths
- Grooved drums
- Alternative drum dimensions
- Band brakes (manual or automatic fail safe)
- Special temp. range -40° tot +50°C
- Spooling gears
- Drum pressure roller
- Natural gas given

Type	Brand	Capacity 1st. layer kg	Capacity 5th. layer kg	Rope diameter mm	Speed 3rd layer m/min	Drum cap. 5th. layer m	Pressure drop bar	Air cons. l/sec
OAW1.5 LV	RRI	1.955	1.500	12	20	178	6,5	150
OAW2.0 LV	RRI	2.655	2.000	13	13	167	6,5	150
OAW2.5 LV	RRI	3.500	2.500	16	10	144	6,5	150
OAW2.5 GP10	RRI	3.500	2.500	16	19	144	7	300
OAW3.5 GP16	RRI	3.500	2.500	16	30	144	7	350
OAW3.5 GP10	RRI	4.850	3.500	18	14	181	7	300
OAW3.5 GP16	RRI	4.850	3.500	18	21	181	7	350
OAW5.5 GP10	RRI	6.800	5.000	19	10	212	7	300
OAW5.0 GP16	RRI	6.800	5.000	19	15	212	7	350
OAW6.5 GP16	RRI	9.180	6.500	22	12	209	7	350
OAW7.0 GP10	RRI	9.885	7.000	22	7	209	7	300
OAW7.0 GP16	RRI	9.885	7.000	22	10	209	7	350
OAW8.5 GP16	RRI	12.160	8.500	26	9	228	7	350
OAW10.5 GP16	RRI	14.890	10.500	28	7	244	7	350

LV = vane motor, GP = gear motor



RRI-SERIES - STANDARD PNEUMATIC WINCHES

Standard winches, RRI-series

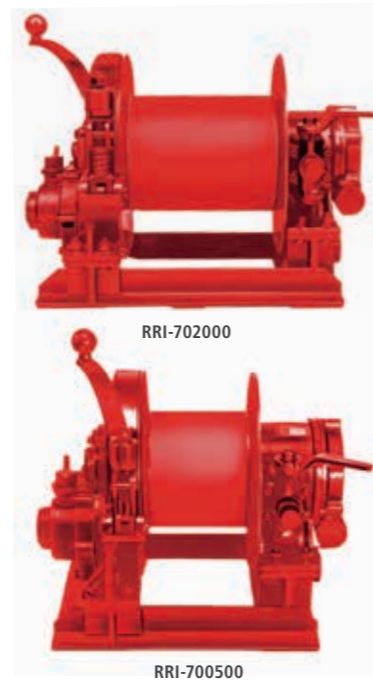
- Vane type motor
- Standard band brake and automatic brake
- Free-wheel
- Very compact design as air motors are partially contained inside the drums
- Rugged but lightweight construction
- Easy installation and removal
- Safety type throttle provides flexible speed control, shuts off automatically when released
- All steel

Application

Pulling of various equipment and loads on ships, offshore, shipyards etc.

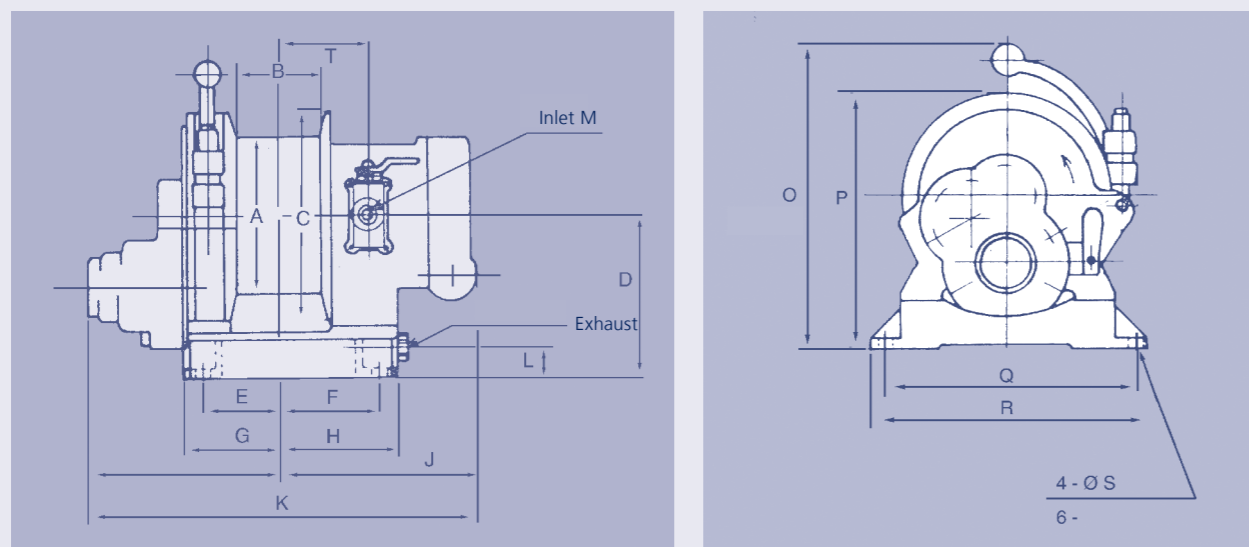
On request

- Silencers
- FRL air treatment, filter-regulator-lubrication



Type	Brand	Capacity t	Drive	Cable length m	Cable diameter mm	Cable speed m/min	Air-consumption l/sec	Weight without cable kg	Hose diameter mm
RRI-700500	RRI	0,5	Pneumatic	100	8	20	57	70	19
RRI-701000	RRI	1,0	Pneumatic	100	10	6,7	57	80	19
RRI-701500	RRI	1,5	Pneumatic	80	12	5,5	57	88	19
RRI-702000	RRI	2,0	Pneumatic	65	16	5,0	70	130	19

DIMENSIONS IN MM



Type	A mm	B mm	C mm	D mm	E mm	F mm	G mm	H mm	I mm	J mm	K mm	L mm	O mm	P mm	Q mm	R mm	S mm	T mm
RRI-700500	180	150	308	225	200	160	220	180	255	219	474	58	455	379	310	350	14	124
RRI-701000	200	243	340	225	254	208	270	226	317	266	583	58	475	395	310	350	14	171
RRI-701500	200	243	340	225	254	208	270	226	317	266	583	58	475	395	310	350	14	171
RRI-702000	300	236	460	286	250	206	270	226	317	266	583	58	587	516	420	460	14	171

All measurements are in mm / Information subject to change without notice

EXTRA EQUIPMENT AND OPTIONS

Wire ropes

RED ROOSTER winches are offered without rope, as the choice for a specific rope highly depends on the location and the application of the winch. As wire ropes for winches is to be selected based on their future use it is important to know all application parameters beforehand.

For the most frequent applications we can work with steel wire ropes according to DIN EN 12385-4 of which the below table gives a choice of recommended wire ropes. Some applications require higher tensile strength or a more durable corrosion protection for which we can supply steel with

1960 N/mm² or higher and stainless steel wires. They differ in twisting, flexibility, duration, breaking strength or twist-free characteristic. For applications with winches using one rope lifting unguided loads, it is for safety reasons advised to use twist-poor ropes. Twist-poor ropes do not twist open under tension.

Wire rope will be supplied loose in a bundle with welded ends and can be equipped: flat welded, to prevent fraying, eye thimble or thimble with load hook. On request, winches can be ordered with wire ropes spooled on the drum.



SIKA swivel load hook, grade 8

Type	Capacity kg	Weight kg	-
WHS-1,25	1.250	0.4	-
WHS-1,6	1.600	0.9	-
WHS-3,2	3.200	1.6	-
WHS-5,4	5.400	3.5	-
WHS-8-8	8.000	6.5	-
WHS-11,5	11.500	8.5	-



SIKA hook with eye, grade 8

Type	Capacity kg	Weight kg	-
OHS-06	1.120	0.6	-
OHS-08	2.000	1.0	-
OHS-10	3.150	1.5	-
OHS-13	5.300	3.5	-
OHS-16	8.000	5.5	-
OHS-20	12.500	7.6	-



Stainless steel swivel load hook, grade 8

Type	Capacity kg	Weight kg	-
WHN-025	250	0.2	-
WHN-05	500	0.3	-
WHN-1	1.000	1.0	-
WHN-2,4	2.400	1.4	-
WHN-3,8	3.850	2.3	-
WHN-5	5.000	3.8	-



Stainless steel hook with eye, grade 8

Type	Capacity kg	Weight kg	-
OHN-025	250	0.1	--
OHN-045	450	0.2	-
OHN-1,5	1.500	0.8	-
OHN-2,4	2.400	1.4	-
OHN-3,8	3.850	3.0	-
OHN-5	5.000	4.8	-

EXTRA EQUIPMENT AND OPTIONS

Galvanised steel wire ropes

	Robust winch rope with independent wire rope core	High tensile lifting rope, twist-poor
	TYPE	TYPE
Rope diameter mm	6 x 19 + IWRC 6 x 36 + IWRC (as of 10 mm) 1960 N/mm ² galvanised, non-rotation resistant	17 x 7 + IWRC 1960 N/mm ² galvanised, rotation resistant
	Min. breaking force kN	Min. breaking force kN
4	10,4	10,3
5	16,2	16,1
6	23,4	23,1
7	31,8	31,5
8	41,6	41,1
9	52,7	52,1
10	69,8	64,3
11	84,4	77,8
12	100,5	92,6
13	118	109
14	136,8	126
16	178,7	165
18	226,2	208
20	279,3	257
22	337,9	-
24	402,2	-
26	472	-
28	547,4	-

High-strength galvanised shackle

Capacity t	Nominal size, inches	Bore (A) mm	Bolt-Ø (B) mm
*0,33	³ / ₁₆	9,65	6,35
0,5	¹ / ₄	11,9	7,87
0,75	⁵ / ₁₆	13,5	9,65
1	³ / ₈	16,8	11,2
1,5	⁷ / ₁₆	19,1	12,7
2	¹ / ₂	20,6	16
3,25	⁵ / ₈	26,9	19,1
4,75	³ / ₄	31,8	22,4
6,5	⁷ / ₈	36,6	25,4
8,5	1	42,9	28,7
9,5	1 ¹ / ₈	46	31,8
12	1 ¹ / ₄	51,5	35,1
13,5	1 ³ / ₈	57	38,1
17	1 ¹ / ₂	60,5	41,4
25	1 ³ / ₄	73	51
35	2	82,5	57
55	2 ¹ / ₂	105	70

* Only as eye bolt available.

Stainless steel wire ropes

	Corrosion resistant rope	Corrosion resistant rope
	TYPE	TYPE
Rope diameter mm	7 x 19 1570 N/mm ² stainless steel (V4A) non-rotation resistant	18 x 7 1570 N/mm ² stainless steel (V4A) rotation resistant
	Min. breaking force kN	Min. breaking force kN
4	8,34	9
5	13	13
6	18,7	19
7	25,5	27
8	33,3	34
9	-	-
10	52,1	53
11	-	-
12	75	77
13	-	-
14	102	107
16	133	135
18	-	-
20	-	-
22	-	-
24	-	-
26	-	-
28	-	-

Design A
G 209
(curved)
with eye bolt



Design B
G 210
(straight)
with eye bolt



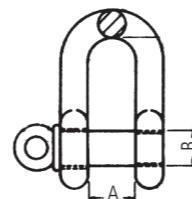
Design C
G 2130
(curved with nut
and cotter pin)



Design D
G 2150
(straight with nut
and cotter pin)



Dimensions



EXTRA EQUIPMENT AND OPTIONS

Wire rope block, single-roll, hinged

Load bearing capacity at hook t	Roller outer Ø mm	Roller basic Ø mm	Max. wire rope Ø mm	Housing width mm	Base width mm	Axis length mm	Installation length at hook mm	Weight approx. kg
1	100	80	7	130	30	81	410	5
1.6	125	105	9	150	33	86	440	7
3	150	125	11	165	41	113	525	12
5	175	145	12	210	45	130	680	23
5	200	170	15	210	45	130	680	24
8	225	185	16	265	52	150	785	38,5
8	250	210	18	265	52	150	785	40,5



Wire rope block, double-roll

Load bearing capacity at hook t	Roller outer Ø mm	Roller basic Ø mm	Max. wire rope Ø mm	Housing width mm	Base width mm	Axis length mm	Installation length at hook mm	Weight approx. kg
0.5	100	80	7	130	25	55	350	3,5
1	125	105	9	150	30	61	390	4,5
2	150	125	11	165	33	73	435	7,5
3	175	145	12	210	41	90	580	15
3	200	170	15	210	41	90	580	15,5
5	225	185	16	265	45	105	700	24
5	250	210	18	265	45	105	700	25
8	310	260	23	325	52	120	810	41



Wire rope block, single-roll

Load bearing capacity at hook t	Roller outer Ø mm	Roller basic Ø mm	Max. wire rope Ø mm	Housing width mm	Base width mm	Axis length mm	Installation length at hook mm	Weight approx. kg
0.5	100	80	7	130	25	55	385	3,5
1	125	105	9	150	30	55	430	4,5
2	150	125	11	165	33	65	500	7,5
3	175	145	12	210	41	82	640	15
3	200	170	15	210	41	82	640	15,5
5	225	185	16	265	45	85	740	24
5	250	210	18	265	45	85	740	25
8	310	260	23	325	52	110	890	45

Other sizes on request.



WINCH INQUIRY CHECKLIST

PLEASE PHOTOCOPY AND SEND A MAIL!

Winch Inquiry Checklist

1. Kind of drive and quantity

- manually
- pneumatic, Flow volume l / sec / bar
- Quantity: pieces

2. Site of Operation and capacity

- Pulling winch with daN pulling force and rope length
- Lifting winch with kg lifting capacity and m rope length
- Traversing winch with daN pulling force and m rope length
- Capstan winch with daN pulling force
- Traction winch with daN pulling force

If the pulling or lifting capacity is not known, please describe your application with the length of the path, weight of load and rolling conditions for your pulling applications. For lifting applications please also describe the angle or slope of the path.

.....

.....

.....

3. Rope speed

- slow (1-5 m/min) medium (5-15 m/min)
- fast (> 15 m/min) exactly m / min
- adjustable from m / min up to m / min
- 2-speed m / min and m / min

4. Site of Operation

- Distance to the first reeving m
- inside outside outside with seawater

5. Load type

- Goods Pending goods above people
- Goods to be moved above people People

6. Winch options

- Rope m Rope supplied loose
- Rope spooled on winch Rope-end, plain
- Rope-end with thimble Load hook
- Grooved drum Pressure roller
- Spindle limit switch Slack wire switch
- Disengaging clutch Spooling gear
- Drum guard
- Brake acting on drum mechanic or
- Brake acting on drum automatic
- Emergency crank Manual brake release
- Two rope exits with m distance
- More rope exits like shown on sketch
- Explosion-proof protection class

7. Operation

- Push buttons in the control panel door
- Pendant control with m control cable
- Radio Remote control
- Wall-mounted push-button
- Foot pedal
- Several with selector switch in the control panel door

10. Other requirements

.....

.....

.....

11. Please sketch your application here

Company name:

Personal name:

Phone:

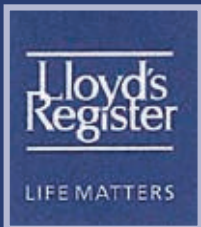
Fax:

Email:

COMPANY STAMP

Base unit	Multiplication	Calculation
Pressure		
Kilograms per square cm	14,226	Pounds per square inch
Bar	14,503	Pounds per square inch
Pounds per square inch (psi)	0,6984	Bar
Pounds per square inch (psi)	0,0703	Kilograms/cm ²
Flow		
Cubic foot per minute (cfm)	0,02832	Cubic metres per minute (m3/min)
Cubic foot per minute (cfm)	0,4719	Litre per second (l/sec)
Litre per second (l/sec)	2,118	Cubic foot per minute (cfm)
Litre per second (l/sec)	0,001	Cubic metre per second (M3/sec)
Cubic metre per minute (M3/min)	16,6666	Litre per second (l/sec)
Cubic metre per minute (M3/min)	3,3146	Cubic foot per minute (cfm)
Weight		
Pounds (lbs)	0,4536	Kilograms (kg)
US Ton	0,9072	Tonne
Imperial Ton	1016,0469	Kilograms (kg)
Kilograms (kg)	2,204622	Pounds (lbs)
Tonne	1000	Kilograms (kg)
Speed		
Miles/hour	1,60934	Kilometres/hour
Kilometres/hour	0,62137	Miles/hour
Metres/second	3,28084	Feet/second
Feet/second	0,3048	Metres/second
Length		
Inches (in)	25,4	Millimetres (mm)
Feet (ft)	304,8	Millimetres (mm)
Yards (yd)	0,9144	Metres (m)
Miles	1,60934	Kilometres (km)
Centimetres (cm)	0,3937	Inches (in)
Metres (m)	3,28084	Feet (ft)
Metres (m)	1,093613	Yards (yd)
Kilometres (km)	0,621371	Miles

LLOYDS REGISTER



Lloyd's Register

All RED ROOSTER air chain hoists can be delivered with a Lloyd's Register certificate.

TESTING



In our professional workshop we have a fully equipped dynamic test rig. This test rig is calibrated and certified according to the European standard NEN - EN 818.

With this dynamic test rig, we can test all our hoist models at 150% overload, it is a dynamic test and this is the heaviest condition for testing incorporating the dynamic effects that a load can put on the hoist.

